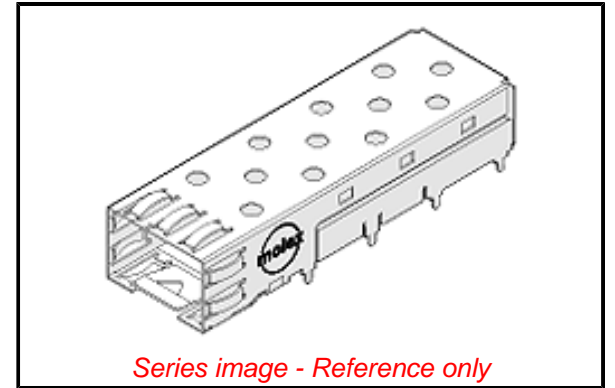


PLEASE CHECK WWW.MOLEX.COM FOR LATEST PART INFORMATION

Part Number: **0747370009**
Status: **Active**
Overview: SFP+ and SFP Interconnect Solutions
Description: SFP One Piece Cage, EMI Shielding, 3.05mm Press-Fit Tails

Documents:

3D Model	Product Specification PS-74737-8001-001 (PDF)
Drawing (PDF)	Application Specification AS-74737-001-001 (PDF)
3D Model (PDF)	RoHS Certificate of Compliance (PDF)
Product Specification PS-74737-0010-001 (PDF)	



Application tooling part link

Application Tooling Part Link	62202-9745
Application Tooling Part Link	62202-9750

General

Product Family	EMI Cages
Series	74737
Application	Module-to-Board
Component Type	Cage Assembly
Overview	SFP+ and SFP Interconnect Solutions
Product Name	SFP
UPC	822350185813

Physical

EMI Panel / Bezel Mount	Spring Fingers
Light Pipes per Port	0
Material - Metal	Copper Alloy
Net Weight	4.309/g
Orientation	Horizontal
Packaging Type	Tray
Port Configuration	1x1
Rear Legs	3
Termination Interface: Style	Through Hole - Compliant Pin
Thermal Height	N/A
Thermal Solutions	Closed Top

Solder Process Data

Lead-free Process Capability	SMC&WAVE
Process Temperature max. C	265

Material Info

Engineering Number	73927-0009
--------------------	------------

Reference - Drawing Numbers

Application Specification	AS-74737-001-001
Product Specification	PS-74737-0010-001, PS-74737-8001-001
Sales Drawing	747370009-ASY, SD-74737-0009-001, SD-74737-009-001, SD-74737-020-001

EU ELV

Compliant

EU RoHS

Compliant

REACH SVHC

Not Contained Per -
D(2021)4569-DC (8
July 2021)

Halogen-Free

Status

Low-Halogen

For more information, please visit [Contact US](#)

China ROHS

ELV

RoHS Phthalates

China RoHS

Green Image

Compliant

Not Contained

Search Parts in this Series

[74737](#) Series

Mates With

[74720](#) SFP Copper Module, [73929](#) SFP
Cable Assembly, Passive, 2 Gbps, [73930](#)
SFP Cable Assembly, Active, 2 Gbps, [74742](#)
SFP Cable Assembly, Passive, 4 Gbps,
[74743](#) SFP Cable Assembly, Active, 4 Gbps

Use With

[74441](#) Connector

X-ON Electronics

Largest Supplier of Electrical and Electronic Components

Click to view similar products for [I/O Connectors](#) category:

Click to view products by [Molex](#) manufacturer:

Other Similar products are found below :

[571763P](#) [58098-0628](#) [72.250.1628.2](#) [72.250.2428.2](#) [74720-0505](#) [76.350.0729.0](#) [76871-1403](#) [FCN-244F080-G/1](#) [FCN-260A9920](#) [PCR-E36PM](#) [PCS-XE26MA+](#) [G38A71314B](#) [1571250010](#) [157-22500-3](#) [MS3471L14-19P L/C](#) [192991-0703](#) [172501-4002](#) [172501-6002](#) [FCN-260C008-A/L0](#) [FCN-260C024-AL0](#) [FCN-261Z008](#) [2000314-1](#) [200331-1](#) [PCR-E36FC+](#) [PCS-E28FS+](#) [PCS-XE26SLFD+](#) [PCS-XE26SLFDT+](#) [G730VID08BDC24](#) [U90B2054081210](#) [UE86K842720321](#) [38113800006](#) [DP3AR020WQ1R200](#) [Z4.102.0680.0](#) [500-1040](#) [500-1052](#) [500-1054](#) [ZP-4008-66L](#) [0709821002](#) [DX40-20P\(55\)](#) [5554841-1](#) [MS3474W18-8P-LC*](#) [U90B3054061110](#) [U65-E04-4020](#) [ZPF00000000097891](#) [747360449](#) [10099439-003C-TRLF](#) [10137239-0021LF](#) [E9320-001-01](#) [10137239-0011LF](#) [70289-001LF](#)