

PLEASE CHECK WWW.MOLEX.COM FOR LATEST PART INFORMATION

Part Number: [0747540021](#)
Status: **Active**
Overview: SFP+ and SFP Interconnect Solutions
Description: SFP+ Cage Lightpipe Cover Assembly, 1-by-2

Documents:

3D Model	Product Specification 747540001-PS1 (PDF)
Drawing (PDF)	Packaging Specification PK-74754-0021-001 (PDF)
3D Model (PDF)	RoHS Certificate of Compliance (PDF)

General

Product Family	EMI Cages
Series	74754
Application	N/A
Component Type	Lightpipe
Overview	SFP+ and SFP Interconnect Solutions
Product Name	SFP Plus
UPC	883906187255

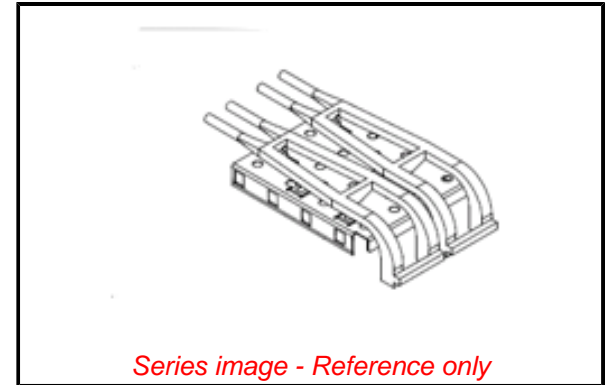
Physical

EMI Panel / Bezel Mount	N/A
Light Pipes per Port	2
Material - Metal	N/A
Net Weight	5.326/g
Orientation	Horizontal
Packaging Type	Tray
Port Configuration	1x2
Rear Legs	0
Termination Interface: Style	N/A
Thermal Height	N/A
Thermal Solutions	N/A

Material Info

Reference - Drawing Numbers

Packaging Specification	PK-74754-0021-001
Product Specification	747540001-PS1
Sales Drawing	747540021-ASY



EU ELV

Compliant

EU RoHS

Compliant

REACH SVHC

Not Contained Per -
D(2021)4569-DC (8
July 2021)

Halogen-Free

Status

Not Low-Halogen

For more information, please visit [Contact US](#)

China ROHS

ELV

RoHS Phthalates

China RoHS

Green Image

Compliant

Not Contained

Search Parts in this Series

[74754 Series](#)

X-ON Electronics

Largest Supplier of Electrical and Electronic Components

Click to view similar products for [I/O Connectors](#) category:

Click to view products by [Molex](#) manufacturer:

Other Similar products are found below :

[571763P](#) [58098-0628](#) [72.250.1628.2](#) [72.250.2428.2](#) [74720-0505](#) [76.350.0729.0](#) [76871-1403](#) [FCN-244F080-G/1](#) [FCN-260A9920](#) [PCR-E36PM](#) [PCS-XE26MA+](#) [G38A71314B](#) [1571250010](#) [157-22500-3](#) [MS3471L14-19P L/C](#) [192991-0703](#) [172501-4002](#) [172501-6002](#) [FCN-260C008-A/L0](#) [FCN-260C024-AL0](#) [FCN-261Z008](#) [2000314-1](#) [200331-1](#) [PCR-E36FC+](#) [PCS-E28FS+](#) [PCS-XE26SLFD+](#) [PCS-XE26SLFDT+](#) [G730VID08BDC24](#) [U90B2054081210](#) [UE86K842720321](#) [38113800006](#) [DP3AR020WQ1R200](#) [Z4.102.0680.0](#) [500-1040](#) [500-1052](#) [500-1054](#) [ZP-4008-66L](#) [0709821002](#) [DX40-20P\(55\)](#) [5554841-1](#) [MS3474W18-8P-LC*](#) [U90B3054061110](#) [U65-E04-4020](#) [ZPF00000000097891](#) [747360449](#) [10099439-003C-TRLF](#) [10137239-0021LF](#) [E9320-001-01](#) [10137239-0011LF](#) [70289-001LF](#)