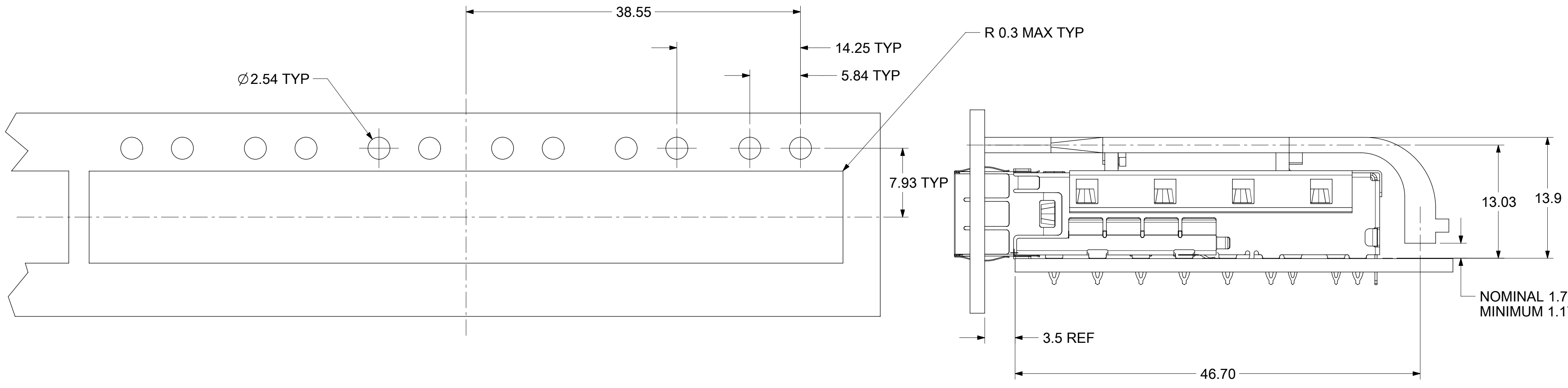
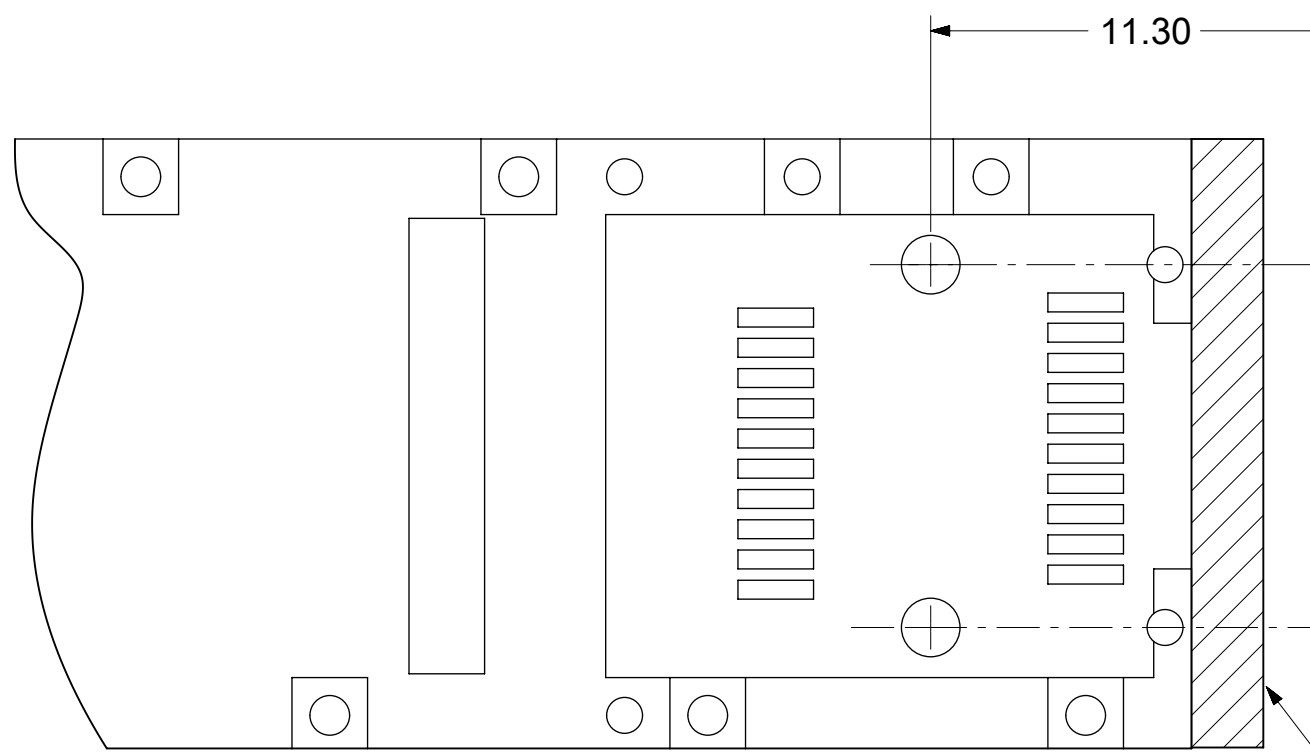


1. MATERIAL:
COVER: COPPER ALLOY
LIGHT PIPE: POLYCARBONATE (94-V0 RATED)
2. THIS LIGHT PIPE ASSEMBLY IS TO BE USED WITH THE SFP+ 1X6 CAGE ASSEMBLY P/N 7475406**
3. IT IS RECOMMENDED THAT THE CAGE BE PRESSED INTO OR SOLDERED TO THE PCB PRIOR TO ASSEMBLING THE LIGHT PIPE ASSEMBLY.
4. NO RoHS EXEMPTIONS

THIS DRAWING CONTAINS INFORMATION THAT IS PROPRIETARY TO MOLEX ELECTRONIC TECHNOLOGIES, LLC AND SHOULD NOT BE USED WITHOUT WRITTEN PERMISSION												
SEE REVISION TABLE EC NO: 117886 DRWN: VK10 CHKD: DSUN15 REV / APPR: RCHEN08	2017/03/24		GENERAL TOLERANCES (UNLESS SPECIFIED)		DIMENSION UNITS	SCALE	molex SFP+ 1X6 LIGHT PIPE ASSY, LOW PROFILE THRU BEZEL					
	2017/05/05		ANGULAR TOL ± 1.0 °		MM	2.5:1						
	2017/06/13		4 PLACES	±	DRWN BY	DATE	PRODUCT CUSTOMER DRAWING					
			3 PLACES	±	VK10	2017/03/24						
			2 PLACES	± 0.15	CHKD BY	DATE	SERIES MATERIAL NUMBER CUSTOMER					
			1 PLACE	± 0.25	DSUN15	2017/05/05						
			0 PLACES	±	APPR BY	DATE	DOCUMENT NUMBER DOC TYPE DOC PART SHEET NUMBER					
			DRAFT WHERE APPLICABLE MUST REMAIN WITHIN DIMENSIONS			RCHEN08						2017/06/13
			DRAWING SIZE		THIRD ANGLE PROJECTION		74754		747540061			
	B		C		C		747540061		PSD		ASY 1 OF 3	



HOST PCB EDGE NEAREST SFP CAGE OPENING



HOST PCB LAYOUT NOTES (SCALE 10:1)

1. LED SHOULD BE PLACED RELATIVE TO THE SFP CONNECTOR POST HOLES
2. LAYOUT APPLIES TO EACH PORT

THIS DRAWING CONTAINS INFORMATION THAT IS PROPRIETARY TO MOLEX ELECTRONIC TECHNOLOGIES, LLC AND SHOULD NOT BE USED WITHOUT WRITTEN PERMISSION

SEE REVISION TABLE EC NO: 117886 DRWN: VK10 CHKD: DSUN15 REV / APPR: RCHEN08	GENERAL TOLERANCES (UNLESS SPECIFIED)		DIMENSION UNITS	SCALE	
	ANGULAR TOL ± 1.0 °		MM	3:1	
	4 PLACES ±	DRWN BY	DATE		
	3 PLACES ±	VK10	2017/03/24		
	2 PLACES ± 0.15	CHKD BY	DATE		
1 PLACE ± 0.25	DSUN15	2017/05/05		PRODUCT CUSTOMER DRAWING SERIES MATERIAL NUMBER CUSTOMER 74754 747540061	
0 PLACES ±	APPR BY	DATE			
RCHEN08	2017/06/13				
DRAFT WHERE APPLICABLE MUST REMAIN WITHIN DIMENSIONS		DRAWING SIZE	THIRD ANGLE PROJECTION		DOCUMENT NUMBER
		C			747540061
					DOC TYPE DOC PART SHEET NUMBER
					PSD ASY 2 OF 3

H

REV	DATE	DESCRIPTION
A	2008/10/21	INITIAL RELEASE
B	2017/05/28	REMASTERED FROM SD-74754-0061 REV_A TO 745740061 PSD ASY REV_B IN NX SHEET 2 : H5 : ADDED DIM R0.3 MAX TYP

G

F

E


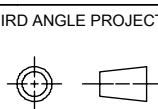
D

C

B

A

THIS DRAWING CONTAINS INFORMATION THAT IS PROPRIETARY TO MOLEX ELECTRONIC TECHNOLOGIES, LLC AND SHOULD NOT BE USED WITHOUT WRITTEN PERMISSION

SEE REVISION TABLE	EC NO: 117886	GENERAL TOLERANCES (UNLESS SPECIFIED)	DIMENSION UNITS	SCALE	 SFP+ 1X6 LIGHT PIPE ASSY, LOW PROFILE THRU BEZEL	
	2017/03/24		MM	1:1		
	DRWN: VK10		ANGULAR TOL $\pm 1.0^\circ$	DRWN BY		DATE
	2017/05/05		4 PLACES \pm	VK10		2017/03/24
	CHKD: DSUN15		3 PLACES \pm	CHKD BY		DATE
	2017/06/13		2 PLACES ± 0.15	DSUN15		2017/05/05
	REV		1 PLACE ± 0.25	APPR BY		DATE
	APPR: RCHEN08		0 PLACES \pm	RCHEN08		2017/06/13
			DRAFT WHERE APPLICABLE MUST REMAIN WITHIN DIMENSIONS	DRAWING SIZE		THIRD ANGLE PROJECTION
		C		PRODUCT CUSTOMER DRAWING SERIES: 74754 MATERIAL NUMBER: 747540061 CUSTOMER:		
RELEASE STATUS	P1	RELEASE DATE	13.06.2017	01:51:27	DOCUMENT NUMBER: 747540061 DOC TYPE: PSD DOC PART: ASY SHEET NUMBER: 3 OF 3	

H

G

F

E

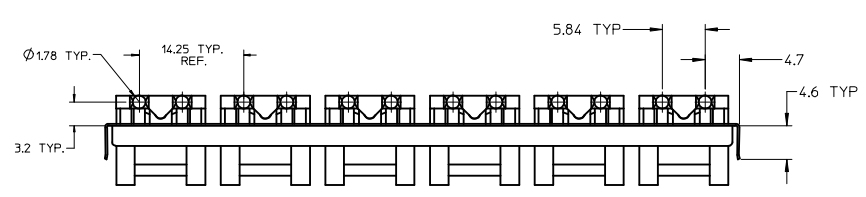
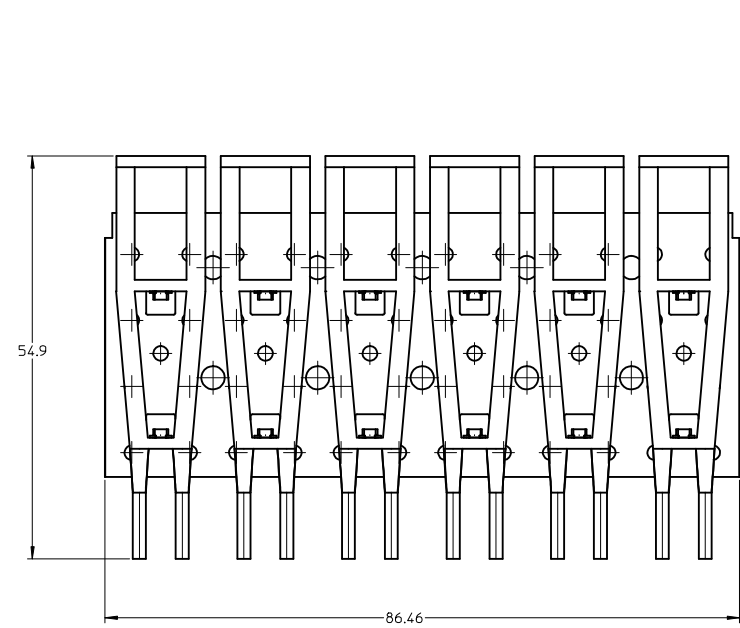
D

C

B

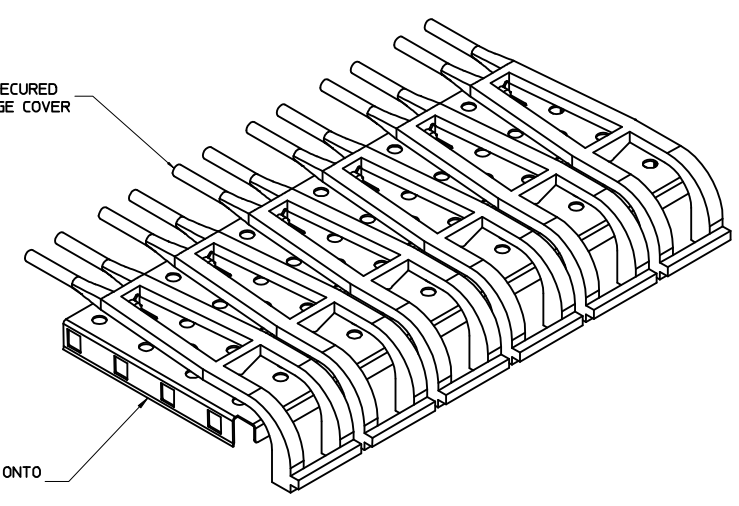
A

20 19 18 17 16 15 14 13 12 11 10 9 8 7 6 5 4 3 2 1

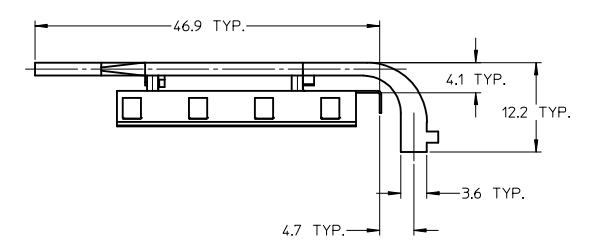


1. MATERIAL:
 COVER: COPPER ALLOY
 LIGHT PIPE: POLYCARBONATE (94-Y0 RATED)
 2. THIS LIGHT PIPE ASSEMBLY IS TO BE USED WITH THE SFP+ 1X6 CAGE ASSEMBLY P/N 7475406***
 3. IT IS RECOMMENDED THAT THE CAGE BE PRESSED INTO OR SOLDERED TO THE PCB PRIOR TO ASSEMBLING THE LIGHT PIPE ASSEMBLY.
 4. THIS PART MEETS THE RESTRICTION OF HAZARDOUS SUBSTANCES IN ELECTRICAL AND ELECTRONIC EQUIPMENT (RHS) DIRECTIVE (2002/95/EC)

LIGHT PIPES SECURED TO METAL CAGE COVER

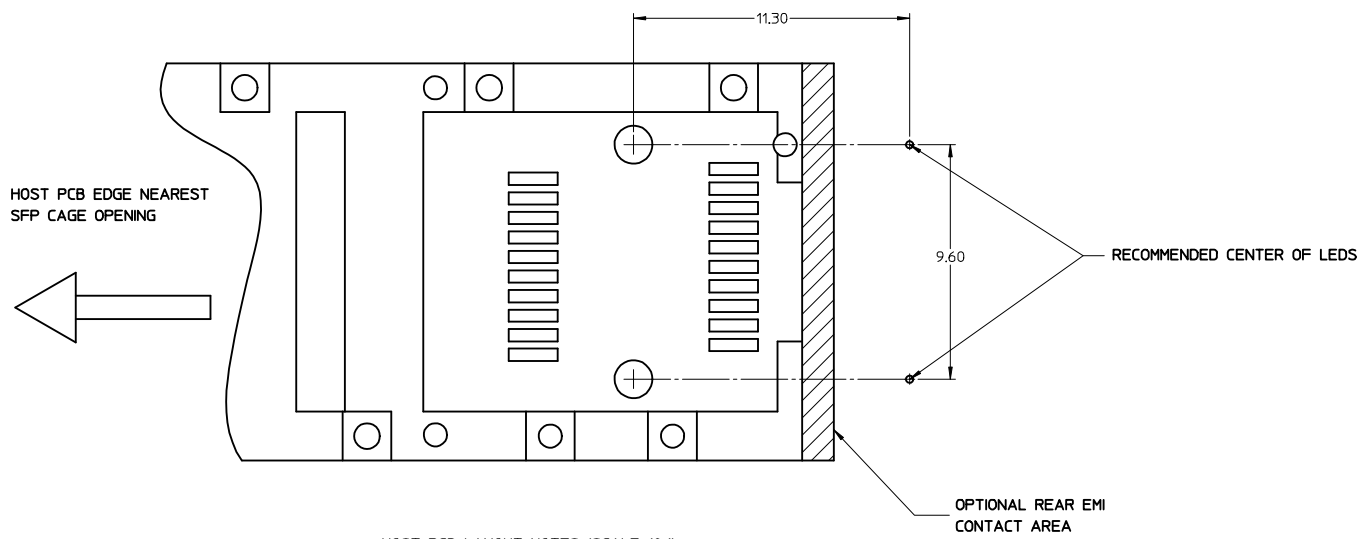
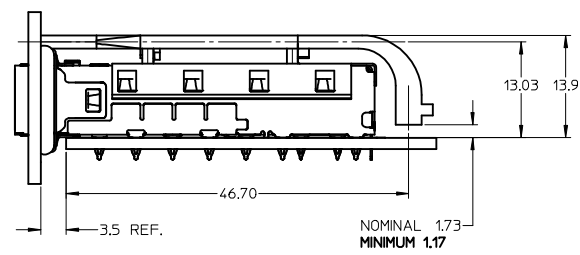
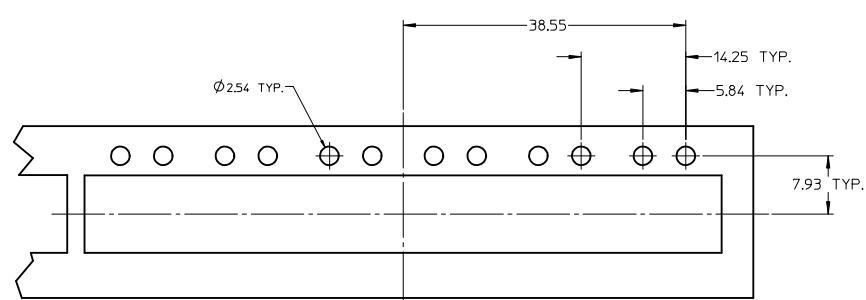


COVER DESIGNED TO SNAP ONTO THE SFP+ CAGE ASSEMBLY



ENTER DESCRIPTION EC NO. 1572009-0143 DATE 2008/10/17 CHECKED BY APPROVED BY DATE 2008/10/17	QUALITY SYMBOLS ▽ ▽=0	GENERAL TOLERANCES (UNLESS SPECIFIED) mm INCH 4 PLACES ±.015 ±.0006 3 PLACES ±.010 ±.0004 2 PLACES ±.015 ±.0006 1 PLACE ±.025 ±.0010 ANGULAR ± 1 °	DIMENSION STYLE MM ONLY DRAWN BY JREEVES DATE 2008/10/15 CHECKED BY SAKI MAJONSTON DATE 2008/10/17 APPROVED BY K. JANOTA DATE 2008/10/17 MATERIAL NO. 747540061 DRAFT WHERE APPLICABLE MUST REMAIN WITHIN DIMENSIONS	SCALE 3:1 DESIGN UNITS METRIC THRO ANGLE PROJECTION	TITLE SFP+ 1X6 LIGHT PIPE ASSY, LOW PROFILE - THRU BEZEL MOLEX INCORPORATED DOCUMENT NO. SD-74754-0061 SHEET NO. 1 OF 3
	THIS DRAWING CONTAINS INFORMATION THAT IS PROPRIETARY TO MOLEX INCORPORATED AND SHOULD NOT BE USED WITHOUT WRITTEN PERMISSION				

19 18 17 16 15 14 13 12 11 10 9 8 7 6 5 4 3 2 1



HOST PCB LAYOUT NOTES (SCALE 10:1)

1. LED SHOULD BE PLACED RELATIVE TO THE SFP CONNECTOR POST HOLES
2. LAYOUT APPLIES TO EACH PORT

ENTER DESCRIPTION EC NO. 1572009-013 DATE 2008/10/17 CHKDRS/NAME APPR/DATE 2008/10/20 DESIGNED BY DRAWN BY CHECKED BY APPROVED BY MATERIAL NO. DRAWN WHERE APPLICABLE WITHIN DIMENSIONS	QUALITY SYMBOLS ▽ ▽	GENERAL TOLERANCES (UNLESS SPECIFIED) mm INCH 4 PLACES ±.--- ±.--- 3 PLACES ±.--- ±.--- 2 PLACES ±.05 ±.--- 1 PLACE ±.025 ±.--- ANGULAR ± 1 °	DIMENSION STYLE MM ONLY	SCALE 3:1	DESIGN UNITS METRIC	THIRD ANGLE PROJECTION	
	DRAWN BY JREEVES DATE 2008/10/15	CHECKED BY MAJONSTON DATE 2008/10/17	APPROVED BY K. JANOTA DATE 2008/10/20	TITLE SFP, 1X6 LIGHT PIPE ASSY, LOW PROFILE - THRU BEZEL	DOCUMENT NO. 747540061	SHEET NO. 2 OF 3	SHEET NO. 2 OF 3
	MOLEX INCORPORATED						
	THIS DRAWING CONTAINS INFORMATION THAT IS PROPRIETARY TO MOLEX INCORPORATED AND SHOULD NOT BE USED WITHOUT WRITTEN PERMISSION						

20 19 18 17 16 15 14 13 12 11 10 9 8 7 6 5 4 3 2 1

DATE	REV	DESCRIPTION
2008/10/21	A	INITIAL RELEASE

ENTER DESCRIPTION EC NO. 157-009-013 EC DATE 2008/10/21 CHECKED BY APPROVED BY DATE	QUALITY SYMBOLS 	GENERAL TOLERANCES (UNLESS SPECIFIED) mm INCH 4 PLACES ± .005 ± .0002 3 PLACES ± .002 ± .0001 2 PLACES ± 0.05 ± .001 1 PLACE ± 0.25 ± .005 ANGULAR ± 1 °	DIMENSION STYLE MM ONLY DRAWN BY DATE CHECKED BY DATE APPROVED BY DATE MATERIAL NO. 747540061	SCALE 1:1 DEGREE UNITS METRIC THIRD ANGLE PROJECTION TITLE SFP, 1X6 LIGHT PIPE ASSY, LOW PROFILE - THRU BEZEL MOLEX INCORPORATED DOCUMENT NO. SD-74754-0061	SHEET NO. 3 OF 3
	DRAFT WHERE APPLICABLE MUST REMAIN WITHIN DIMENSIONS		THIS DRAWING CONTAINS INFORMATION THAT IS PROPRIETARY TO MOLEX INCORPORATED AND SHOULD NOT BE USED WITHOUT WRITTEN PERMISSION		SHEET NO. 3 OF 3
	DRAFT WHERE APPLICABLE MUST REMAIN WITHIN DIMENSIONS		THIS DRAWING CONTAINS INFORMATION THAT IS PROPRIETARY TO MOLEX INCORPORATED AND SHOULD NOT BE USED WITHOUT WRITTEN PERMISSION		SHEET NO. 3 OF 3
	DRAFT WHERE APPLICABLE MUST REMAIN WITHIN DIMENSIONS		THIS DRAWING CONTAINS INFORMATION THAT IS PROPRIETARY TO MOLEX INCORPORATED AND SHOULD NOT BE USED WITHOUT WRITTEN PERMISSION		SHEET NO. 3 OF 3

19 18 17 16 15 14 13 12 11 10 9 8 7 6 5 4 3 2 1

X-ON Electronics

Largest Supplier of Electrical and Electronic Components

Click to view similar products for [I/O Connectors](#) category:

Click to view products by [Molex](#) manufacturer:

Other Similar products are found below :

[571763P](#) [58098-0628](#) [72.250.1628.2](#) [72.250.2428.2](#) [74720-0505](#) [76.350.0729.0](#) [76871-1403](#) [FCN-244F080-G/1](#) [FCN-260A9920](#) [PCR-E36PM](#) [PCS-XE26MA+](#) [G38A71314B](#) [1571250010](#) [157-22500-3](#) [MS3471L14-19P L/C](#) [192991-0703](#) [172501-4002](#) [172501-6002](#) [FCN-260C008-A/L0](#) [FCN-260C024-AL0](#) [FCN-261Z008](#) [2000314-1](#) [200331-1](#) [PCR-E36FC+](#) [PCS-E28FS+](#) [PCS-XE26SLFD+](#) [PCS-XE26SLFDT+](#) [G730VID08BDC24](#) [U90B2054081210](#) [38113800006](#) [DP3AR020WQ1R200](#) [Z4.102.0680.0](#) [500-1040](#) [500-1052](#) [500-1054](#) [ZP-4008-66L](#) [0709821002](#) [DX40-20P\(55\)](#) [5554841-1](#) [MS3474W18-8P-LC*](#) [U90B3054061110](#) [U65-E04-4020](#) [ZPF000000000097891](#) [747360449](#) [10099439-003C-TRLF](#) [10137239-0021LF](#) [E9320-001-01](#) [10137239-0011LF](#) [70289-001LF](#) [70.060.1028.0](#)