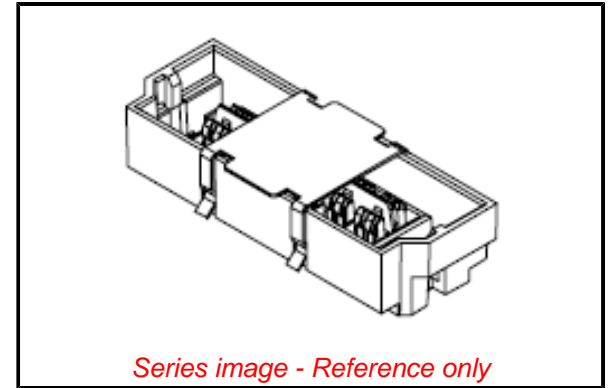


PLEASE CHECK WWW.MOLEX.COM FOR LATEST PART INFORMATION

Part Number: **0750050306**
Status: **Active**
Overview: Plateau HS Mezz™
Description: 1.20mm Pitch Plateau HS Mezz™ Receptacle, 6.50mm Unmated Height, 12 Circuits

Documents:

3D Model	Packaging Specification PK-75005-001 (PDF)
Drawing (PDF)	Packaging Specification PK-75005-003 (PDF)
Product Specification PS-75005-001-001 (PDF)	Test Summary TS-75005-001-001 (PDF)
Product Specification PS-75005-002-001 (PDF)	RoHS Certificate of Compliance (PDF)
Application Specification AS-75005-001-001 (PDF)	



Agency Certification

CSA	LR19980
UL	E29179

General

Product Family	PCB Receptacles
Series	75005
Application	Board-to-Board, Signal
MolexKits	Yes
Overview	Plateau HS Mezz™
Product Name	Plateau HS Mezz™
UPC	756054603048

Physical

Circuits (Loaded)	12
Circuits (maximum)	12
Color - Resin	Black
Durability (mating cycles max)	25
Flammability	94V-0
Glow-Wire Compliant	No
Material - Metal	High Performance Alloy (HPA)
Material - Plating Mating	Gold
Material - Plating Termination	Tin
Material - Resin	High Temperature Thermoplastic
Net Weight	1.757/g
Number of Rows	2
Orientation	Vertical
PCB Locator	Yes
PCB Retention	Yes
Packaging Type	Embossed Tape on Reel
Pitch - Mating Interface	1.20mm, 3.51mm
Plating min - Mating	0.762µm
Plating min - Termination	3.810µm
Polarized to PCB	Yes
Surface Mount Compatible (SMC)	N/A
Temperature Range - Operating	-20°C to +85°C
Termination Interface: Style	Surface Mount
Unmated Height	6.50mm

Electrical

Current - Maximum per Contact	1.5A
Voltage - Maximum	30V

Solder Process Data

Lead-free Process Capability	REFLOW
Process Temperature max. C	260

EU ELV

Not Relevant

EU RoHS

Compliant

REACH SVHC

Not Contained Per -
ED/21/2016 (20 June
2016)

Halogen-Free

Status

Low-Halogen

Need more information on product environmental compliance?

Email productcompliance@molex.com
Please visit the [Contact Us](#) section for any non-product compliance questions.

China ROHS	Green Image
ELV	Not Relevant
RoHS Phthalates	Not Contained

Search Parts in this Series

[75005 Series](#)

Mates With

1.20mm Pitch Plateau HS Mezz™
Receptacle [75003](#)

Material Info

Reference - Drawing Numbers

Application Specification	AS-75005-001-001
Packaging Specification	PK-75005-001, PK-75005-003
Product Specification	PS-75005-001-001, PS-75005-002-001
Sales Drawing	SD-75005-001
Test Summary	TS-75005-001-001

This document was generated on 12/05/2016

PLEASE CHECK WWW.MOLEX.COM FOR LATEST PART INFORMATION

X-ON Electronics

Largest Supplier of Electrical and Electronic Components

Click to view similar products for [Board to Board & Mezzanine Connectors](#) category:

Click to view products by [Molex](#) manufacturer:

Other Similar products are found below :

[589158040000018](#) [FCN-230C068-11](#) [FCN-268F012-G/BD](#) [FCN-268F036-G/BD](#) [FCN-268M012-G/0D](#) [FCN-268M024-G/1D](#) [FCN-723J004/1](#) [MIS-048-01-F-D-DP-K](#) [832-10-034-10-001000](#) [FX4C-80S-1.27DSA](#) [FCN-214Q030-G/0](#) [FCN-234P048-G/0](#) [FCN-235D050-G/C](#) [2-22603-0](#) [AXG720047](#) [5031084030](#) [MIT-114-03-F-D-K](#) [55323-1519](#) [YFT-20-05-H-03-SB-K](#) [503308-3040](#) [026-6203-PDB](#) [027-6203-PDB](#) [069159702701000](#) [10123981-102LF](#) [101A10019X](#) [55650-0588-C](#) [68682-310LF](#) [68684-306](#) [75140-7012](#) [87471-650](#) [YTW-30-07-H-Q-410-140](#) [194261-1](#) [FCN-268F024-G0D](#) [10124054-515LF](#) [68685-603](#) [8-1616154-3](#) [MIS-019-01-F-D](#) [FCN-268M024-G/3D](#) [FCN-268M036-G/BD](#) [20021832-06016C1LF](#) [KX15-20KLDL-E1000E](#) [AXE810124](#) [FCN-214J100-G/0](#) [FCN-230C068-E/S](#) [AXE812124](#) [AXE816124](#) [AXE720127](#) [354184](#) [MIT-019-04-F-D-K](#) [P50-028-DDS-TG](#)