

PLEASE CHECK WWW.MOLEX.COM FOR LATEST PART INFORMATION

Part Number: [0753436777](#)
Status: **Active**
Overview: [GbX Backplane Connector System](#)
Description: GbX 5 Pair Backplane Connector System, Power Module, 48 Circuits, 1.3µm Gold (Au)

Documents:

[3D Model](#) [Packaging Specification PK-70873-562-001 \(PDF\)](#)
[Drawing \(PDF\)](#) [RoHS Certificate of Compliance \(PDF\)](#)
[3D Model \(PDF\)](#)

Agency Certification

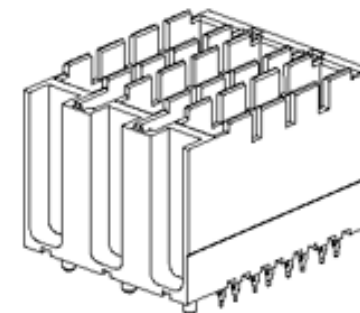
UL E29179

General

Product Family Backplane Connectors
 Series [75343](#)
 Application Backplane
 Application Tooling Documents TM-622022099
 Comments Blade Length A 6.00mm, B 7.50mm, C 7.50mm, D 7.50mm, Blade Length A 6.00mm, B 7.50mm, C 7.50mm, D 7.50mm
 Component Type Power Header
 Overview [GbX Backplane Connector System](#)
 Product Name GbX
 UPC 822350643016

Physical

Circuits (Loaded) 24
 Circuits (maximum) 24
 Circuits Detail Rows A, B, C, & D
 Color - Resin Gray (Dark)
 Durability (mating cycles max) 200
 First Mate / Last Break Yes
 Flammability 94V-0
 Guide to Mating Part No
 Keying to Mating Part None
 Material - Metal High Performance Alloy (HPA)
 Material - Plating Mating Gold
 Material - Plating Termination 90/10 Tin Lead, 90/10 Tin-Lead
 Material - Resin High Temperature Thermoplastic
 Net Weight 7.329/g
 Number of Columns N/A
 Number of Pairs 5
 Number of Rows 4
 Orientation Vertical
 PC Tail Length 2.40mm
 PCB Locator Yes
 PCB Retention Yes
 PCB Thickness - Recommended 1.60mm
 Packaging Type Tube
 Pitch - Mating Interface N/A
 Pitch - Termination Interface 2.60mm
 Plating min - Mating 1.270µm
 Plating min - Termination 0.762µm
 Polarized to PCB Yes
 Stackable Yes
 Surface Mount Compatible (SMC) Yes



Series image - Reference only

EU ELV

Not Relevant

EU RoHS

Not Reviewed

REACH SVHC

Not Contained Per - ED/71/2019 (16 July 2019)

Halogen-Free

Status

Low-Halogen

For more information, please visit [Contact US](#)

China ROHS

50 Image

ELV

Not Relevant

RoHS Phthalates

Not Contained

Search Parts in this Series

[75343](#) Series

Mates With

[75292](#) GbX Daughtercard

Application Tooling | FAQ

Tooling specifications and manuals are found by selecting the products below. Crimp Height Specifications are then contained in the Application Tooling Specification document.

Global

Description	Product #
Insertion Module, 4-Pair 3-Up Power Module	622022061
Single Pin Repair Tool	622022090
Shield Removal Tool	622022100

Temperature Range - Operating 105°C
Termination Interface: Style Through Hole - Compliant Pin

Electrical

Current - Maximum per Contact 6.0A
Data Rate 8.0 Gbps
Real Signals (per 25mm) 0
Shielded No
Voltage - Maximum 120V AC (RMS)/DC

Solder Process Data

Lead-free Process Capability N/A

Material Info

Reference - Drawing Numbers

Packaging Specification PK-70873-562-001
Sales Drawing SD-75341-001

This document was generated on 12/17/2019

PLEASE CHECK WWW.MOLEX.COM FOR LATEST PART INFORMATION

X-ON Electronics

Largest Supplier of Electrical and Electronic Components

Click to view similar products for [High Speed/Modular Connectors](#) category:

Click to view products by [Molex](#) manufacturer:

Other Similar products are found below :

[650827-1](#) [74040-1346](#) [1410191-1](#) [1410337-1](#) [1410368-3](#) [1410964-2](#) [1410326-3](#) [1410367-3](#) [1410971-4](#) [1467833-1](#) [2000877-1](#) [2000878-1](#)
[2041314-1](#) [2065387-1](#) [2187307-1](#) [163P](#) [1934290-1](#) [2000875-1](#) [2065917-1](#) [2102736-2](#) [FSR-40](#) [2169868-2](#) [22354-8](#) [437-5040-000](#) [5-](#)
[1393565-0](#) [039-0246-000](#) [0740618502](#) [0761601016](#) [0784461022](#) [10123159-12ELF](#) [030-2415-003/100 PK](#) [030-7380-004](#) [030-2494-001](#)
[532939-1](#) [5532901-3](#) [3-1469268-7](#) [74748-102LF](#) [73670-0247](#) [10041743-101LF](#) [10066670-100002LF](#) [1-533915-1](#) [249-4515-000](#) [7-1469373-](#)
[3](#) [DL2-2J/S](#) [2000713-8](#) [2000713-7](#) [10124313-101LF](#) [3011-21](#) [757105208](#) [EBTF-4-10-2.0-S-RA-1](#)