

PLEASE CHECK WWW.MOLEX.COM FOR LATEST PART INFORMATION

Part Number: [0755616000](#)
Status: **Active**
Overview: [EXTreme PowerMass High-Current Connectors](#)
Description: EXTreme PowerMass 0.13mm Pitch, 80A per module, Right-Angle Plug, Lead-Free, Press Fit

Documents:

[3D Model](#) [Packaging Specification PK-46081-100-001 \(PDF\)](#)
[3D Model \(PDF\)](#) [RoHS Certificate of Compliance \(PDF\)](#)
[Drawing \(PDF\)](#)

Agency Certification

CSA LR19980
 UL E29179

Application tooling part link

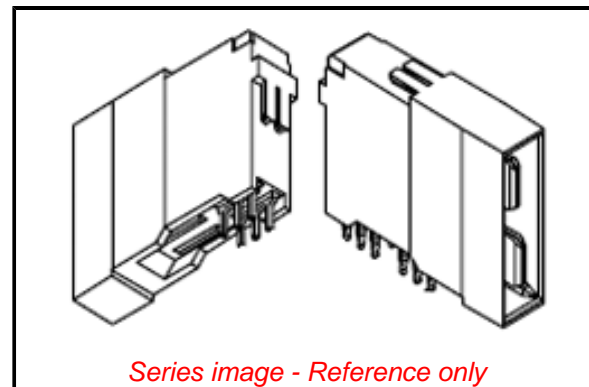
Application Tooling Part Link 62201-8654
 Application Tooling Part Link 62202-3700

General

Product Family PCB Headers
 Series [75561](#)
 Application Board-to-Board, Power
 Comments 80A per module, 40A per contact (2 contacts per module)
 Overview [EXTreme PowerMass High-Current Connectors](#)
 Product Name EXTreme PowerMass
 UPC 800756779812

Physical

(p)ower-(s)ignal Configuration 2p - 0s
 Breakaway No
 Circuits (Loaded) 4
 Circuits (maximum) 4
 Durability (mating cycles max) 50
 First Mate / Last Break No
 Flammability 94V-0
 Glow-Wire Capable No
 Guide to Mating Part No
 Keying to Mating Part None
 Lock to Mating Part No
 Material - Metal Copper-Nickel-Silicon
 Material - Plating Mating Gold
 Material - Plating Termination Tin
 Net Weight 11.218/g
 Number of Rows 2
 Orientation Right Angle
 PC Tail Length 3.99mm
 PCB Locator No
 PCB Retention None
 PCB Thickness - Recommended 3.18mm
 Packaging Type Tray
 Pitch - Mating Interface 3.00mm
 Plating min - Mating 0.762µm
 Plating min - Termination 2.540µm
 Polarized to Mating Part Yes
 Polarized to PCB Yes



Series image - Reference only

EU ELV

Not Relevant

EU RoHS

Compliant

REACH SVHC

Not Contained Per -
 D(2021)4569-DC (8
 July 2021)

Halogen-Free

Status

Low-Halogen

For more information, please visit [Contact US](#)

China ROHS

ELV

RoHS Phthalates

China RoHS

Green Image

Not Relevant

Not Contained

Search Parts in this Series

[75561](#) Series

Mates With

[755455000](#) EXTreme PowerMass Receptacle, [755455001](#) EXTreme PowerMass Receptacle

Shrouded	Closed Ends
Stackable	No
Surface Mount Compatible (SMC)	Yes
Temperature Range - Operating	-40° to +105°C
Termination Interface: Style	Through Hole - Compliant Pin

Electrical

Current - Maximum per Contact	40.0A
Voltage - Maximum	450V

Material Info

Reference - Drawing Numbers

Packaging Specification	PK-46081-100-001
Sales Drawing	SD-75561-200-001

This document was generated on 09/27/2021

PLEASE CHECK WWW.MOLEX.COM FOR LATEST PART INFORMATION

X-ON Electronics

Largest Supplier of Electrical and Electronic Components

Click to view similar products for [Power to the Board](#) category:

Click to view products by [Molex](#) manufacturer:

Other Similar products are found below :

[6450171-4](#) [6450552-7](#) [6600323-8](#) [6643429-1](#) [6646040-2](#) [6651939-1](#) [6766604-1](#) [120959-1](#) [1393557-2](#) [1393532-2](#) [1393532-3](#) [1393532-4](#)
[1393557-1](#) [1600812-5](#) [1-6450861-2](#) [1744132-7](#) [1761122-1](#) [1766250-1](#) [1892109-1](#) [2-6450860-5](#) [2-6450870-0](#) [1-6450161-4](#) [1-6450850-6](#) [1-6450869-6](#) [1645526-2](#) [1-6600130-0](#) [2005243-2](#) [377-0020-11130](#) [TE34-12-16P-F0](#) [5-6450830-6](#) [5646956-4](#) [377-0080-11131A](#) [4-6450830-9](#)
[4-6600333-3](#) [10125416-4050LF](#) [6600320-3](#) [3-6450860-5](#) [1888123-2](#) [6450166-1](#) [6643978-1](#) [6766605-1](#) [701-15-02109](#) [N11444](#) [6651938-1](#)
[6450810-7](#) [46437-1112](#) [1-1589677-8](#) [5646956-5](#) [6450813-2](#) [6450129-4](#)