

PLEASE CHECK WWW.MOLEX.COM FOR LATEST PART INFORMATION

Part Number: [0755860009](#)
Status: **Active**
Overview: [iPass Connector System](#)
Description: 0.80mm Pitch, iPass I/O Surface Mount Receptacle, Right-Angle, External Application, 26 Circuit, 0.76µm Gold (Au)

Documents:

3D Model	Application Specification AS-75586-001-001 (PDF)
3D Model (PDF)	Packaging Specification PK-75586-002 (PDF)
Drawing (PDF)	Packaging Specification PK-75586-101 (PDF)
Product Specification PS-75586-001-001 (PDF)	RoHS Certificate of Compliance (PDF)
Application Specification AS-170432-0003 (PDF)	

Agency Certification

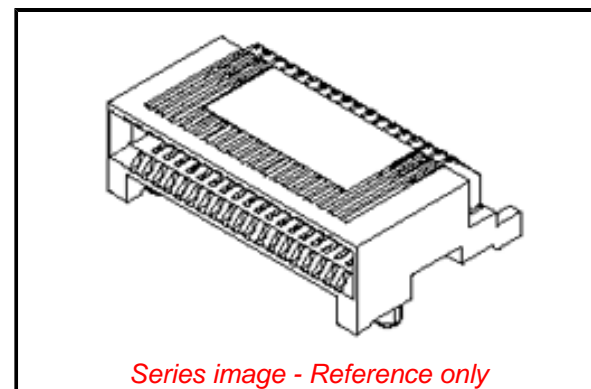
CSA	LR19980
UL	E29179

General

Product Family	I/O Connectors
Series	75586
Application	Wire-to-Board
Component Type	Receptacle
Electrical Model	Yes
Overview	iPass Connector System
Product Name	iPass, Mini Multi-Lane, PCI Express
Type	N/A
UPC	822348849543

Physical

Boot Color	N/A
Circuits (Loaded)	26
Circuits (maximum)	26
Color - Resin	Black
Durability (mating cycles max)	250
Flammability	94V-0
Gender	Female
Keying to Mating Part	None
Lock to Mating Part	None
Material - Metal	High Performance Alloy (HPA)
Material - Plating Mating	Gold
Material - Plating Termination	Tin
Material - Resin	High Temperature Thermoplastic
Net Weight	0.560/g
Number of Rows	2
Orientation	Right Angle
PCB Locator	Yes
PCB Retention	None
PCB Thickness - Recommended	1.35mm
Packaging Type	Embossed Tape on Reel
Panel Mount	No
Pitch - Mating Interface	0.80mm
Pitch - Termination Interface	0.80mm
Plating min - Mating	0.762µm
Plating min - Termination	2.540µm
Polarized to Mating Part	Yes
Polarized to PCB	Yes
Ports	1



Series image - Reference only

EU ELV

Compliant

EU RoHS

Compliant

REACH SVHC

Not Contained Per -
D(2020)9139-DC (19
Jan 2021)

Halogen-Free

Status

Low-Halogen

For more information, please visit [Contact US](#)

China ROHS

ELV

RoHS Phthalates

China RoHS

Green Image

Compliant

Not Contained

Search Parts in this Series

[75586](#) Series

Mates With

[74547](#) iPass Cable Assembly

Use With

[74548](#) I/O Connectors

Surface Mount Compatible (SMC)	Yes
Temperature Range - Operating	-40° to +80°C
Termination Interface: Style	Surface Mount
Waterproof / Dustproof	No
Wire Insulation Diameter	N/A
Wire Size AWG	N/A

Electrical

Current - Maximum per Contact	0.5A
Grounding to Panel	N/A
Shielded	No
Voltage - Maximum	30V AC (RMS)/DC

Solder Process Data

Duration at Max. Process Temperature (seconds)	020
Lead-free Process Capability	REFLOW
Max. Cycles at Max. Process Temperature	001
Process Temperature max. C	260

Material Info**Reference - Drawing Numbers**

Application Specification	AS-170432-0003, AS-75586-001-001
Electrical Model Document	EE-75586-001
Packaging Specification	PK-75586-002, PK-75586-101
Product Specification	PS-75586-001-001
S-Parameter Model	SP-75586-001
Sales Drawing	SD-75586-001

This document was generated on 05/12/2021

PLEASE CHECK WWW.MOLEX.COM FOR LATEST PART INFORMATION

X-ON Electronics

Largest Supplier of Electrical and Electronic Components

Click to view similar products for [High Speed/Modular Connectors](#) category:

Click to view products by [Molex](#) manufacturer:

Other Similar products are found below :

[650827-1](#) [74040-1346](#) [1410191-1](#) [1410337-1](#) [1410368-3](#) [1410964-2](#) [1410326-3](#) [1410367-3](#) [1410971-4](#) [1467833-1](#) [2000877-1](#) [2000878-1](#)
[2041314-1](#) [2065387-1](#) [2187307-1](#) [163P](#) [1934290-1](#) [2000875-1](#) [2065917-1](#) [2102736-2](#) [FSR-40](#) [2169868-2](#) [22354-8](#) [437-5040-000](#) [5-](#)
[1393565-0](#) [039-0246-000](#) [0761601016](#) [0784461022](#) [10123159-12ELF](#) [030-2415-003/100 PK](#) [030-7380-004](#) [030-2494-001](#) [532939-1](#)
[5532901-3](#) [3-1469268-7](#) [74748-102LF](#) [73670-0247](#) [10041743-101LF](#) [10066670-100002LF](#) [1-533915-1](#) [249-4515-000](#) [7-1469373-3](#) [DL2-](#)
[2J/S](#) [2000713-8](#) [2000713-7](#) [10124313-101LF](#) [3011-21](#) [757105208](#) [EBTF-4-10-2.0-S-RA-1](#) [430305-001](#)