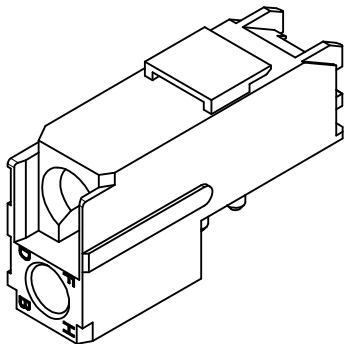
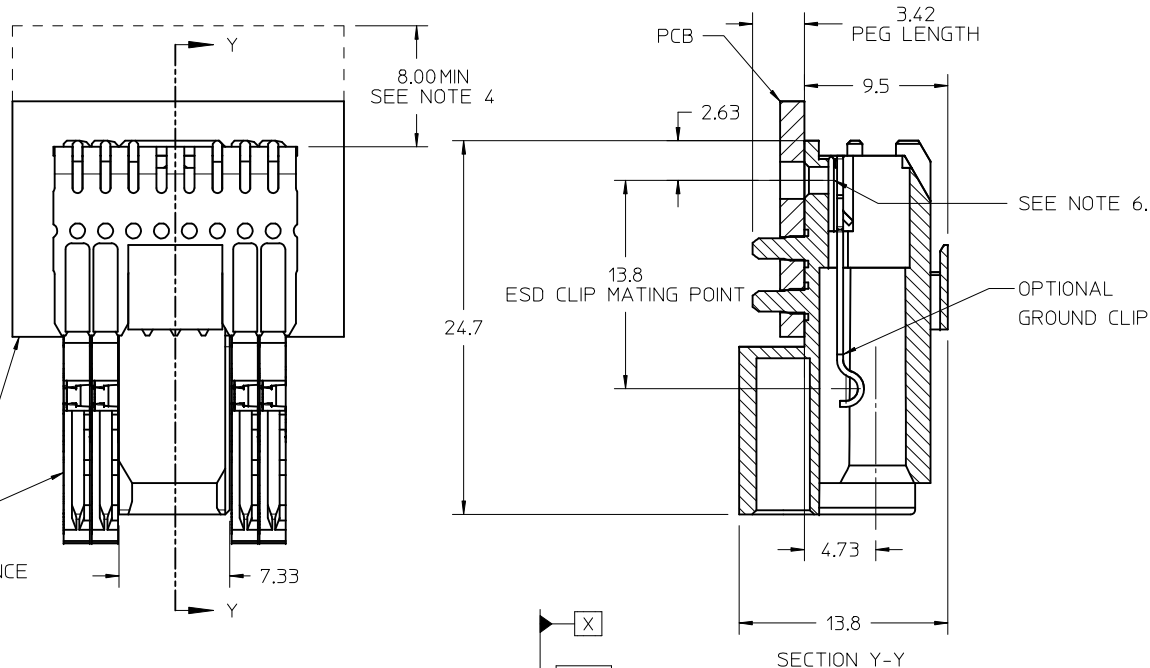


NOTES:

1. MATERIALS: HOUSING - ZINC DIE CAST
TERMINAL - HIGH PERFORMANCE COPPER ALLOY
2. FINISH: HOUSING - HEX-FREE CHROMATE
TERMINAL - SELECTIVE GOLD (Au) IN CONTACT AREA.
3. REFER TO MOLEX PRODUCT SPECIFICATION PS-75221-999 FOR PERFORMANCE SPECIFICATIONS.
4. THE SPECIFIED KEEP-OUT ZONE IS REQUIRED FOR CONNECTOR REPAIRABILITY.
5. THE ESD GROUND CLIP AND PLATED THROUGH HOLE REQUIREMENT APPLIES TO THE ESD GROUND MODULE ONLY. THE UNGROUNDED GUIDE MODULE USES A $\phi 2.58 \pm 0.05$ UNPLATED SCREW HOLE.
6. SCREW TORQUE SPECIFICATION: 3.0 ± 1.0 IN/LBS.
7. OPEN DESIGNATION ALLOWS FOR GUIDE MODULE TO ACCEPT KEY POST IN ANY ORIENTATION. CLOSED DESIGNATION IS SOLID AND BLOCKS ALL KEY POSTS REGARDLESS OF ORIENTATION.
8. NO SURFACE TRACES PERMITTED WITHIN GUIDE OUTLINE.
9. RECOMMENDED CIRCUIT BOARD THICKNESS: 1.5-3.2
FOR OTHER BOARD THICKNESSES CONSULT FACTORY.
10. RECOMMENDED MOUNTING SCREW: 73774-0010.

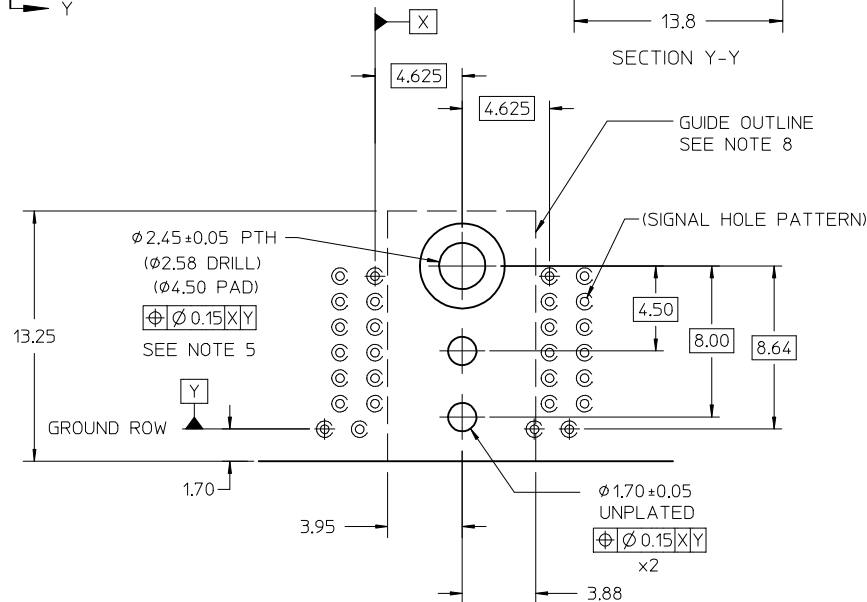


STIFFENER AND
SIGNAL WAFERS,
SHOWN FOR REFERENCE



KEY POSITION	GUIDE ASSEMBLY PART NUMBER	GROUND ASSEMBLY PART NUMBER
A	75659-0411	75659-2411
B	75659-0412	75659-2412
C	75659-0413	75659-2413
D	75659-0414	75659-2414
E	75659-0415	75659-2415
F	75659-0416	75659-2416
G	75659-0417	75659-2417
H	75659-0418	75659-2418
*OPEN	75659-0012	75659-2012
*CLOSED	75659-0419	75659-2419

* SEE NOTE 7



REV TO GBX TWIST EC NO: UCP2014-1038 DRW:RNH/PPLE 2013/08/30 CHKD:MMW/LFE 2013/08/30 APPR:SMILLER 2013/09/24	QUALITY SYMBOLS ▽=0 ▽=0 ▽=0	GENERAL TOLERANCES (UNLESS SPECIFIED)	DIMENSION STYLE MM ONLY	SCALE 4:1	DESIGN UNITS METRIC	THIRD ANGLE PROJECTION																		
		<table border="1"> <thead> <tr> <th></th> <th>mm</th> <th>INCH</th> </tr> </thead> <tbody> <tr> <td>4 PLACES</td> <td>± ---</td> <td>± ---</td> </tr> <tr> <td>3 PLACES</td> <td>± ---</td> <td>± ---</td> </tr> <tr> <td>2 PLACES</td> <td>± 0.13</td> <td>± ---</td> </tr> <tr> <td>1 PLACE</td> <td>± 0.25</td> <td>± ---</td> </tr> <tr> <td>0 PLACE</td> <td>±</td> <td>±</td> </tr> </tbody> </table>		mm	INCH	4 PLACES	± ---	± ---	3 PLACES	± ---	± ---	2 PLACES	± 0.13	± ---	1 PLACE	± 0.25	± ---	0 PLACE	±	±	DRAWN BY ELO	DATE 2005/01/03	CHECKED BY MYCZEK	DATE 2005/01/04
	mm	INCH																						
4 PLACES	± ---	± ---																						
3 PLACES	± ---	± ---																						
2 PLACES	± 0.13	± ---																						
1 PLACE	± 0.25	± ---																						
0 PLACE	±	±																						
DRAFT WHERE APPLICABLE MUST REMAIN WITHIN DIMENSIONS		ANGULAR $\pm 3^\circ$	MATERIAL NO. SEE TABLE	DOCUMENT NO. SD-75659-001	TITLE GBX 2 PAIR TWIST DC GUIDANCE / ESD GROUND SALES DRAWING molex																			
		SIZE C	THIS DRAWING CONTAINS INFORMATION THAT IS PROPRIETARY TO MOLEX INCORPORATED AND SHOULD NOT BE USED WITHOUT WRITTEN PERMISSION																					

X-ON Electronics

Largest Supplier of Electrical and Electronic Components

Click to view similar products for [High Speed/Modular Connectors](#) category:

Click to view products by [Molex](#) manufacturer:

Other Similar products are found below :

[2332816-1](#) [89006-1137LF](#) [650827-1](#) [65762-001LF](#) [73474-201LF](#) [74040-1346](#) [74075-0267](#) [1410191-1](#) [1410337-1](#) [1410368-3](#) [1410964-2](#)
[1410367-3](#) [1410971-4](#) [1467833-1](#) [2000877-1](#) [2000878-1](#) [2041314-1](#) [2065387-1](#) [2187307-1](#) [2187462-1](#) [2226278-6](#) [KA81-07](#) [91290-101LF](#)
[163P](#) [1934290-1](#) [2000875-1](#) [2065917-1](#) [2102736-2](#) [FSR-40](#) [2169868-2](#) [2226279-2](#) [22354-8](#) [437-5040-000](#) [5-1393565-0](#) [532449-3](#) [532803-](#)
[2](#) [34745-0001](#) [0736440217](#) [1-1393708-5](#) [72388-0021LF](#) [73774-1000](#) [532939-1](#) [5-531355-3](#) [5532901-3](#) [85838-180LF](#)
[HM1S43TRR460H6PLF](#) [0760205010](#) [1-966831-4](#) [3-1469268-7](#) [77427-121LF](#)