

PLEASE CHECK WWW.MOLEX.COM FOR LATEST PART INFORMATION

Part Number: **0758856870**
Status: **Active**
Overview: VHDM Backplane Connector Systems
Description: 2.00mm Pitch VHDM Board-to-Board Daughtercard Receptacle, Right-Angle, 6-Row, 2 Blades Power Module, 1 Circuit, Lead-Free

Documents:

[Drawing \(PDF\)](#) [RoHS Certificate of Compliance \(PDF\)](#)
[Packaging Specification PK-70873-200-001 \(PDF\)](#)

General

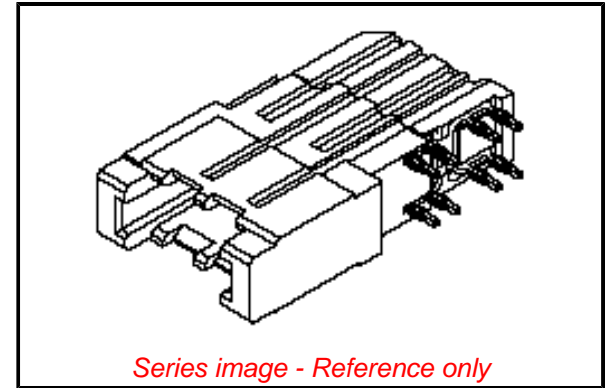
Product Family	Backplane Connectors
Series	<u>75885</u>
Application	Daughtercard
Application Tooling Documents	TM-622010999
Comments	Daughtercard Receptacle Module, Power, 2-Blade
Component Type	Power Receptacle
Overview	<u>VHDM Backplane Connector Systems</u>
Product Name	VHDM
UPC	822350941792

Physical

Circuits (Loaded)	2
Circuits (maximum)	2
Color - Resin	Black
Durability (mating cycles max)	200
First Mate / Last Break	No
Guide to Mating Part	No
Keying to Mating Part	None
Material - Metal	High Performance Alloy (HPA)
Material - Plating Mating	Gold
Material - Plating Termination	Tin
Material - Resin	High Temperature Thermoplastic
Net Weight	2.158/g
Number of Columns	N/A
Number of Pairs	Open Pin Field
Number of Rows	1
Orientation	Right Angle
PC Tail Length	2.80mm
PCB Locator	No
PCB Retention	None
PCB Thickness - Recommended	1.80mm
Packaging Type	Tube
Pitch - Mating Interface	4.00mm
Pitch - Termination Interface	4.00mm
Plating min - Mating	1.270µm
Plating min - Termination	0.889µm
Polarized to PCB	No
Stackable	No
Surface Mount Compatible (SMC)	Yes
Temperature Range - Operating	105°C
Termination Interface: Style	Through Hole - Compliant Pin

Electrical

Current - Maximum per Contact	10.0A
Data Rate	2.5 Gbps
Real Signals (per 25mm)	0



EU ELV

Not Relevant

EU RoHS

Compliant

REACH SVHC

Not Contained Per -
D(2020)9139-DC (19
Jan 2021)

Halogen-Free

Status

Low-Halogen

For more information, please visit [Contact US](#)

China ROHS

ELV

RoHS Phthalates

China RoHS

Green Image

Not Relevant

Not Contained

Search Parts in this Series

75885 Series

Application Tooling | FAQ

Tooling specifications and manuals are found by selecting the products below. Crimp Height Specifications are then contained in the Application Tooling Specification document.

Global

Description

Product #

GbX and VHDM, 622018977

VHDM H-Series, and

VHDM-HSD Tooling

Shielded	No
Voltage - Maximum	120V AC (RMS)/DC

Solder Process Data

Lead-free Process Capability	N/A
------------------------------	-----

Material Info

Reference - Drawing Numbers

Packaging Specification	PK-70873-200-001
Sales Drawing	SD-75885-001

This document was generated on 02/27/2021

PLEASE CHECK WWW.MOLEX.COM FOR LATEST PART INFORMATION

X-ON Electronics

Largest Supplier of Electrical and Electronic Components

Click to view similar products for [Hard Metric Connectors](#) category:

Click to view products by [Molex](#) manufacturer:

Other Similar products are found below :

[6345127-1](#) [646916-9](#) [6469658-1](#) [973108](#) [1-2000713-0](#) [1-2000713-2](#) [1-2000713-3](#) [1645343-1](#) [1645456-1](#) [1645594-1](#) [1645595-1](#) [1645601-1](#)
[1934822-1](#) [278071110010833](#) [1645179-1](#) [1645245-1](#) [1645457-1](#) [1645525-1](#) [1645570-1](#) [1645596-1](#) [17041102202](#) [17-8072-125-000-863+](#)
[1857470-1](#) [1934275-1](#) [1934289-1](#) [1934759-1](#) [2000673-1](#) [2170292-2](#) [2-536642-6](#) [3-106015-1](#) [352188-1](#) [352629-1](#) [3-646529-0](#) [5120823-1](#)
[5120899-1](#) [3-100145-0](#) [3-100147-0](#) [3-100669-1](#) [3-106081-0](#) [HM2DK2368PLF](#) [5646530-1](#) [3-352049-0](#) [3-352069-0](#) [3-352115-0](#) [3-352638-0](#)
[352189-1](#) [3-646357-0](#) [3-646487-0](#) [3-646513-0](#) [106726-1](#)