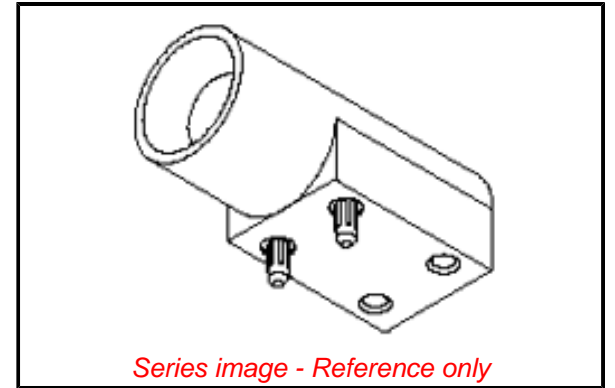


**PLEASE CHECK WWW.MOLEX.COM FOR LATEST PART INFORMATION**

**Part Number:** **0761531002**  
**Status:** **Active**  
**Overview:** Impact Backplane Connector and Cable Assembly System  
**Description:** 11.00mm Stand Alone, Pirate Cannon Wide Guide Module, Zinc Die Cast, with ESD Clips

**Documents:**

<a href="#">3D Model</a>	<a href="#">Packaging Specification PK-70873-590-001 (PDF)</a>
<a href="#">3D Model (PDF)</a>	<a href="#">Symbol Footprint Data SYM-76153-1002-001 (PDF)</a>
<a href="#">Drawing (PDF)</a>	<a href="#">RoHS Certificate of Compliance (PDF)</a>
<a href="#">Product Specification PS-76060-999-001 (PDF)</a>	



**General**

Product Family	Backplane Connectors
Series	76153
Application	Backplane, Midplane, Orthogonal
Application Tooling Documents	TM-622018799-001
Comments	For additional Impact product information and design assistance, please email <a href="mailto:impact@molex.com">impact@molex.com</a>
Component Type Overview	Guide <a href="#">Impact Backplane Connector and Cable Assembly System</a>
Product Name	GbX, GbX I-Trac, HDM, Impact, VHDM, VHDM-HSD, Z-PACK TinMan
UPC	883906386009

**Physical**

Circuits (Loaded)	0
Circuits (maximum)	0
Durability (mating cycles max)	200
First Mate / Last Break	Yes
Guide to Mating Part	Yes
Keying to Mating Part	None
Material - Metal	Zinc Alloy
Material - Plating Mating	Gold
Net Weight	10.995/g
Number of Columns	N/A
Number of Pairs	N/A
Number of Rows	0
Orientation	Right Angle
PC Tail Length	N/A
PCB Locator	Yes
PCB Retention	Yes
PCB Thickness - Recommended	1.00mm
Packaging Type	Bag
Pitch - Mating Interface	N/A
Pitch - Termination Interface	N/A
Polarized to PCB	Yes
Stackable	No
Surface Mount Compatible (SMC)	No
Temperature Range - Operating	N/A

**Electrical**

Current - Maximum per Contact	N/A
Data Rate	N/A
Shielded	No
Voltage - Maximum	N/A

**EU ELV**

**Not Relevant**

**EU RoHS**

**Compliant**

**REACH SVHC**

Contained Per -  
D(2021)4569-DC (8 July 2021)  
Perfluorohexane-1-sulphonic acid and its salts  
Methylhexahydrophthalic anhydride  
Perfluorononan-1-oic acid  
(2,2,3,3,4,4,5,5,6,7 Pyrene  
Fluoranthene  
Tris(4-nonylphenyl, branched and linear) phosphi  
Nonadecafluorodecanoic acid (PFDA) and its sodiu  
n-pentyl-isopentylphthalate  
1,2-Benzenedicarboxylic acid, dipentyl ester, br  
1,2-Benzenedicarboxylic acid, dihexyl ester, bra  
2-(2H-Benzotriazol-2-yl)-4,6-ditertpentylphenol  
2-ethylhexyl 10-ethyl-4,4-dioctyl-7-oxo-8-oxa-3, Ammonium-pentadecafluorooctanoate  
C.I. Direct Black 38  
Dibutyltin-dichloride  
1,2-diethoxyethane

**China RoHS**

**Solder Process Data**

Duration at Max. Process Temperature (seconds)	040
Lead-free Process Capability	SMC&WAVE
Max. Cycles at Max. Process Temperature	003
Process Temperature max. C	260

**Material Info****Reference - Drawing Numbers**

Packaging Specification	PK-70873-590-001
Product Specification	PS-76060-999-001
Sales Drawing	SD-76153-001-001
Symbol/Footprint Data	SYM-76153-1002-001

Octanoic acid,  
2,2,3,3,4,4,5,5,6,6,7,7,8,8,8-  
pen  
bis(2-(2-  
methoxyethoxy)ethyl)  
ether  
Imidazolidine-2-thione  
Phenanthrene  
Dihexyl-phthalate  
4-aminoazobenzene  
Fatty Acids, C16-18,  
Lead Salts  
Silicic acid (H<sub>2</sub>Si<sub>2</sub>O<sub>5</sub>),  
barium salt (1:1),  
lead-  
Cadmium Hydroxide  
Cyanamide, lead(2+)  
salt (1:1)  
Lead titanium  
zirconium oxide  
Dioxobis(stearato)trilead  
Lead(II,IV)-oxide  
Cadmium-oxide  
Diboron-trioxide  
Decabromodiphenylether  
1,2-bis(2-  
methoxyethoxy)ethane  
1,2-Dimethoxyethane  
1,2-  
Benzenedicarboxylic  
acid, bis(2-  
methoxyethyl  
Pentazinc-chromate-  
octahydroxide  
bis(2-methoxyethyl)  
ether  
Strontium-chromate  
Boric acid, disodium  
salt, hydrate  
Tris(2-chloroethyl)  
phosphate  
Lead sulfochromate  
yellow

**Halogen-Free  
Status****Low-Halogen**

For more information, please visit [Contact US](#)

China ROHS	Green Image
ELV	Not Relevant
RoHS Phthalates	Not Contained

**Search Parts in this Series**  
76153 Series

**Mates With**  
752341478 Standalone Wide Guide Pin

This document was generated on 01/03/2022

**PLEASE CHECK WWW.MOLEX.COM FOR LATEST PART INFORMATION**

## X-ON Electronics

Largest Supplier of Electrical and Electronic Components

*Click to view similar products for [Hard Metric Connectors](#) category:*

*Click to view products by [Molex](#) manufacturer:*

Other Similar products are found below :

[6345127-1](#) [646916-9](#) [6469658-1](#) [973108](#) [1-2000713-0](#) [1-2000713-2](#) [1-2000713-3](#) [1645343-1](#) [1645456-1](#) [1645594-1](#) [1645595-1](#) [1645601-1](#)  
[1934822-1](#) [278071110010833](#) [1645245-1](#) [1645457-1](#) [1645525-1](#) [1645570-1](#) [1645596-1](#) [17041102202](#) [17-8072-125-000-863+](#) [1857470-1](#)  
[1934275-1](#) [1934289-1](#) [1934759-1](#) [2000673-1](#) [2170292-2](#) [2-536642-6](#) [3-106015-1](#) [352188-1](#) [352629-1](#) [3-646529-0](#) [5120823-1](#) [5120899-1](#) [3-](#)  
[100145-0](#) [3-100147-0](#) [3-100669-1](#) [3-106081-0](#) [HM2DK2368PLF](#) [5646530-1](#) [3-352049-0](#) [3-352069-0](#) [3-352115-0](#) [3-352638-0](#) [352189-1](#) [3-](#)  
[646357-0](#) [3-646487-0](#) [3-646513-0](#) [106726-1](#) [114352](#)