

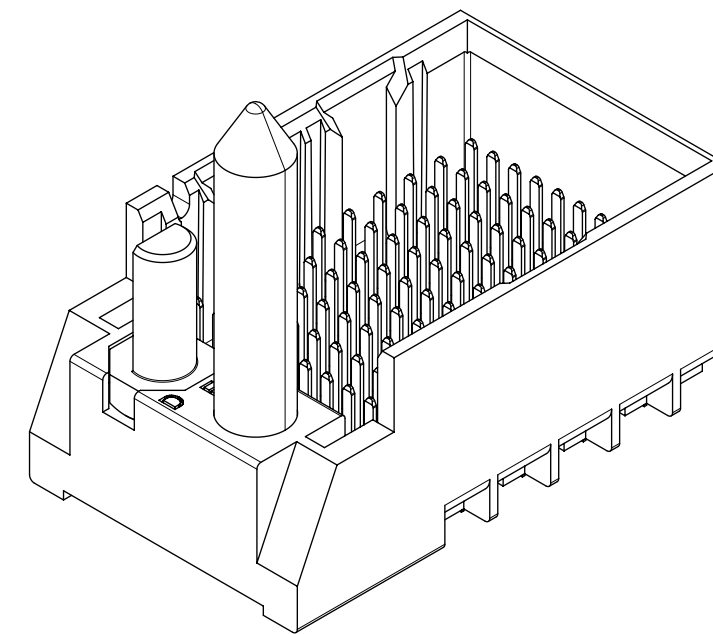
- NOTES:**
1. MATERIALS: HOUSING - LIQUID CRYSTAL POLYMER (LCP)
GLASS-FILLED, UL94V-0
TERMINALS - HIGH PERFORMANCE COPPER ALLOY
 2. FINISH: 30μ MIN GOLD IN CONTACT AREA.
SELECTIVE TIN ON PCB TAILS.
NICKEL OVERALL.
 3. REFER TO MOLEX PRODUCT SPECIFICATION PS-76060-999
FOR PERFORMANCE SPECIFICATIONS AND ADDITIONAL PCB INFORMATION.
 4. THIS PART CONFORMS TO CLASS B REQUIREMENTS OF
MOLEX COSMETIC SPEC PS-45499-002.
 5. PACKAGE PER: PK-70873-758.
 6. SEE SHEETS 2 & 3 FOR PART NUMBERS AND BOARD RELATIONSHIPS.
 7. FOR GROUNDED GUIDE PINS USE DIA. 3.56 +/-0.08 (PTH)
DIA. 3.66 (DRILL) AND DIA 6.5 (PAD).
 8. MATES WITH IMPACT DC SERIES NO. 76170.
 9. KEEP OUT ZONE FOR BP HOUSING LENGTH INCLUDES AN ADDITIONAL 1.0MM
TO ACCOMMODATE FOR SPACE REQUIRED BY DC FRONT HOUSING.
 10. REFER TO MOLEX PCB ROUTING GUIDE AS-76060-990 FOR ANTI PAD AND ROUTING RECOMMENDATIONS.
 11. CONNECTORS SUPPLIED WITH A 2-56 UNC-2A SCREW.
 12. "THESE DIMENSIONS REPRESENT THE AREA NEEDED TO ACCOMMODATE CONNECTOR INSERTION AND REPAIR ON THE PC BOARD. THIS IS REFERRED TO AS THE "CONNECTOR KEEP OUT ZONE" AND DOES NOT REPRESENT THE ACTUAL PERIMETER OF THE CONNECTOR. WHEN LAYING OUT A PC BOARD FOR CONNECTORS STACKED TOGETHER, USE A 1.9mm PROGRESSION."

THIS DRAWING CONTAINS INFORMATION THAT IS PROPRIETARY TO MOLEX ELECTRONIC TECHNOLOGIES, LLC AND SHOULD NOT BE USED WITHOUT WRITTEN PERMISSION									
DIMENSION UNITS		SCALE		CURRENT REV DESC: UPDATE VIEW					
mm		NTS							
GENERAL TOLERANCES (UNLESS SPECIFIED)				EC NO: 614858					
ANGULAR TOL ± 0.5°				DRWN: HLG0H		2019/03/27		IMPACT BP 3 PAIR	
4 PLACES ±				CHK'D: YLLIM		2019/03/27		LEFT GUIDED ASSEMBLY SALES DRAWING	
3 PLACES ±				APPR: DWLEE01		2019/04/03		PRODUCT CUSTOMER DRAWING	
2 PLACES ± 0.13				INITIAL REVISION:					
1 PLACE ± 0.25				DRWN: MSANDBER		2007/09/11		DOCUMENT NUMBER	
0 PLACES ±				APPR: JLAURX		2007/09/11		DOC TYPE	
DRAFT WHERE APPLICABLE MUST REMAIN WITHIN DIMENSIONS				THIRD ANGLE PROJECTION		DRAWING		DOC PART	
				D-SIZE		SERIES		REVISION	
				76165		MATERIAL NUMBER		PSD 001 H4	
				SEE TABLE		CUSTOMER		SHEET NUMBER	
				GENERAL MARKET				1 OF 3	

DOCUMENT STATUS	P1	RELEASE DATE	2019/04/03	14:28:36
-----------------	----	--------------	------------	----------

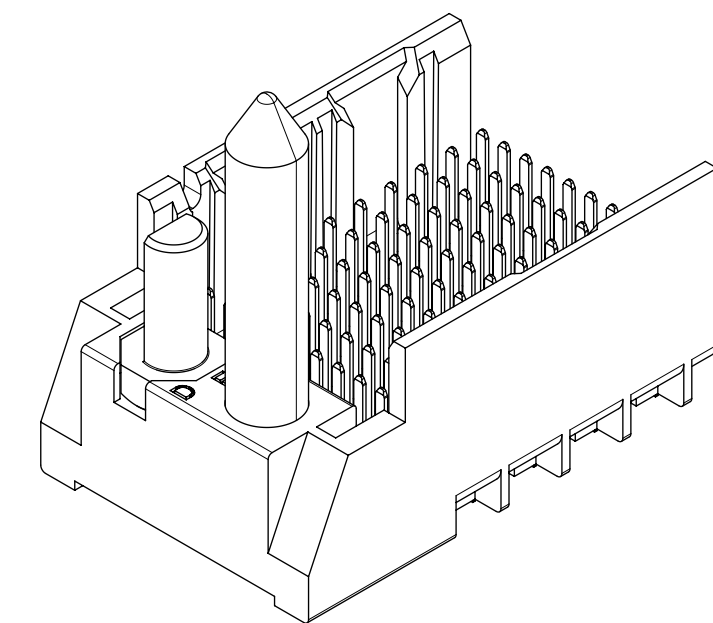
PART NUMBER CHART

MATERIAL NUMBER	# OF COLUMNS	# OF DIFF PAIR	DIM "A"	DIM "B"	
76165-*3**	6	18	19.3	9.50	GUIDE LEFT END WALL OPTION
76165-*8**	8	24	23.1	13.30	
76165-*1**	10	30	26.9	17.10	
76165-*6**	16	48	38.3	28.50	



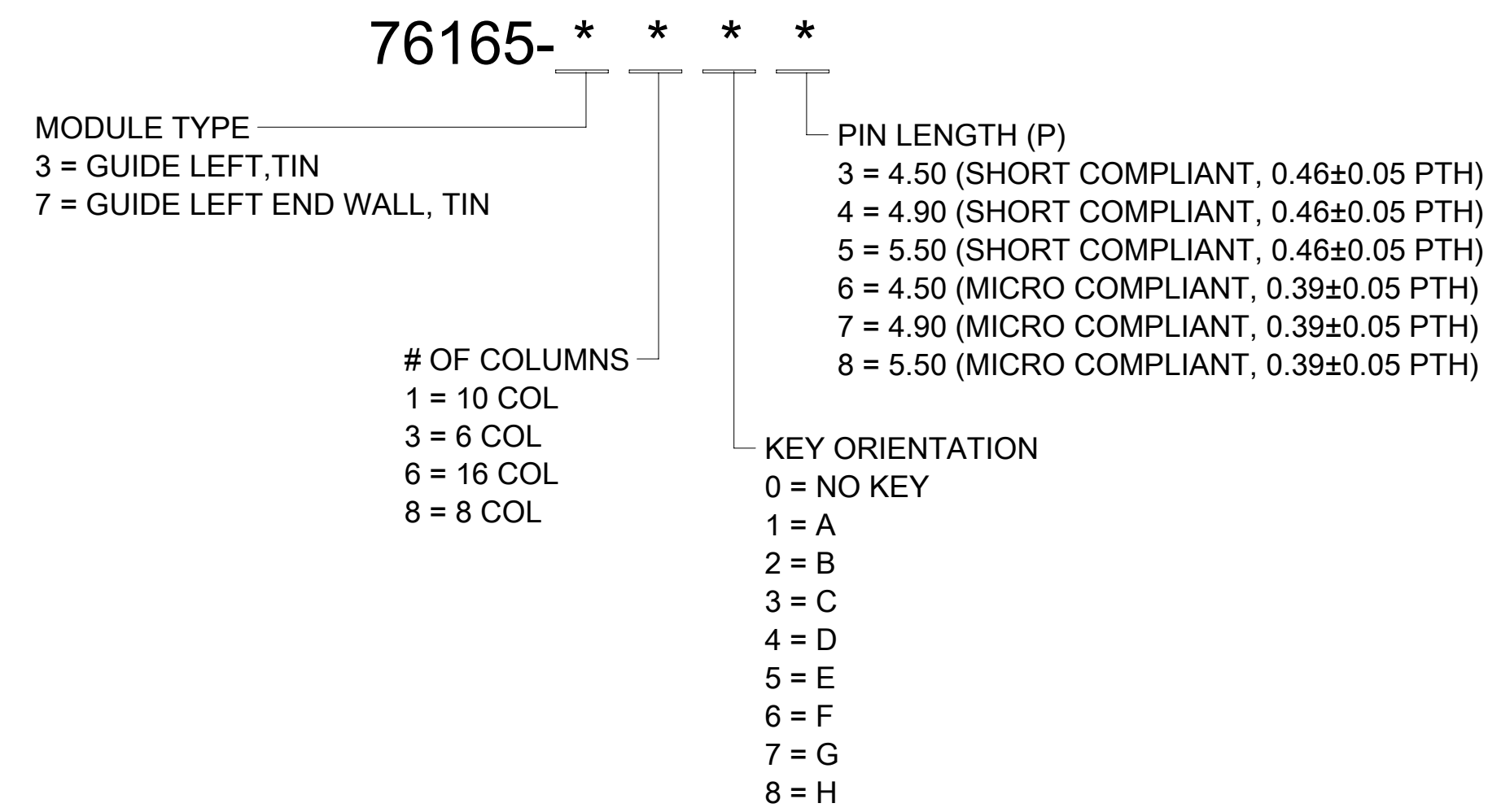
GUIDE LEFT
END WALL OPTION

MATERIAL NUMBER	# OF COLUMNS	# OF DIFF PAIR	DIM "A"	DIM "B"	
76165-*3**	6	18	17.9	9.50	GUIDE LEFT OPEN WALL OPTION
76165-*8**	8	24	21.7	13.30	
76165-*1**	10	30	25.5	17.10	
76165-*6**	16	48	36.9	28.50	



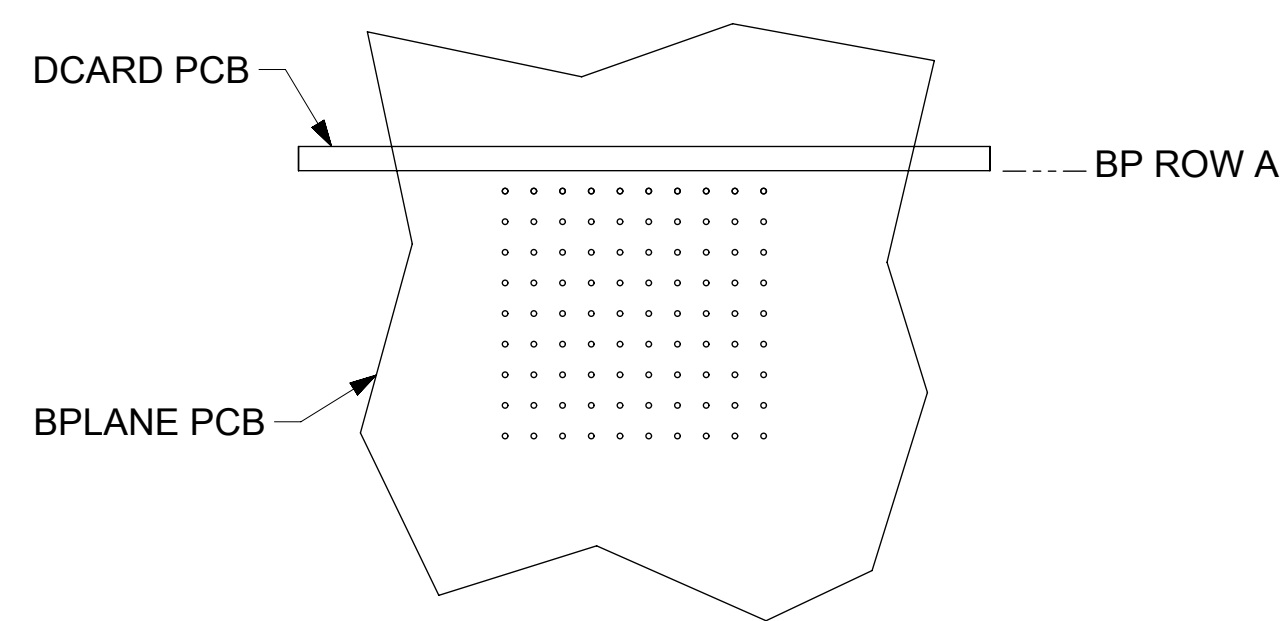
GUIDE LEFT
OPEN WALL OPTION

PART NUMBER LOGIC

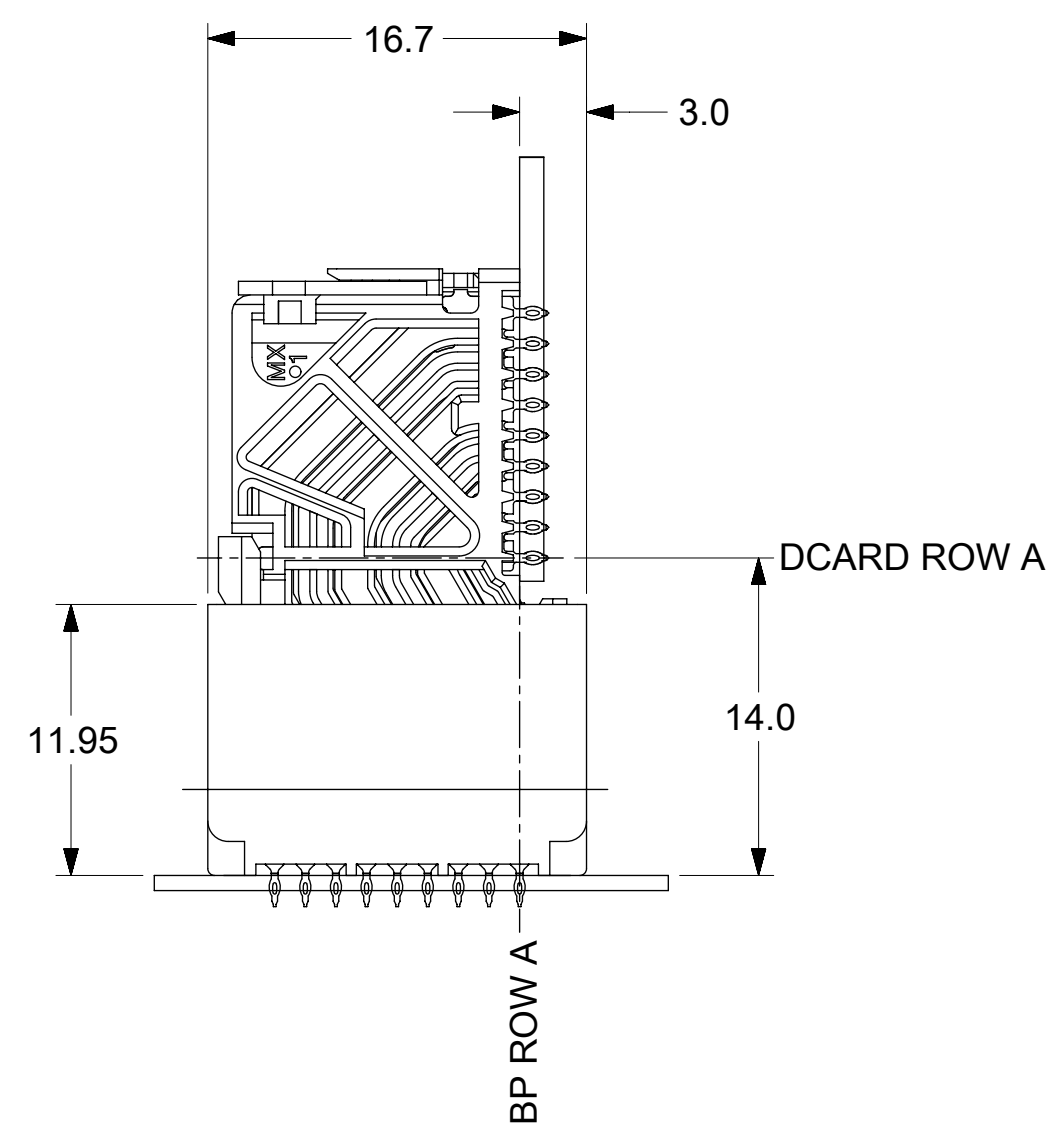
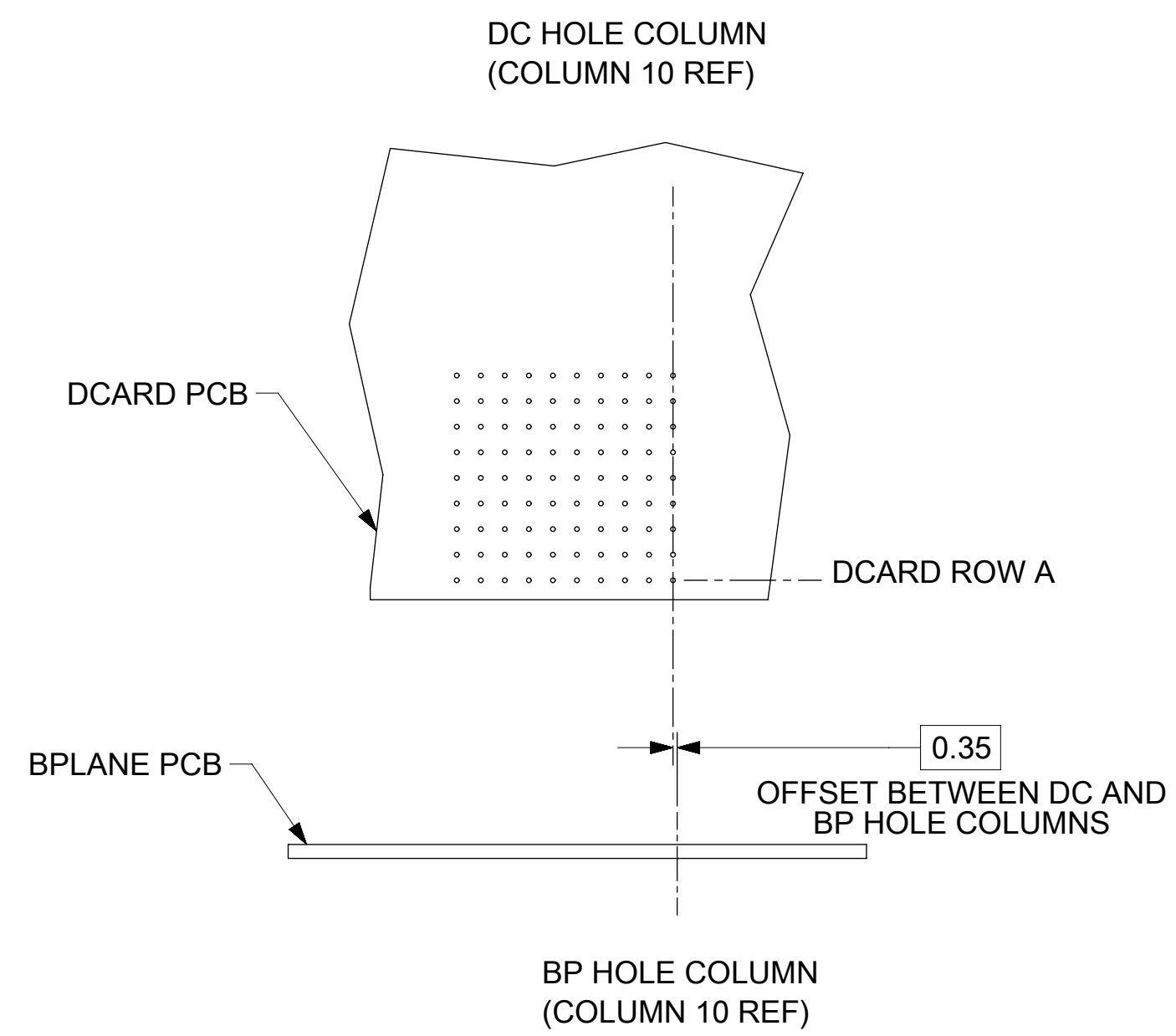


THIS DRAWING CONTAINS INFORMATION THAT IS PROPRIETARY TO MOLEX ELECTRONIC TECHNOLOGIES, LLC AND SHOULD NOT BE USED WITHOUT WRITTEN PERMISSION													
DIMENSION UNITS		SCALE		CURRENT REV DESC: UPDATE VIEW									
mm		NTS		molex									
GENERAL TOLERANCES (UNLESS SPECIFIED)				EC NO: 614858				IMPACT BP 3 PAIR					
ANGULAR TOL ± 0.5°				DRWN: HLG0H 2019/03/27				LEFT GUIDED ASSEMBLY SALES DRAWING					
4 PLACES ±				CHK'D: YLLIM 2019/03/27				PRODUCT CUSTOMER DRAWING					
3 PLACES ±				APPR: DWLEE01 2019/04/03				DOCUMENT NUMBER					
2 PLACES ± 0.13				INITIAL REVISION:				SD-76165-002		DOC TYPE		DOC PART	
1 PLACE ± 0.25				DRWN: MSANDBER 2007/09/11				PSD		001		H4	
0 PLACES ±				APPR: JLAURX 2007/09/11				SERIES		MATERIAL NUMBER		CUSTOMER	
DRAFT WHERE APPLICABLE MUST REMAIN WITHIN DIMENSIONS				THIRD ANGLE PROJECTION		DRAWING		76165		GENERAL MARKET		SHEET NUMBER	
				C-SIZE		SEE TABLE				2 OF 3			

12 11 10 9 8 7 6 5 4 3 2 1



**IMPACT 3 PAIR
BOARD RELATIONSHIPS**



THIS DRAWING CONTAINS INFORMATION THAT IS PROPRIETARY TO MOLEX ELECTRONIC TECHNOLOGIES, LLC AND SHOULD NOT BE USED WITHOUT WRITTEN PERMISSION													
DIMENSION UNITS		SCALE		CURRENT REV DESC: UPDATE VIEW									
mm		NTS		molex									
GENERAL TOLERANCES (UNLESS SPECIFIED)				EC NO: 614858				IMPACT BP 3 PAIR					
ANGULAR TOL ± 0.5°				DRWN: HLG0H 2019/03/27				LEFT GUIDED ASSEMBLY SALES DRAWING					
4 PLACES ±				CHK'D: YLLIM 2019/03/27				PRODUCT CUSTOMER DRAWING					
3 PLACES ±				APPR: DWLEE01 2019/04/03				DOCUMENT NUMBER					
2 PLACES ± 0.13				INITIAL REVISION:				SD-76165-002		DOC TYPE		DOC PART	
1 PLACE ± 0.25				DRWN: MSANDBER 2007/09/11				PSD		001		H4	
0 PLACES ±				APPR: JLAURX 2007/09/11				CUSTOMER		GENERAL MARKET		REVISION	
DRAFT WHERE APPLICABLE MUST REMAIN WITHIN DIMENSIONS				THIRD ANGLE PROJECTION		DRAWING		SERIES		MATERIAL NUMBER		SHEET NUMBER	
				C-SIZE		76165		SEE TABLE		GENERAL MARKET		3 OF 3	

12 11 10 9 8 7 6 5 4 3 2 1

X-ON Electronics

Largest Supplier of Electrical and Electronic Components

Click to view similar products for [High Speed/Modular Connectors](#) category:

Click to view products by [Molex](#) manufacturer:

Other Similar products are found below :

[2332816-1](#) [89006-1137LF](#) [650827-1](#) [65762-001LF](#) [73474-201LF](#) [74040-1346](#) [74075-0267](#) [88911-201LF](#) [9514M0C20D](#) [1410191-1](#)
[1410337-1](#) [1410368-3](#) [1410964-2](#) [1410326-3](#) [1410367-3](#) [1410971-4](#) [1467833-1](#) [2000877-1](#) [2000878-1](#) [2041314-1](#) [2065387-1](#) [2187307-1](#)
[2187462-1](#) [2226278-6](#) [KA81-07](#) [91290-101LF](#) [1934290-1](#) [2000875-1](#) [2065917-1](#) [2102736-2](#) [FSR-40](#) [2169868-2](#) [2226279-2](#) [22354-8](#) [437-](#)
[5040-000](#) [5-1393565-0](#) [532449-3](#) [532803-2](#) [34745-0001](#) [0740618502](#) [0760151403](#) [0760551105](#) [0760551608](#) [0761451128](#) [0761651124](#)
[0761655108](#) [0761659807](#) [0769853208](#) [0736440217](#) [0758324203](#)