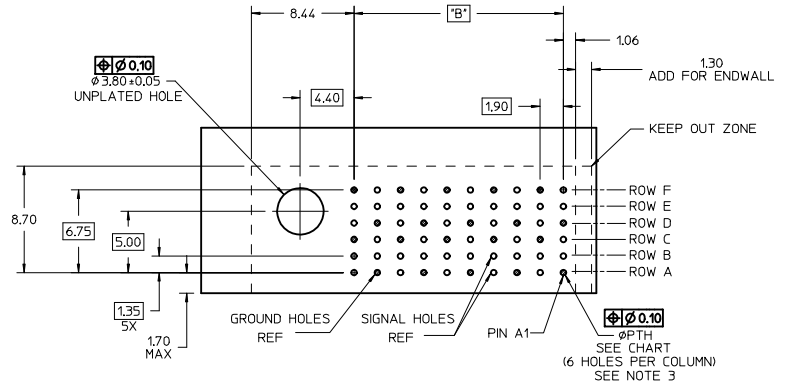
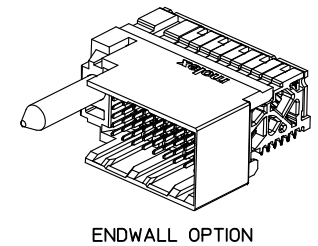
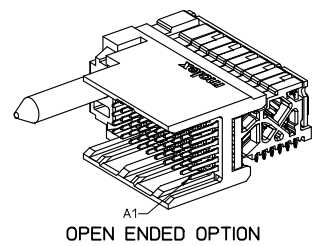
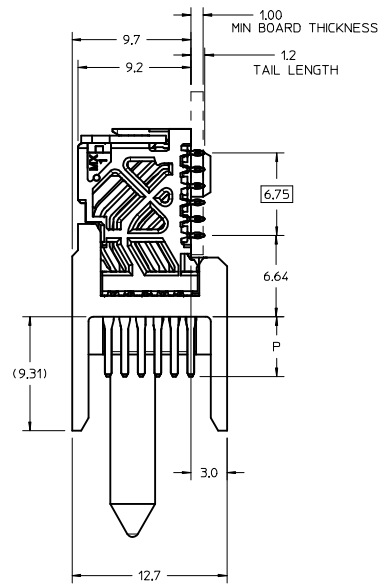
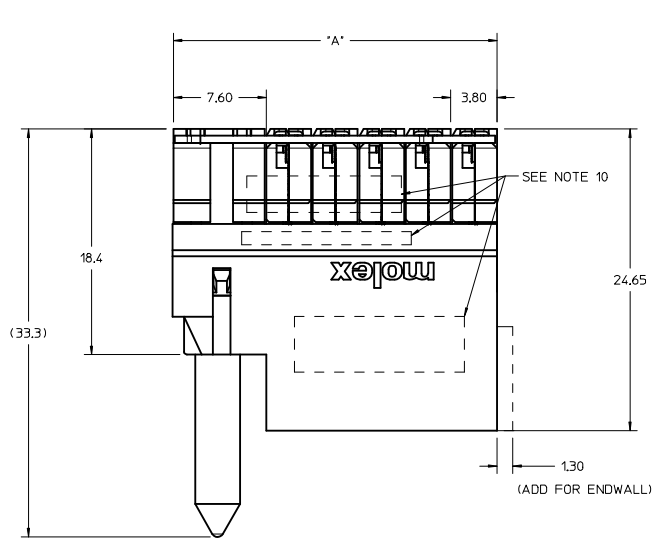


MATERIAL NUMBER	# OF COLUMNS	# OF DIFF PAIR	DIM 'A' MAX	DIM 'B'
76450-x10*	10	20	26.60	17.10
76450-x60*	16	32	38.00	28.50

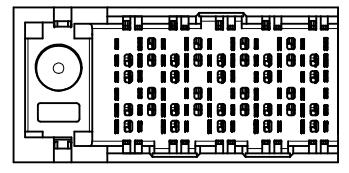
76450-***0*

- MODULE TYPE
- 3 = LEFT GUIDED LEAD-FREE
 - 7 = LEFT GUIDED LEAD-FREE W/ ENDWALL
- PIN LENGTH (P)
- 4 = 4.90 (0.46 PTH)
 - 5 = 5.50 (0.46 PTH)
 - 7 = 4.90 (0.39 PTH)
 - 8 = 5.50 (0.39 PTH)
- # OF COLUMNS
- 1 = 10 COL
 - 6 = 16 COL

- NOTES:
1. MATERIALS: HOUSING - LIQUID CRYSTAL POLYMER (LCP), GLASS-FILLED, UL94V-0 TERMINALS - HIGH PERFORMANCE COPPER ALLOY
 2. FINISH: 30µm SELECTIVE GOLD IN CONTACT AREA, SELECTIVE TIN ON PCB TAILS, NICKEL OVERALL.
 3. FOR FURTHER INFORMATION SEE PRODUCT SPECIFICATION PS-76060-999.
 4. EACH SIGNAL WAFER CONTAINS 2 COLUMNS OF TERMINALS.
 5. PRODUCT TO BE PACKAGED PER PACKAGING SPECIFICATION PK-70873-077.
 6. THIS PART CONFORMS TO CLASS B REQUIREMENTS OF COSMETIC SPEC PS-45199-002.
 7. REFER TO MOLEX SALES DRAWING SD-76460-004 FOR MATING DAUGHTERCARDS.
 8. REFER TO MOLEX PCB ROUTING GUIDE AS-76060-990 FOR ANTIPAD AND ROUTING RECOMMENDATIONS.
 9. WHEN USING MOLEX SUPPLIED #2-32 SCREW 73726-0005 (7.62 +0.38/-0.76 mm THREADABLE SCREW LENGTH), THE BOARD THICKNESS RANGE IS 1.60 TO 3.85 mm.
 10. MARKING: LOCATED APPROXIMATELY AS SHOWN. PART NUMBER AND DATE CODE.

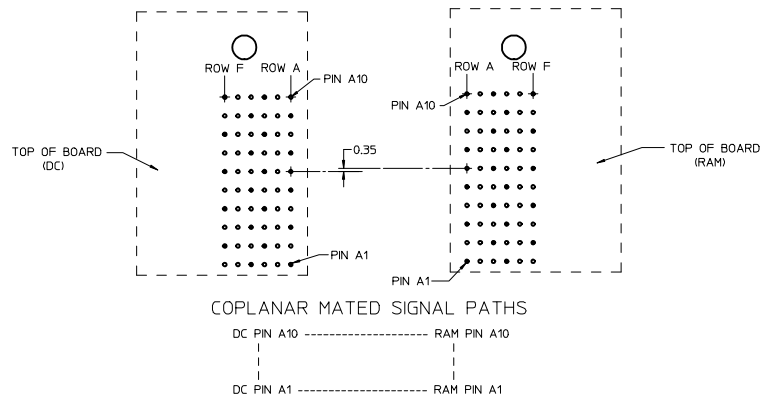
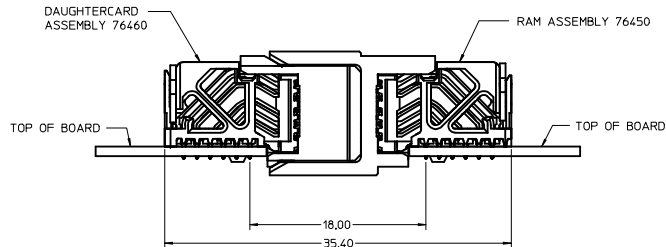


RAM HOLE PATTERN
(CONNECTOR SIDE)



ADD LASER MARK INFO EC NO: UCP2016-3973 DRAWN BY: DRWNSWARA CHECKED BY: CHOKTELO APPROVED BY: APPR:TELO DATE: 2015/07/29 DATE: 2016/02/22 DATE: 2016/04/20	QUALITY SYMBOLS ∇=0 ∇=0 ∇=0	GENERAL TOLERANCES (UNLESS SPECIFIED)		DIMENSION STYLE MM ONLY	SCALE 5:1	DESIGN UNITS METRIC	THIRD ANGLE PROJECTION
		4 PLACES ± mm ± INCH 3 PLACES ± 0.13 ± INCH 2 PLACES ± 0.25 ± INCH 0 PLACE ± INCH	DRAWN BY: JJONIAK CHECKED BY: JLAURX APPROVED BY: JLAURX DATE: 2009/07/06 DATE: 2009/07/06 DATE: 2010/02/09	TITLE IMPACT 100 OHM 2 PAIR RAM LEFT GUIDED SALES DRAWING	SHEET NO. 1 OF 2		
		ANGULAR ±1/2° DRAFT WHERE APPLICABLE MUST REMAIN WITHIN DIMENSIONS	SEE TABLE	MATERIAL NO. SD-76450-002	DOCUMENT NO. SD-76450-002		
		THIS DRAWING CONTAINS INFORMATION THAT IS PROPRIETARY TO MOLEX INCORPORATED AND SHOULD NOT BE USED WITHOUT WRITTEN PERMISSION					

COPLANAR APPLICATION



SEE SHEET 1 EC NO: UCP2016-3973 DRAWN BY: MARVARA CHKD BY: CHIO APPR: ILO 2015/07/29 2016/02/22 2016/04/20	QUALITY SYMBOLS	GENERAL TOLERANCES (UNLESS SPECIFIED)	DIMENSION STYLE	SCALE	DESIGN UNITS	THIRD ANGLE PROJECTION
	▽=0	4 PLACES ± --- ± ---	MM ONLY	5:1	METRIC	
	▽=0	3 PLACES ± --- ± ---				
	▽=0	2 PLACES ± 0.13 ± ---				
		1 PLACE ± 0.25 ± ---				
		0 PLACE ± --- ± ---				
		ANGULAR ± 1/2°				
		DRAFT WHERE APPLICABLE MUST REMAIN WITHIN DIMENSIONS				
			MATERIAL NO.	DOCUMENT NO.		SHEET NO.
			SEE TABLE	SD-76450-002		2 OF 2
			THIS DRAWING CONTAINS INFORMATION THAT IS PROPRIETARY TO MOLEX INCORPORATED AND SHOULD NOT BE USED WITHOUT WRITTEN PERMISSION			

IMPACT 100 OHM
2 PAIR RAM LEFT GUIDED
SALES DRAWING

molex

X-ON Electronics

Largest Supplier of Electrical and Electronic Components

Click to view similar products for [High Speed/Modular Connectors](#) category:

Click to view products by [Molex](#) manufacturer:

Other Similar products are found below :

[2332816-1](#) [89006-1137LF](#) [650827-1](#) [65762-001LF](#) [73474-201LF](#) [74040-1346](#) [74075-0267](#) [88911-201LF](#) [9514M0C20D](#) [1410191-1](#)
[1410337-1](#) [1410368-3](#) [1410964-2](#) [1410326-3](#) [1410367-3](#) [1410971-4](#) [1467833-1](#) [2000877-1](#) [2000878-1](#) [2041314-1](#) [2065387-1](#) [2187307-1](#)
[2187462-1](#) [2226278-6](#) [KA81-07](#) [91290-101LF](#) [1934290-1](#) [2000875-1](#) [2065917-1](#) [2102736-2](#) [FSR-40](#) [2169868-2](#) [2226279-2](#) [22354-8](#) [437-](#)
[5040-000](#) [5-1393565-0](#) [532449-3](#) [532803-2](#) [34745-0001](#) [0740618502](#) [0760151403](#) [0760551105](#) [0760551608](#) [0761451128](#) [0761651124](#)
[0761655108](#) [0761659807](#) [0769853208](#) [0736440217](#) [0758324203](#)