

PLEASE CHECK WWW.MOLEX.COM FOR LATEST PART INFORMATION

Part Number: [0764509607](#)
Status: **Active**
Overview: Impact Backplane Connector and Cable Assembly System
Description: Impact 100 Ohm 2 Pair Right-Angle Male Header, Right Guided, Left Endwall, 16 Columns, 96 Circuits, Pin Length 4.90mm, Plated Through Hole Dimension 0.39mm, Lead-Free

Documents:

3D Model	Application Specification AS-76060-994-001 (PDF)
Drawing (PDF)	Application Specification AS-76060-9999-001 (PDF)
3D Model (PDF)	Packaging Specification PK-70873-077-001 (PDF)
Product Specification PS-76060-999-001 (PDF)	Symbol Footprint Data SYM-76450-9607-001 (PDF)
Application Specification AS-76060-990-001 (PDF)	RoHS Certificate of Compliance (PDF)

Agency Certification

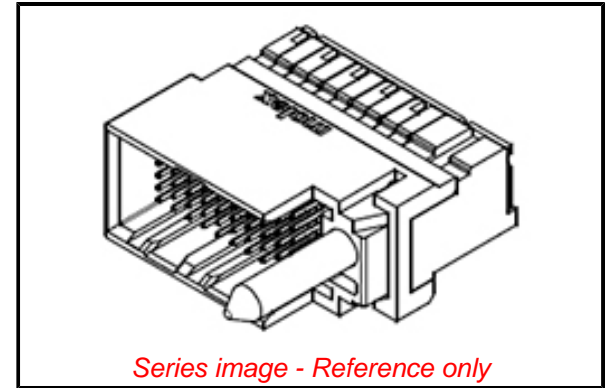
UL E29179

General

Product Family	Backplane Connectors
Series	76450
Application	Coplanar
Application Tooling Documents	TM-622018799-001
Component Type	PCB Header
Overview	Impact Backplane Connector and Cable Assembly System
Product Name	Impact
UPC	884982414297

Physical

Circuits (Loaded)	96
Circuits (maximum)	96
Color - Resin	Black
Durability (mating cycles max)	200
First Mate / Last Break	No
Flammability	94V-0
Guide to Mating Part	Yes
Keying to Mating Part	None
Material - Metal	High Performance Alloy (HPA)
Material - Plating Mating	Gold
Material - Plating Termination	Tin
Material - Resin	High Temperature Thermoplastic
Net Weight	18.196/g
Number of Columns	16
Number of Pairs	2
Number of Rows	6
Orientation	Right Angle
PC Tail Length	1.20mm
PCB Locator	No
PCB Retention	Yes
PCB Thickness - Recommended	1.00mm
Packaging Type	Tray
Pitch - Mating Interface	1.90mm
Pitch - Termination Interface	1.90mm
Plating min - Mating	0.762µm
Polarized to PCB	Yes
Stackable	No
Temperature Range - Operating	-55° to +85°C



EU ELV

Not Relevant

EU RoHS

Compliant

REACH SVHC

Not Contained Per -
D(2021)4569-DC (8
July 2021)

Halogen-Free

Status

Low-Halogen

For more information, please visit [Contact US](#)

China ROHS

ELV

RoHS Phthalates

China RoHS

Green Image

Not Relevant

Not Contained

Search Parts in this Series

[76450](#) Series

Mates With

[76460](#) Impact 100 Ohm Daughtercard

Termination Interface: Style

Through Hole - Compliant Pin

Electrical

Current - Maximum per Contact

0.75A

Data Rate

25.0 Gbps

Impedance

100Ω

Shield Type

N/A

Shielded

No

Voltage - Maximum

30V AC (RMS)/DC

Material Info

Reference - Drawing Numbers

Application Specification

AS-76060-990-001, AS-76060-994-001,
AS-76060-9999-001

Electrical Model Document

EE-76450-002-001, EE-76450-50G-001

Packaging Specification

PK-70873-077-001

Product Specification

PS-76060-999-001

S-Parameter Model

SP-76450-002-001, SP-76450-50G-001

Sales Drawing

SD-76450-004-001

Symbol/Footprint Data

SYM-76450-9607-001

This document was generated on 01/03/2022

PLEASE CHECK WWW.MOLEX.COM FOR LATEST PART INFORMATION

X-ON Electronics

Largest Supplier of Electrical and Electronic Components

Click to view similar products for [High Speed/Modular Connectors](#) category:

Click to view products by [Molex](#) manufacturer:

Other Similar products are found below :

[650827-1](#) [74040-1346](#) [1410191-1](#) [1410337-1](#) [1410368-3](#) [1410964-2](#) [1410326-3](#) [1410367-3](#) [1410971-4](#) [1467833-1](#) [2000877-1](#) [2000878-1](#)
[2041314-1](#) [2065387-1](#) [2187307-1](#) [163P](#) [1934290-1](#) [2000875-1](#) [2065917-1](#) [2102736-2](#) [FSR-40](#) [2169868-2](#) [22354-8](#) [437-5040-000](#) [5-](#)
[1393565-0](#) [039-0246-000](#) [0761601016](#) [0784461022](#) [10123159-12ELF](#) [030-2415-003/100 PK](#) [030-7380-004](#) [030-2494-001](#) [532939-1](#)
[5532901-3](#) [3-1469268-7](#) [74748-102LF](#) [73670-0247](#) [10041743-101LF](#) [10066670-100002LF](#) [1-533915-1](#) [249-4515-000](#) [7-1469373-3](#) [DL2-](#)
[2J/S](#) [2000713-8](#) [2000713-7](#) [10124313-101LF](#) [3011-21](#) [757105208](#) [EBTF-4-10-2.0-S-RA-1](#) [430305-001](#)