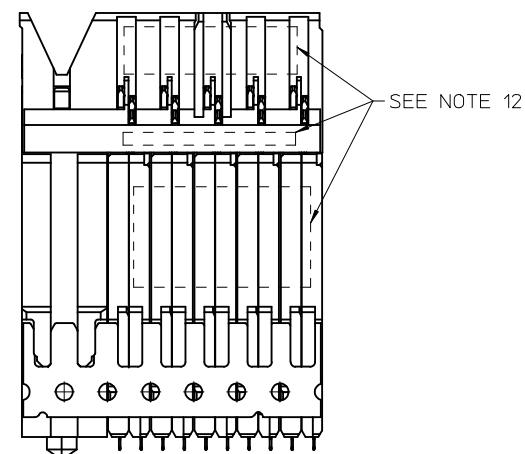
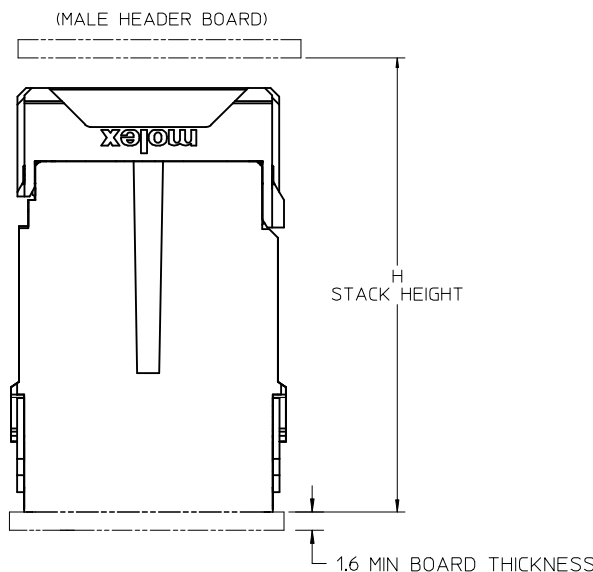
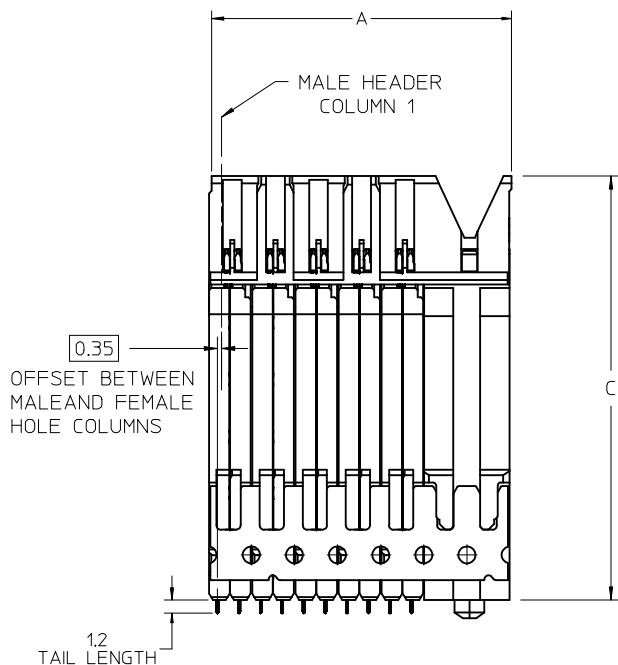


NO KEYED OPTION SHOWN

NOTES:

1. MATERIALS: HOUSING - LIQUID CRYSTAL POLYMER (LCP), GLASS FILLED, UL94V-0
TERMINALS - HIGH PERFORMANCE COPPER ALLOY
2. FINISH: 30 μ in MIN SELECTIVE GOLD IN CONTACT AREA.
SELECTIVE MATTE TIN ON PCB TAILS, NICKEL OVERALL.
3. EACH SIGNAL WAFER CONTAINS TWO COLUMNS OF TERMINALS.
4. PARTS SHALL BE PACKAGED IN TRAYS PER PACKAGING SPEC PK-70873-0040 (40mm)
OR PK-70873-0043 (38mm).
5. FOR FURTHER INFORMATION SEE PRODUCT SPECIFICATION PS-76060-999
6. THIS PART CONFORMS TO CLASS B REQUIREMENTS OF COSMETIC SPECIFICATION
PS-45499-002.
7. PART SHOWN HAS AN OVERALL STACK HEIGHT OF 40mm. VARYING STACK HEIGHTS
MAY BE AVAILABLE UPON REQUEST.
8. REFER TO MOLEX SALES DRAWING SD-76055-003 FOR THE MATING HEADERS.
9. REFER TO MOLEX PCB ROUTING GUIDE AS-76060-990 FOR ANTI PAD AND ROUTING
RECOMMENDATIONS.
10. CONNECTORS SUPPLIED WITH A MOUNTING SCREW.
11. "THESE DIMENSIONS REPRESENT THE AREA NEEDED TO ACCOMMODATE CONNECTOR
INSERTION & REPAIR ON THE PC BOARD. THIS IS REFERRED TO AS THE
"CONNECTOR KEEP OUT ZONE" AND DOES NOT REPRESENT THE ACTUAL PERIMETER
OF THE CONNECTOR. WHEN LAYING OUT A PC BOARD WITH CONNECTORS STACKED
TOGETHER, USE A 1.90mm PROGRESSION."
12. MARKING: LOCATED APPROXIMATELY AS SHOWN. PART NUMBER AND DATE CODE.



ADD LASER MARK INFO EC NO: UCP2016-3973 DRWNG:VARVARA 2015/08/24 CHKD:TELO 2016/02/22 APPR:TELO 2016/04/20	QUALITY SYMBOLS 	GENERAL TOLERANCES (UNLESS SPECIFIED)		DIMENSION STYLE MM ONLY	SCALE 3:1	DESIGN UNITS METRIC	THIRD ANGLE PROJECTION		
		4 PLACES \pm --- \pm ---	3 PLACES \pm --- \pm ---	2 PLACES \pm 0.13 \pm ---	1 PLACE \pm 0.25 \pm ---	0 PLACE \pm --- \pm ---	TITLE IMPACT 5-PAIR VERTICAL MEZZANINE RIGHT GUIDED SALES DWG		
		ANGULAR \pm 1/2°		MATERIAL NO. SEE TABLE		DOCUMENT NO. SD-76530-004			
		DRAFT WHERE APPLICABLE MUST REMAIN WITHIN DIMENSIONS		SIZE 		SHEET NO. 1 OF 2			

PART NUMBER	# OF COLUMNS	# OF DIFF PAIR	DIM "A"	DIM "B"	DIM "C"	STACK HEIGHT (H)
76530-***30	10	50	26.6	17.10	35.36	38.00
76530-***32	12	60	30.4	20.90	35.36	38.00
76530-***37	14	70	34.2	24.70	35.36	38.00
76530-***36	16	80	38.0	28.50	35.36	38.00
76530-***40	10	50	26.6	17.10	37.36	40.00
76530-***42	12	60	30.4	20.90	37.36	40.00
76530-***47	14	70	34.2	24.70	37.36	40.00
76530-***46	16	80	38.0	28.50	37.36	40.00

76530-****

MODULE & TAIL PLATING TYPE
5 = RIGHT GUIDED LEAD-FREE

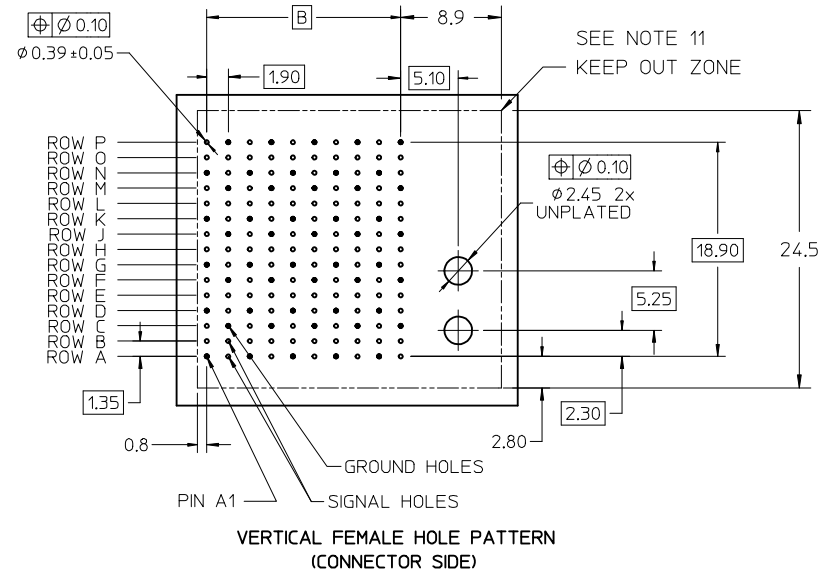
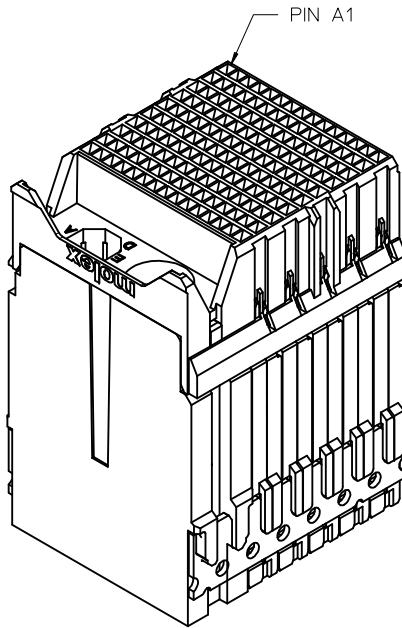
OF COLUMNS
0 = 10 COL MICRO COMPLIANT
2 = 12 COL MICRO COMPLIANT
6 = 16 COL MICRO COMPLIANT
7 = 14 COL MICRO COMPLIANT

POLARIZATION KEY ORIENTATION

0 = NO KEY
1 = A 5 = E
2 = B 6 = F
3 = C 7 = G
4 = D 8 = H

STACK HEIGHT
3 = 38mm
4 = 40mm

10 COLUMN
40 MM STACK HEIGHT



SEE SHEET 1 EC NO: UCP2016-3973 DRWNG: VYARARA 2015/08/24 CHKD: TELO 2016/02/22 APPR: TELO 2016/04/20	DESCRIPTION H3	QUALITY SYMBOLS	GENERAL TOLERANCES (UNLESS SPECIFIED)	DIMENSION STYLE	SCALE	DESIGN UNITS	THIRD ANGLE PROJECTION																		
		$\nabla = 0$ $\nabla = 0$ $\nabla = 0$	<table border="1"> <thead> <tr> <th></th> <th>mm</th> <th>INCH</th> </tr> </thead> <tbody> <tr> <td>4 PLACES</td> <td>± ---</td> <td>± ---</td> </tr> <tr> <td>3 PLACES</td> <td>± ---</td> <td>± ---</td> </tr> <tr> <td>2 PLACES</td> <td>± 0.13</td> <td>± ---</td> </tr> <tr> <td>1 PLACE</td> <td>± 0.25</td> <td>± ---</td> </tr> <tr> <td>0 PLACE</td> <td>± ---</td> <td>± ---</td> </tr> </tbody> </table>		mm	INCH	4 PLACES	± ---	± ---	3 PLACES	± ---	± ---	2 PLACES	± 0.13	± ---	1 PLACE	± 0.25	± ---	0 PLACE	± ---	± ---	MM ONLY	3:1	METRIC	
			mm	INCH																					
		4 PLACES	± ---	± ---																					
3 PLACES	± ---	± ---																							
2 PLACES	± 0.13	± ---																							
1 PLACE	± 0.25	± ---																							
0 PLACE	± ---	± ---																							
DRAFT WHERE APPLICABLE MUST REMAIN WITHIN DIMENSIONS	DRAWN BY: JJONIAK CHECKED BY: TELO APPROVED BY: JLAURX DATE: 2008/10/13 DATE: 2008/10/13 DATE: 2010/11/04	TITLE IMPACT 5-PAIR VERTICAL MEZZANINE RIGHT GUIDED SALES DWG 																							
		MATERIAL NO. SEE TABLE	DOCUMENT NO. SD-76530-004	SHEET NO. 2 OF 2																					

X-ON Electronics

Largest Supplier of Electrical and Electronic Components

Click to view similar products for [Board to Board & Mezzanine Connectors](#) category:

Click to view products by [Molex](#) manufacturer:

Other Similar products are found below :

[10135583-642402LF](#) [89885-310LF](#) [589158040000018](#) [6-1393048-0](#) [68683-613](#) [MDF7-12DP-2.54DSA](#) [MDF7-18P-2.54DSA\(01\)](#) [MDF7-20DP-2.54DSA](#) [MDF7-26D-2.54DSA\(55\)](#) [MDF7-3P-2.54DSA\(01\)](#) [MDF7B-3P-2.54DSA\(55\)](#) [MDF7C-11P-2.54DSA\(55\)](#) [MDF7C-18P-2.54DSA\(55\)](#) [MDF7C-5P-2.54DSA\(01\)](#) [MDF7P-5P-2.54DSA\(55\)](#) [75234-0516](#) [FCN-230C068-11](#) [FCN-268F012-G/BD](#) [FCN-268F036-G/BD](#) [FCN-268M012-G/0D](#) [FCN-268M024-G/1D](#) [FCN-360C008-C](#) [FCN-360C040-C](#) [FCN-723J004/1](#) [MIS-048-01-F-D-DP-K](#) [832-10-034-10-001000](#) [93696-325LF](#) [11828-1FA](#) [AXK630345P](#) [18097-0013](#) [ICA-328STT](#) [2007042-2](#) [304400-2](#) [FCN-214Q030-G/0](#) [FCN-215Q040-G/0](#) [FCN-230C068-ESA](#) [FCN-234P048-G/0](#) [FCN-235D050-G/C](#) [FCN-360A3](#) [FCN-360C040-B](#) [210-93-314-41-105000](#) [2-22603-0](#) [379-064-521-202](#) [MDF7-12P-2.54DSA\(01\)](#) [MDF7-16P-2.54DS\(56\)](#) [MDF7-40DP-2.54DSA\(55\)](#) [MDF7-8P-2.54DSA\(55\)](#) [MDF7B-16P-2.54DSA\(55\)](#) [AXG720047](#) [5031084030](#)