

**PLEASE CHECK WWW.MOLEX.COM FOR LATEST PART INFORMATION**

**Part Number:** **0767628501**  
**Status:** **Active**  
**Overview:** VHDM H-Series Backplane Connectors  
**Description:** VHDM H-Series Single-Ended Board-to-Board Backplane Header, 2.00mm Pitch, Vertical, 6 Rows, Guide Pin, Shield End Module, Open End Version, 150 Circuits, Pin Length 4.75mm

**Documents:**

[Drawing \(PDF\)](#) [RoHS Certificate of Compliance \(PDF\)](#)  
[Packaging Specification PK-74058-003 \(PDF\)](#)

**General**

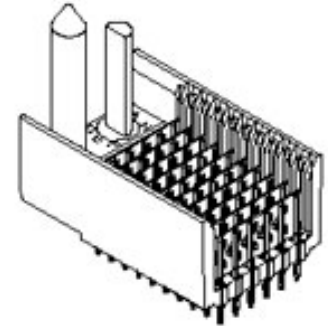
|                               |  |
|-------------------------------|--|
| Product Family                | Backplane Connectors                               |
| Series                        | <a href="#">76762</a>                              |
| Application                   | Backplane  |
| Application Tooling Documents | TM-622010999                                       |
| Comments                      | No Keying Position, No Keying Position             |
| Component Type                | PCB Header   |
| Overview                      | <a href="#">VHDM H-Series Backplane Connectors</a> |
| Product Name                  | VHDM H-Series                                      |
| UPC                           | 884982231313                                       |

**Physical**

|                                |                                |
|--------------------------------|--------------------------------|
| Circuits (Loaded)              | 150                            |
| Circuits (maximum)             | 150                            |
| Color - Resin                  | Black                          |
| Durability (mating cycles max) | 200                            |
| First Mate / Last Break        | No                             |
| Guide to Mating Part           | Yes                            |
| Keying to Mating Part          | None                           |
| Material - Metal               | Copper Alloy                   |
| Material - Plating Mating      | Gold                           |
| Material - Plating Termination | Matte Tin                      |
| Material - Resin               | High Temperature Thermoplastic |
| Net Weight                     | 13.515/g                       |
| Number of Columns              | 25                             |
| Number of Pairs                | Open Pin Field                 |
| Number of Rows                 | 6                              |
| Orientation                    | Vertical                       |
| PC Tail Length                 | 1.83mm                         |
| PCB Locator                    | No                             |
| PCB Retention                  | None                           |
| PCB Thickness - Recommended    | 1.83mm                         |
| Packaging Type                 | Tube                           |
| Pitch - Mating Interface       | 2.00mm                         |
| Pitch - Termination Interface  | 1.00mm                         |
| Plating min - Mating           | 0.762µm                        |
| Plating min - Termination      | 0.762µm                        |
| Polarized to PCB               | Yes                            |
| Surface Mount Compatible (SMC) | Yes                            |
| Temperature Range - Operating  | -55° to +85°C                  |
| Termination Interface: Style   | Through Hole - Compliant Pin   |

**Electrical**

|                               |                     |
|-------------------------------|---------------------|
| Current - Maximum per Contact | 2.0A                |
| Data Rate                     | 6.25 Gbps           |
| Shield Type                   | Ground Plane Shield |



Series image - Reference only

**EU ELV**

**Not Relevant**

**EU RoHS**

**Not Reviewed**

**REACH SVHC**

Not Reviewed

**Halogen-Free**

**Status**

**Not Reviewed**

For more information, please visit [Contact US](#)

China ROHS

Not Reviewed

ELV

Not Relevant

RoHS Phthalates

Not Reviewed

**Search Parts in this Series**

[76762 Series](#)

**Application Tooling | FAQ**

*Tooling specifications and manuals are found by selecting the products below.*

*Crimp Height Specifications are then contained in the Application Tooling Specification document.*

**Global**

| Description   | Product #                 |
|---|---------------------------|
| Signal Pin Inserter Repair Tool   | <a href="#">622015700</a> |
| 6-Row Pin and Shield Repair Tool  | <a href="#">622015800</a> |
| 6-Row Shield Extraction Tool  | <a href="#">622016000</a> |
| Insertion Module for Standard Shield Signal Header, 6-Row by 25-Wide, 50.00mm | <a href="#">622020208</a> |

|                   |                  |
|-------------------|------------------|
| Shielded          | Yes              |
| Voltage - Maximum | 120V AC (RMS)/DC |

**Solder Process Data**

|                              |     |
|------------------------------|-----|
| Lead-free Process Capability | N/A |
|------------------------------|-----|

**Material Info**

**Reference - Drawing Numbers**

|                         |              |
|-------------------------|--------------|
| Packaging Specification | PK-74058-003 |
| Sales Drawing           | SD-76762-001 |

This document was generated on 02/15/2020

**PLEASE CHECK [WWW.MOLEX.COM](http://WWW.MOLEX.COM) FOR LATEST PART INFORMATION**

## X-ON Electronics

Largest Supplier of Electrical and Electronic Components

*Click to view similar products for [Hard Metric Connectors](#) category:*

*Click to view products by [Molex](#) manufacturer:*

Other Similar products are found below :

[6345127-1](#) [646916-9](#) [6469658-1](#) [973108](#) [1-2000713-0](#) [1-2000713-2](#) [1-2000713-3](#) [1645343-1](#) [1645456-1](#) [1645594-1](#) [1645595-1](#) [1645601-1](#)  
[1934822-1](#) [278071110010833](#) [1645179-1](#) [1645245-1](#) [1645457-1](#) [1645525-1](#) [1645570-1](#) [1645596-1](#) [17041102202](#) [17-8072-125-000-863+](#)  
[1857470-1](#) [1934275-1](#) [1934289-1](#) [1934759-1](#) [2000673-1](#) [2170292-2](#) [2-536642-6](#) [3-106015-1](#) [352188-1](#) [352629-1](#) [3-646529-0](#) [5120823-1](#)  
[5120899-1](#) [3-100145-0](#) [3-100147-0](#) [3-100669-1](#) [3-106081-0](#) [HM2DK2368PLF](#) [5646530-1](#) [3-352049-0](#) [3-352069-0](#) [3-352115-0](#) [3-352638-0](#)  
[352189-1](#) [3-646357-0](#) [3-646487-0](#) [3-646513-0](#) [106726-1](#)