

PLEASE CHECK WWW.MOLEX.COM FOR LATEST PART INFORMATION

Part Number: [0768661125](#)
Status: **Active**
Overview: [iPass+ HD Interconnect System](#)
Description: [iPass+ HD Cage and Receptacle with Light Pipes 1x2, 0.76µm, Lead-Free](#)

Documents:

3D Model	Packaging Specification PK-76866-002-001 (PDF)
3D Model (PDF)	Test Summary TS-76866-001-001 (PDF)
Drawing (PDF)	Test Summary TS-76866-1004-001 (PDF)
Product Specification PS-76866-001-001 (PDF)	RoHS Certificate of Compliance (PDF)

Agency Certification

CSA	LR19980
UL	E107635

General

Product Family	I/O Connectors
Series	76866
Application	Wire-to-Board
Component Type	External Integrated Cage, Receptacle
Electrical Model	Yes
Overview	iPass+ HD Interconnect System
Product Name	iPass+
Type	N/A
UPC	887191049274

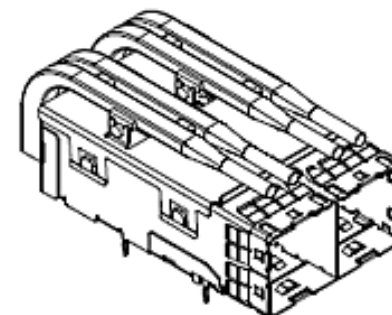
Physical

Circuits (Loaded)	72
Circuits (maximum)	72
Color - Resin	Black
Durability (mating cycles max)	250
Flammability	94V-0
Lock to Mating Part	Yes
Material - Metal	High Performance Alloy (HPA)
Material - Plating Mating	Gold
Material - Plating Termination	Tin
Material - Resin	High Temperature Thermoplastic
Net Weight	19.611/g
Orientation	Right Angle
PCB Locator	Yes
PCB Retention	Yes
PCB Thickness - Recommended	1.57mm
Packaging Type	Tray
Panel Mount	No
Pitch - Mating Interface	0.75mm
Pitch - Termination Interface	0.75mm
Plating min - Mating	0.762µm
Plating min - Termination	0.762µm
Polarized to Mating Part	Yes
Polarized to PCB	Yes
Temperature Range - Operating	-40° to +80°C
Termination Interface: Style	Through Hole - Compliant Pin

Electrical

Current - Maximum per Contact	0.75A
Voltage - Maximum	30V AC (RMS)/DC

Solder Process Data



Series image - Reference only

EU ELV

Not Relevant

EU RoHS

Compliant

REACH SVHC

Not Contained Per -
D(2021)4569-DC (8
July 2021)

Halogen-Free

Status

Low-Halogen

For more information, please visit [Contact US](#)

China ROHS

ELV

RoHS Phthalates

Green Image

Not Relevant

Not Contained

Search Parts in this Series

[76866 Series](#)

Mates With

iPass Cable Assembly [111068](#) , [111075](#) ,
[111077](#)

Lead-freeProcess Capability

N/A

Material Info

Reference - Drawing Numbers

Electrical Model Document

EE-76866-1004-001

Packaging Specification

PK-76866-002-001

Product Specification

PS-76866-001-001

S-Parameter Model

SP-76866-001-001, SP-76866-100-001,

SP-76866-1004-001

Sales Drawing

SD-76866-1001-001

Test Summary

TS-76866-001-001, TS-76866-1004-001

This document was generated on 12/22/2021

PLEASE CHECK WWW.MOLEX.COM FOR LATEST PART INFORMATION

X-ON Electronics

Largest Supplier of Electrical and Electronic Components

Click to view similar products for [I/O Connectors](#) category:

Click to view products by [Molex](#) manufacturer:

Other Similar products are found below :

[571763P](#) [58098-0628](#) [72.250.1628.2](#) [72.250.2428.2](#) [74720-0505](#) [76.350.0729.0](#) [76871-1403](#) [FCN-244F080-G/1](#) [FCN-260A9920](#) [PCR-E36PM](#) [PCS-XE26MA+](#) [G38A71314B](#) [1571250010](#) [157-22500-3](#) [MS3471L14-19P L/C](#) [192991-0703](#) [172501-4002](#) [172501-6002](#) [FCN-260C008-A/L0](#) [FCN-260C024-AL0](#) [FCN-261Z008](#) [2000314-1](#) [200331-1](#) [PCR-E36FC+](#) [PCS-E28FS+](#) [PCS-XE26SLFD+](#) [PCS-XE26SLFDT+](#) [G730VID08BDC24](#) [U90B2054081210](#) [UE86K842720321](#) [38113800006](#) [DP3AR020WQ1R200](#) [Z4.102.0680.0](#) [500-1040](#) [500-1052](#) [500-1054](#) [ZP-4008-66L](#) [0709821002](#) [DX40-20P\(55\)](#) [5554841-1](#) [MS3474W18-8P-LC*](#) [U90B3054061110](#) [U65-E04-4020](#) [ZPF00000000097891](#) [747360449](#) [10099439-003C-TRLF](#) [10137239-0021LF](#) [E9320-001-01](#) [10137239-0011LF](#) [70289-001LF](#)