

PLEASE CHECK WWW.MOLEX.COM FOR LATEST PART INFORMATION

Part Number: [0768671011](#)
Status: **Active**
Overview: [iPass+ HD Interconnect System](#)
Description: [iPass+ HD Internal Cable and Connector Assembly, 1x1, 0.76µm, Lead-Free](#)

Documents:

3D Model	Packaging Specification PK-76867-001-001 (PDF)
Drawing (PDF)	Test Summary TS-76866-1004-001 (PDF)
3D Model (PDF)	Test Summary TS-76867-001-001 (PDF)
Product Specification PS-76867-001-001 (PDF)	Symbol Footprint Data SYM-76867-1011REV7-001 (PDF)
Application Specification AS-76867-001-001 (PDF)	RoHS Certificate of Compliance (PDF)
Application Specification AS-76867-002-001 (PDF)	

Agency Certification

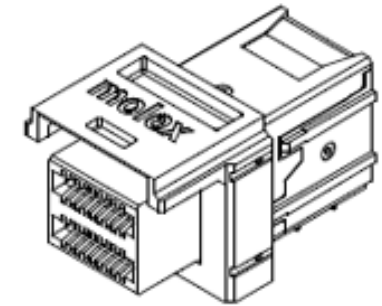
CSA	LR19980
UL	E107635

General

Product Family	I/O Connectors
Series	76867
Application	Wire-to-Board
Component Type	Internal Receptacle
Electrical Model	Yes
Overview	iPass+ HD Interconnect System
Product Name	iPass+
Type	N/A
UPC	887191049212

Physical

Circuits (Loaded)	36
Circuits (maximum)	36
Color - Resin	Black
Durability (mating cycles max)	250
Flammability	94V-0
Lock to Mating Part	Yes
Material - Metal	High Performance Alloy (HPA)
Material - Plating Mating	Gold
Material - Plating Termination	Tin
Material - Resin	High Temperature Thermoplastic
Net Weight	4.236/g
Number of Rows	1
Orientation	Right Angle
PCB Locator	Yes
PCB Retention	Yes
PCB Thickness - Recommended	1.37mm
Packaging Type	Tray
Panel Mount	No
Pitch - Mating Interface	0.75mm
Pitch - Termination Interface	0.75mm
Plating min - Mating	0.762µm, 1.524µm
Polarized to Mating Part	Yes
Polarized to PCB	Yes
Ports	1
Temperature Range - Operating	-40° to +80°C
Termination Interface: Style	Through Hole - Compliant Pin



Series image - Reference only

EU ELV

Not Relevant

EU RoHS

Compliant

REACH SVHC

Not Contained Per -
D(2021)4569-DC (8
July 2021)

Halogen-Free

Status

Low-Halogen

For more information, please visit [Contact US](#)

China ROHS

ELV

RoHS Phthalates

China RoHS

Green Image

Not Relevant

Not Contained

Search Parts in this Series

[76867 Series](#)

Mates With

[100189](#) , [100171](#) , [100190](#) , [100219](#) ,
[100172](#) , [100220](#) , [100221](#) , [100222](#) ,
[100223](#) , [100224](#) , [100225](#) , [100226](#)

Electrical

Current - Maximum per Contact 1.0A
Voltage - Maximum 30V AC (RMS)/DC

Solder Process Data

Lead-freeProcess Capability N/A

Material Info**Reference - Drawing Numbers**

Application Specification AS-76867-001-001, AS-76867-002-001
Electrical Model Document EE-76866-1004-001
Packaging Specification PK-76867-001-001
Product Specification PS-76867-001-001
S-Parameter Model SP-76866-001-001, SP-76866-100-001,
SP-76866-1004-001
Sales Drawing SD-76867-1000-001
Symbol/Footprint Data SYM-76867-1011_REV7-001
Test Summary TS-76866-1004-001, TS-76867-001-001

This document was generated on 09/27/2021

PLEASE CHECK WWW.MOLEX.COM FOR LATEST PART INFORMATION

X-ON Electronics

Largest Supplier of Electrical and Electronic Components

Click to view similar products for [High Speed/Modular Connectors](#) category:

Click to view products by [Molex](#) manufacturer:

Other Similar products are found below :

[650827-1](#) [74040-1346](#) [1410191-1](#) [1410337-1](#) [1410368-3](#) [1410964-2](#) [1410326-3](#) [1410367-3](#) [1410971-4](#) [1467833-1](#) [2000877-1](#) [2000878-1](#)
[2041314-1](#) [2065387-1](#) [2187307-1](#) [163P](#) [1934290-1](#) [2000875-1](#) [2065917-1](#) [2102736-2](#) [FSR-40](#) [2169868-2](#) [22354-8](#) [437-5040-000](#) [5-](#)
[1393565-0](#) [039-0246-000](#) [0761601016](#) [0784461022](#) [10123159-12ELF](#) [030-2415-003/100 PK](#) [030-7380-004](#) [030-2494-001](#) [532939-1](#)
[5532901-3](#) [3-1469268-7](#) [74748-102LF](#) [73670-0247](#) [10041743-101LF](#) [10066670-100002LF](#) [1-533915-1](#) [249-4515-000](#) [7-1469373-3](#) [DL2-](#)
[2J/S](#) [2000713-8](#) [2000713-7](#) [10124313-101LF](#) [3011-21](#) [757105208](#) [EBTF-4-10-2.0-S-RA-1](#) [430305-001](#)