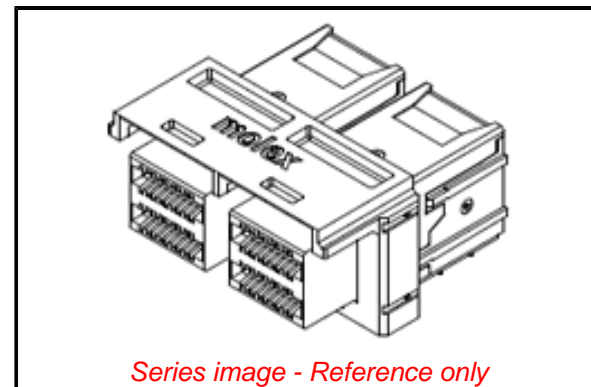


**PLEASE CHECK WWW.MOLEX.COM FOR LATEST PART INFORMATION**

**Part Number:** [0768671012](#)  
**Status:** **Active**  
**Overview:** [iPass+ HD Interconnect System](#)  
**Description:** [iPass+ HD Internal Cable and Connector Assembly, 1x2 , 0.76µm, Lead-Free](#)

**Documents:**

<a href="#">3D Model</a>	<a href="#">Application Specification AS-76867-002-001 (PDF)</a>
<a href="#">Drawing (PDF)</a>	<a href="#">Packaging Specification PK-76867-001-001 (PDF)</a>
<a href="#">3D Model (PDF)</a>	<a href="#">Test Summary TS-76866-1004-001 (PDF)</a>
<a href="#">Product Specification PS-76867-001-001 (PDF)</a>	<a href="#">Test Summary TS-76867-001-001 (PDF)</a>
<a href="#">Application Specification AS-76867-001-001 (PDF)</a>	<a href="#">RoHS Certificate of Compliance (PDF)</a>



**Agency Certification**

CSA	LR19980
UL	E107635

**General**

Product Family	I/O Connectors
Series	<a href="#">76867</a>
Application	Wire-to-Board
Component Type	Internal Receptacle
Electrical Model	Yes
Overview	<a href="#">iPass+ HD Interconnect System</a>
Product Name	iPass+
Type	N/A
UPC	887191049229

**Physical**

Circuits (Loaded)	72
Circuits (maximum)	72
Color - Resin	Black
Durability (mating cycles max)	250
Flammability	94V-0
Lock to Mating Part	Yes
Material - Metal	High Performance Alloy (HPA)
Material - Plating Mating	Gold
Material - Plating Termination	Tin
Material - Resin	High Temperature Thermoplastic
Net Weight	8.145/g
Number of Rows	1
Orientation	Right Angle
PCB Locator	Yes
PCB Retention	Yes
PCB Thickness - Recommended	1.37mm
Packaging Type	Tray
Panel Mount	No
Pitch - Mating Interface	0.75mm
Pitch - Termination Interface	0.75mm
Plating min - Mating	0.762µm, 1.524µm
Polarized to Mating Part	Yes
Polarized to PCB	Yes
Ports	2
Temperature Range - Operating	-40° to +80°C
Termination Interface: Style	Through Hole - Compliant Pin

**Electrical**

Current - Maximum per Contact	1.0A
-------------------------------	------

**EU ELV**

**Not Relevant**

**EU RoHS**

**Compliant**

**REACH SVHC**

Not Contained Per -  
D(2021)4569-DC (8  
July 2021)

**Halogen-Free**

**Status**

**Low-Halogen**

For more information, please visit [Contact US](#)

China ROHS

ELV

RoHS Phthalates

**China RoHS**

Green Image

Not Relevant

Not Contained

**Search Parts in this Series**

[76867 Series](#)

**Mates With**

[100189](#) , [100171](#) , [100190](#) , [100219](#) ,  
[100172](#) , [100220](#) , [100221](#) , [100222](#) ,  
[100223](#) , [100224](#) , [100225](#) , [100226](#)

Voltage - Maximum	30V AC (RMS)/DC
<b>Solder Process Data</b>	
Lead-free Process Capability	N/A
<b>Material Info</b>	
<b>Reference - Drawing Numbers</b>	
Application Specification	AS-76867-001-001, AS-76867-002-001
Electrical Model Document	EE-76866-1004-001
Packaging Specification	PK-76867-001-001
Product Specification	PS-76867-001-001
S-Parameter Model	SP-76866-001-001, SP-76866-100-001, SP-76866-1004-001
Sales Drawing	SD-76867-1000-001
Test Summary	TS-76866-1004-001, TS-76867-001-001

This document was generated on 09/27/2021

**PLEASE CHECK [WWW.MOLEX.COM](http://WWW.MOLEX.COM) FOR LATEST PART INFORMATION**

## X-ON Electronics

Largest Supplier of Electrical and Electronic Components

*Click to view similar products for [High Speed/Modular Connectors](#) category:*

*Click to view products by [Molex](#) manufacturer:*

Other Similar products are found below :

[650827-1](#) [74040-1346](#) [1410191-1](#) [1410337-1](#) [1410368-3](#) [1410964-2](#) [1410326-3](#) [1410367-3](#) [1410971-4](#) [1467833-1](#) [2000877-1](#) [2000878-1](#)  
[2041314-1](#) [2065387-1](#) [2187307-1](#) [163P](#) [1934290-1](#) [2000875-1](#) [2065917-1](#) [2102736-2](#) [FSR-40](#) [2169868-2](#) [22354-8](#) [437-5040-000](#) [5-](#)  
[1393565-0](#) [039-0246-000](#) [0761601016](#) [0784461022](#) [10123159-12ELF](#) [030-2415-003/100 PK](#) [030-7380-004](#) [030-2494-001](#) [532939-1](#)  
[5532901-3](#) [3-1469268-7](#) [74748-102LF](#) [73670-0247](#) [10041743-101LF](#) [10066670-100002LF](#) [1-533915-1](#) [249-4515-000](#) [7-1469373-3](#) [DL2-](#)  
[2J/S](#) [2000713-8](#) [2000713-7](#) [10124313-101LF](#) [3011-21](#) [757105208](#) [EBTF-4-10-2.0-S-RA-1](#) [430305-001](#)