

NOTES:

1. MATERIAL:

- CAGE AND SOLDER STRAP: NICKEL SILVER
- GASKET FLANGE: STAINLESS STEEL
- EMI SPRINGS: COPPER ALLOY
- LIGHT PIPES: POLYCARBONATE 94V-0(OPTIONAL)
- GASKET - CORE MATERIAL 94V-0
- CONNECTOR HOUSING: GLASS FILLED THERMOPLASTIC, UL: 94V-0, COLOR: BLACK
- TERMINALS: HIGH PERFORMANCE COPPER ALLOY

2. FINISH:

- CAGE, GASKET FLANGE, AND SOLDER STRAP: UNPLATED
- EMI SPRINGS: 2.5µm NICKEL OVERALL
- TERMINALS: CONTACT AREA: 0.76 µm MIN. HARD GOLD OVER 3.8 µm MIN. NICKEL.
- COMPLIANT TAIL: 0.7 - 1.5 µm MATTE TIN OVER 0.7 - 1.5 µm NICKEL

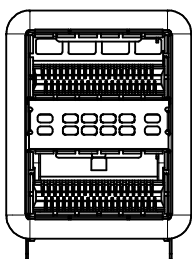
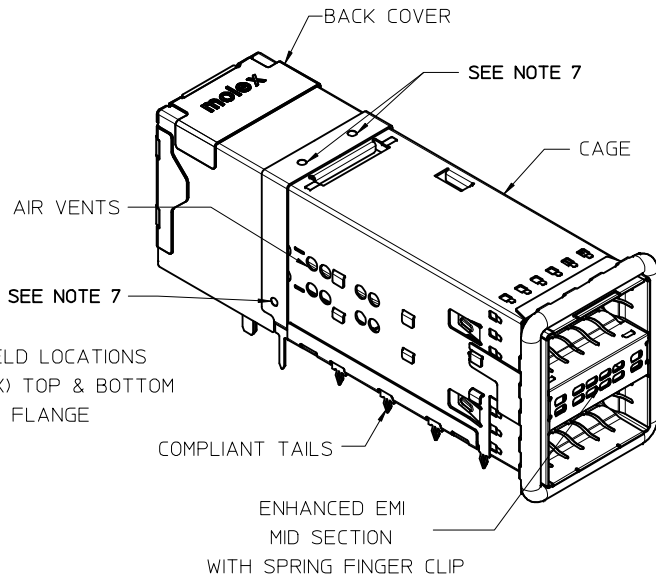
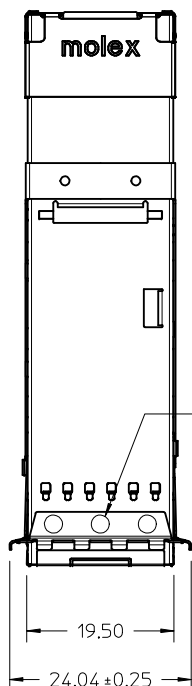
3. PACKAGING: PRODUCT PACKAGED IN TRAYS AND CARTONS

4. TOP AND SIDE SURFACES TO BE CLASS "B" OR BETTER. ALL REMAINING SURFACES TO BE CLASS "C" OR BETTER WITH THE EXCEPTION OF THE FRONT OF THE MIDSECTION EMI SPRING WHICH IS TO BE A CLASS "A" SURFACE AS DESCRIBED IN THE MOLEX ES-46030-006 COSMETIC SPEC.

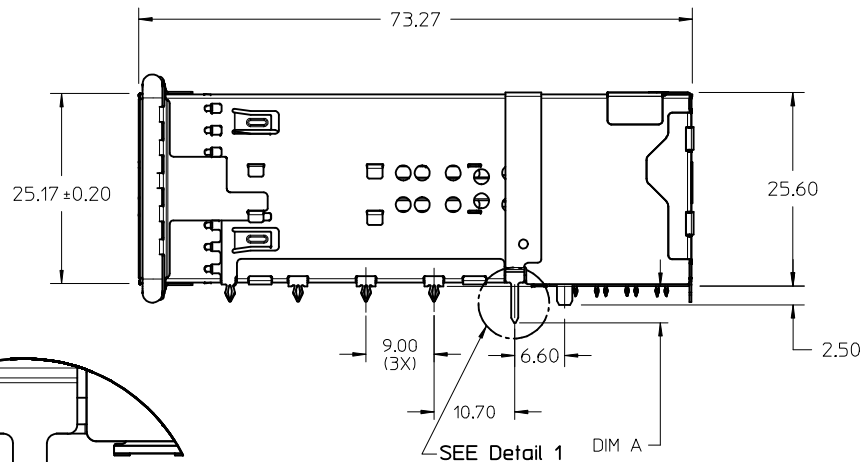
5. CONNECTOR MATES WITH PLUG CABLE SERIES 74757 AND 74758

6. DATE CODE LOCATION SHOWN, DATE CODE FORMAT:DDD DDY= DAY OF THE YEAR Y= YEAR

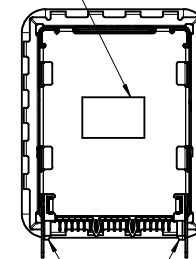
7. SOLDER STRAP TO BE LASER WELDED IN APPROXIMATE LOCATIONS SHOWN.



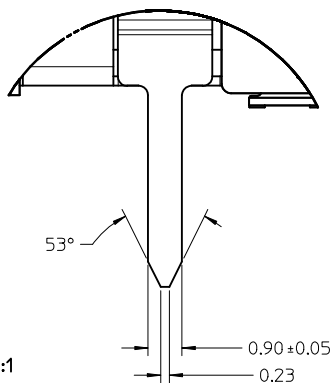
76871-1108 SHOWN W/O GASKET, SEE SHEET 2 FOR OTHER OPTIONS



DATE CODE LOCATION SEE NOTE 6



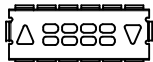
LOCATING PEGS



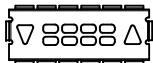
Detail 1 Scale 10:1

UPDATED COSMETIC SPEC NUMBER EC NO: UCP2014-1269 DRWN:HAVERY 2013/08/02 CHKD: APPR:MBANAKIS 2013/10/08	QUALITY SYMBOLS ∇=0 ∇=0 ∇=0	GENERAL TOLERANCES (UNLESS SPECIFIED)		DIMENSION STYLE MM ONLY	SCALE 2:1	DESIGN UNITS METRIC	THIRD ANGLE PROJECTION	
		4 PLACES ± --- ± --- 3 PLACES ± --- ± --- 2 PLACES ± 0.13 ± --- 1 PLACE ± 0.25 ± --- ANGULAR ± 1/2°	mm INCH	DRAWN BY DATE HAVERY 2013/01/31	CHECKED BY DATE	TITLE QSFP 2X1 ASSEMBLY WITH SOLDER STRAP	MOLEX INCORPORATED	
REV 2	DESCRIPTION	DRAFT WHERE APPLICABLE MUST REMAIN WITHIN DIMENSIONS		APPROVED BY DATE MBANAKIS 2013/10/08	MATERIAL NO.	DOCUMENT NO. SD-76871-1150	SHEET NO. 1 OF 3	
				SEE SHEET 2	THIS DRAWING CONTAINS INFORMATION THAT IS PROPRIETARY TO MOLEX INCORPORATED AND SHOULD NOT BE USED WITHOUT WRITTEN PERMISSION			

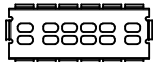
PART NUMBER	DESCRIPTION	DIM A
76871-1151	LIGHT PIPE UP	4.83
76871-1152	LIGHT PIPE DOWN	4.83
76871-1153	NO LIGHT PIPE	4.83
76871-1154	LIGHT PIPE UP	3.93
76871-1155	LIGHT PIPE DOWN	3.93
76871-1156	NO LIGHT PIPE	3.93
76871-1157	LIGHT PIPE UP	2.90
76871-1158	LIGHT PIPE DOWN	2.90
76871-1159	NO LIGHT PIPE	2.90



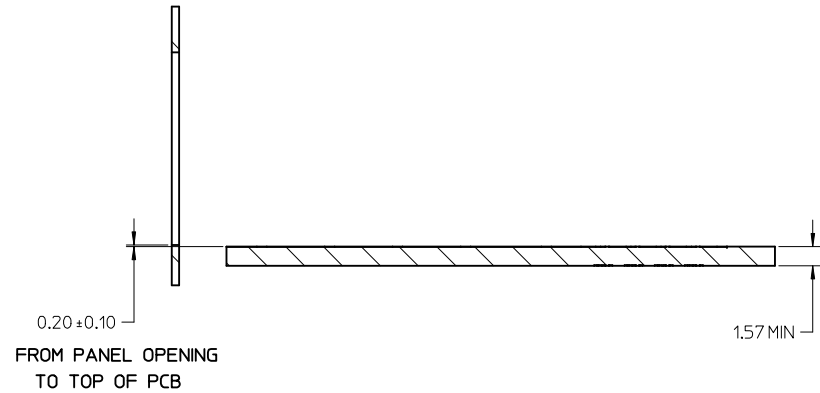
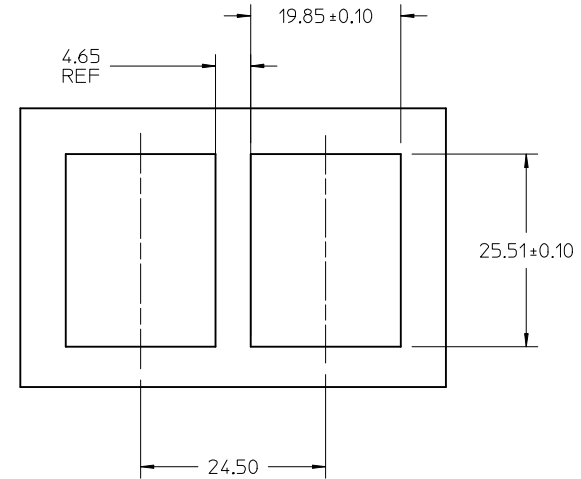
76871-1151
76871-1154
76871-1157



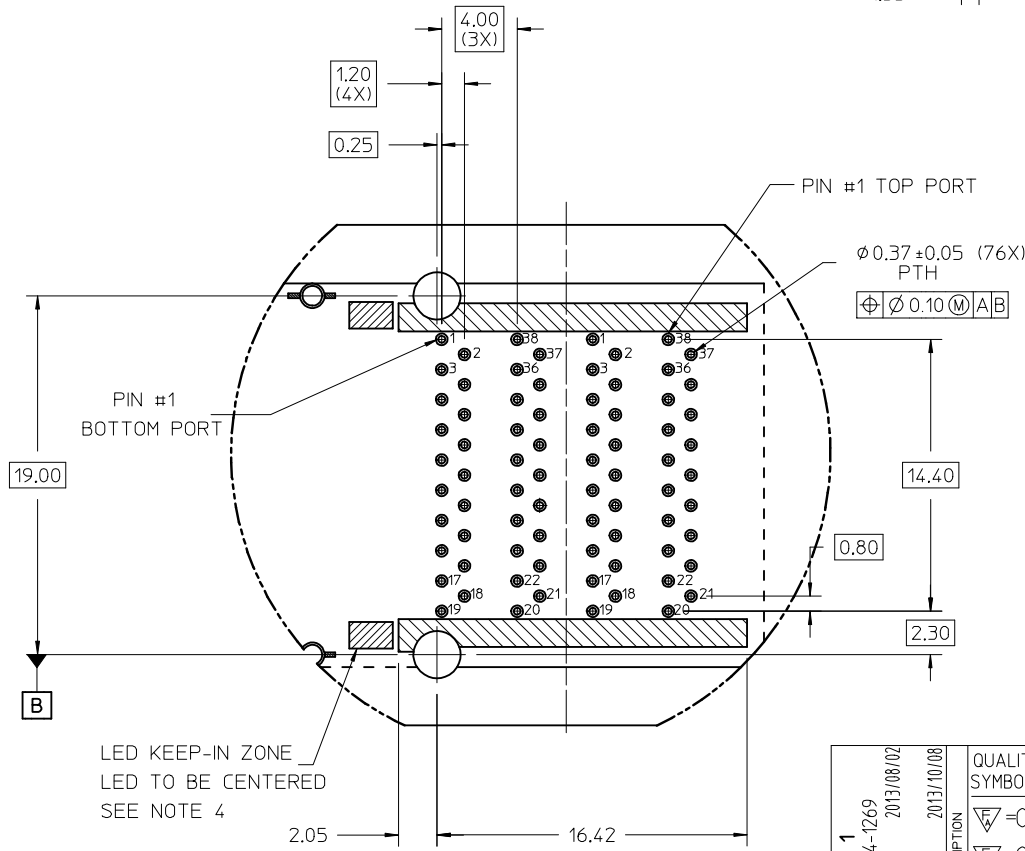
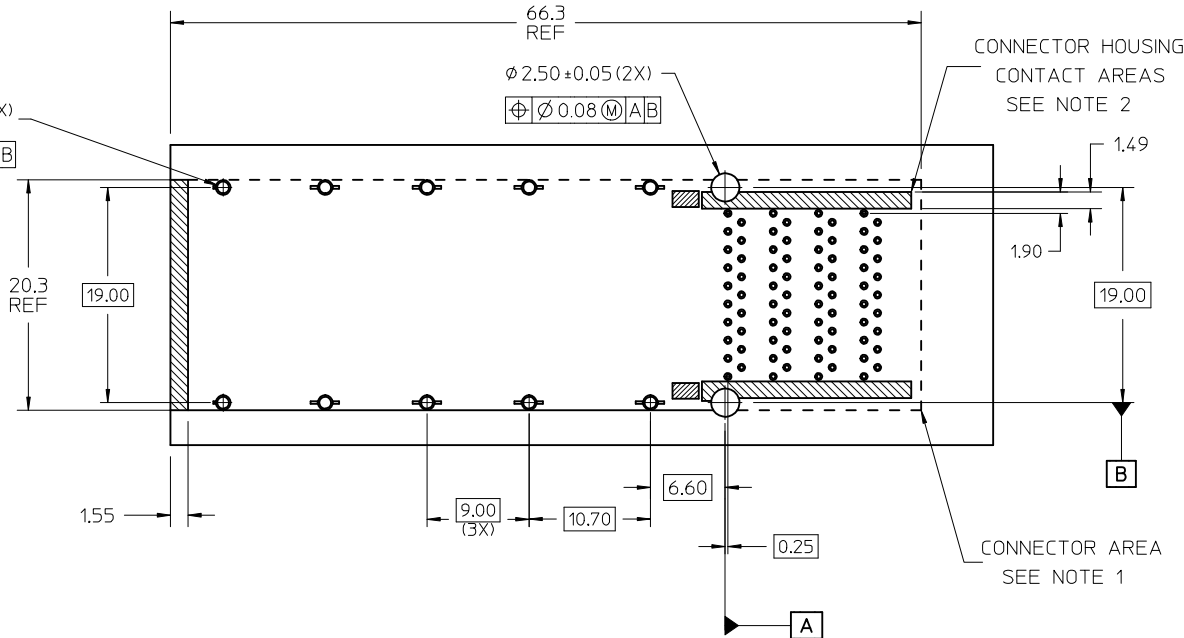
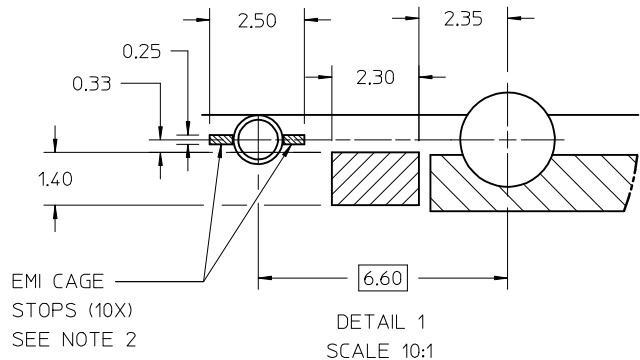
76871-1152
76871-1155
76871-1158



76871-1153
76871-1156
76871-1159



SEE SHEET 1 EC NO: UCP2014-1269 DRW: HAVERY 2013/08/02 CHKD: APPR: MBANAKIS 2013/10/08	QUALITY SYMBOLS ▽=0 ▽=0 ▽=0	GENERAL TOLERANCES (UNLESS SPECIFIED)		DIMENSION STYLE MM ONLY	SCALE 2:1	DESIGN UNITS METRIC	THIRD ANGLE PROJECTION
		4 PLACES ± --- ± ---	3 PLACES ± --- ± ---	2 PLACES ± 0.13 ± ---	1 PLACE ± 0.25 ± ---	DRAWN BY HAVERY	DATE 2013/01/31
2	DESCRIPTION	ANGULAR ±1/2°		DRAFT WHERE APPLICABLE MUST REMAIN WITHIN DIMENSIONS	CHECKED BY	DATE	APPROVED BY MBANAKIS
				SEE OPTIONS	DATE 2013/10/08	MATERIAL NO.	
				SIZE	THIS DRAWING CONTAINS INFORMATION THAT IS PROPRIETARY TO MOLEX INCORPORATED AND SHOULD NOT BE USED WITHOUT WRITTEN PERMISSION		DOCUMENT NO. SD-76871-1150
						SHEET NO. 2 OF 3	



- NOTES:
1. THE ENTIRE AREA UNDER THE CONNECTOR (DASHED LINES) IS TO BE CONSIDERED A KEEP-OUT AREA FOR COMPONENTS.
 2. HATCHED AREAS REPRESENT ZONES ON THE PCB THAT COME IN CONTACT WITH OR BE IN CLOSE PROXIMITY TO THE PLASTIC HOUSING OR THE CONNECTOR CAGE. INDICATED AREAS TO BE CONSIDERED TRACE FREE.
 3. PIN NUMBERS ARE PER THE STANDARD. BOTH PORTS ARE IN THE SAME (UP-UP)MODULE ORIENTATION.
 4. LED KEEP-IN ZONE DEFINES THE PHYSICAL SPACE ALLOWED FOR PLACEMENT OF SMD CHIP STYLE LED PACKAGES INCLUDING SMD MOUNTING PADS. KEEP-IN ZONE EXTENDS VERTICALLY TO 0.8mm ABOVE THE TOP SIDE OF BOARD.
 5. SEE APPLICATION SPEC AS-76870-001 FOR RECOMMENDED DRILL HOLE SIZE.

SEE SHEET 1 EC NO: UCP2014-1269 DRAWN BY: HAVERY 2013/08/02 CHKD: MBANAKIS 2013/10/08 APPR: MBANAKIS 2013/10/08	QUALITY SYMBOLS $\nabla = 0$ $\nabla = 0$ $\nabla = 0$	GENERAL TOLERANCES (UNLESS SPECIFIED) <table border="1"> <tr> <th></th> <th>mm</th> <th>INCH</th> </tr> <tr> <td>4 PLACES</td> <td>± 0.13</td> <td>± 0.005</td> </tr> <tr> <td>3 PLACES</td> <td>± 0.25</td> <td>± 0.010</td> </tr> <tr> <td>2 PLACES</td> <td>± 0.50</td> <td>± 0.020</td> </tr> <tr> <td>1 PLACE</td> <td>± 1.00</td> <td>± 0.040</td> </tr> </table>		mm	INCH	4 PLACES	± 0.13	± 0.005	3 PLACES	± 0.25	± 0.010	2 PLACES	± 0.50	± 0.020	1 PLACE	± 1.00	± 0.040	DIMENSION STYLE MM ONLY DRAWN BY: HAVERY DATE: 2013/01/31 CHECKED BY: DATE:	SCALE: 3:1 DESIGN UNITS: METRIC THIRD ANGLE PROJECTION	TITLE: QSFP 2X1 ASSEMBLY WITH SOLDER STRAP
		mm	INCH																	
4 PLACES	± 0.13	± 0.005																		
3 PLACES	± 0.25	± 0.010																		
2 PLACES	± 0.50	± 0.020																		
1 PLACE	± 1.00	± 0.040																		
SEE SHEET 2 DRAFT WHERE APPLICABLE MUST REMAIN WITHIN DIMENSIONS	APPROVED BY: MBANAKIS DATE: 2013/10/08 MATERIAL NO.: DOCUMENT NO.:	MOLEX INCORPORATED SD-76871-1150	SHEET NO.: 3 OF 3	THIS DRAWING CONTAINS INFORMATION THAT IS PROPRIETARY TO MOLEX INCORPORATED AND SHOULD NOT BE USED WITHOUT WRITTEN PERMISSION																

X-ON Electronics

Largest Supplier of Electrical and Electronic Components

Click to view similar products for [molex](#) manufacturer:

Other Similar products are found below :

[60506-C-50](#) [73108](#) [72903](#) [1062837003](#) [0533241060](#) [68301-1017](#) [71506-C](#) [880504](#) [387790039](#) [53254-0710](#) [85071-0017](#) [387204903](#)
[783472003](#) [514412093](#) [0436500518](#) [0194180027](#) [0192210405](#) [0191640082](#) [0982660127](#) [0152670317](#) [0192210414](#) [0982670277](#)
[0026482195](#) [0191310031](#) [503308-4410](#) [0190070015](#) [02-09-6102](#) [0008650814](#) [791099208](#) [0039000218](#) [89762-1403](#) [89762-1542](#) [89762-](#)
[1582](#) [0011404526](#) [00136](#) [0022173102](#) [0026615060](#) [CR4006A30M003](#) [0039532085](#) [58098-0628](#) [0003092041](#) [0008520123](#) [0011030025](#)
[0011184017](#) [0022162060](#) [0022552102](#) [01312](#) [M15730061](#) [61432](#) [6150300002](#)