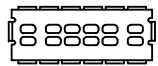
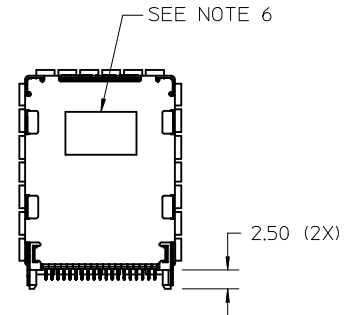
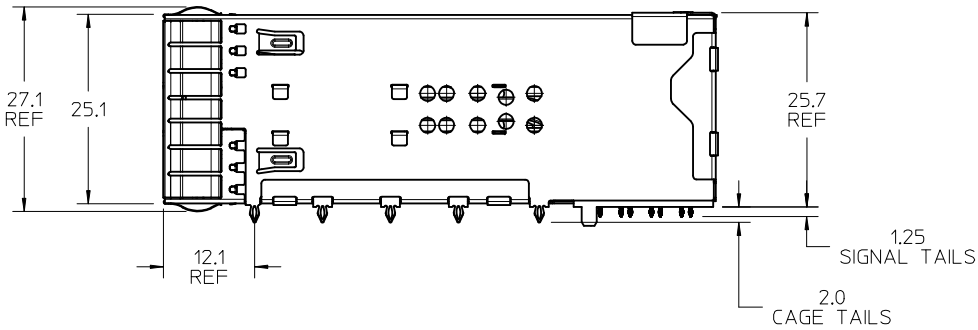
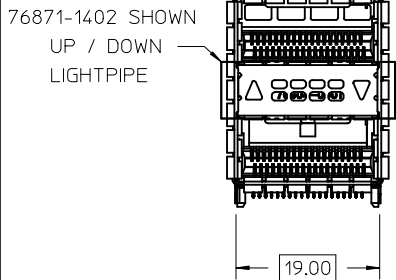
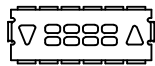


NOTES

- MATERIALS
 - CAGE: NICKLE SILVER, 0.25 THICK
 - SPRING FINGERS: PHOS. BRONZE, 0.10 THICK
 - CONNECTOR HOUSING: HIGH PERFORMANCE THERMOPLASTIC, 94V-0
 - TERMINALS: HIGH PERFORMANCE COPPER ALLOY, 0.18 THICK
- FINISH
 - SPRING FINGERS: 100µm NICKEL OVERALL
 - TERMINALS: CONTACT AREA: 0.76µm MIN GOLD OVER 2.54µm MIN NICKEL
 - COMPLIANT AREA: 0.76-1.52µm MATTE TIN OVER 1.27µm MIN NICKEL
- ALL SURFACES TO BE CLASS "C" OR BETTER PER MOLEX COSMETIC SPECIFICATION PS-45499-002
- REFER TO PK-76871-9001 FOR PACKAGING INFORMATION
- CONNECTOR INTENDED TO MATE WITH CABLE PLUG SERIES 74757 AND 74758
- DATE CODE LOCATION SHOWN. DATE CODE FORMAT: DDD Y
 DDD = DAY OF THE YEAR, Y = YEAR



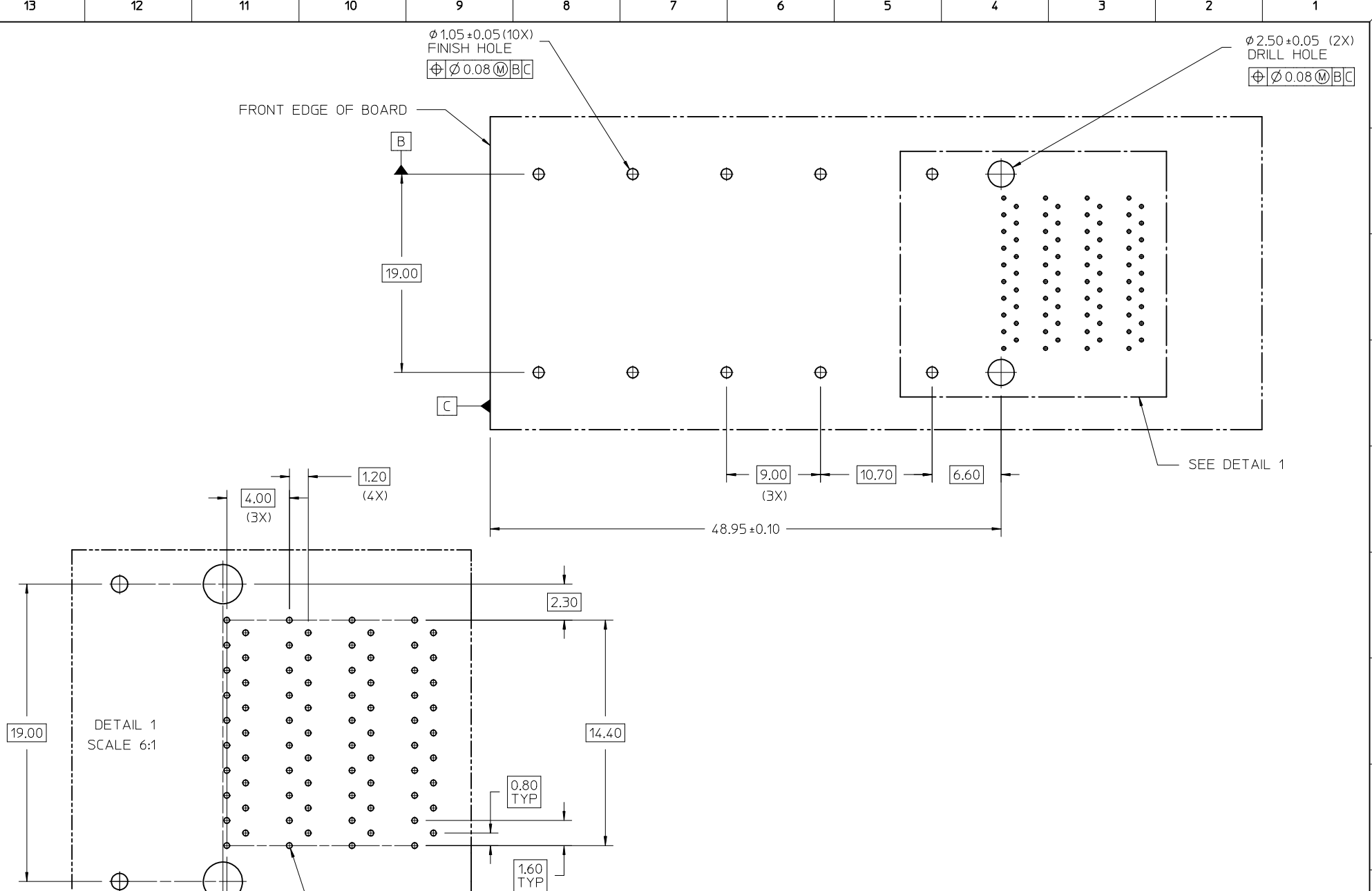
76871-1401
AIRFLOW ONLY
NO LIGHTPIPE



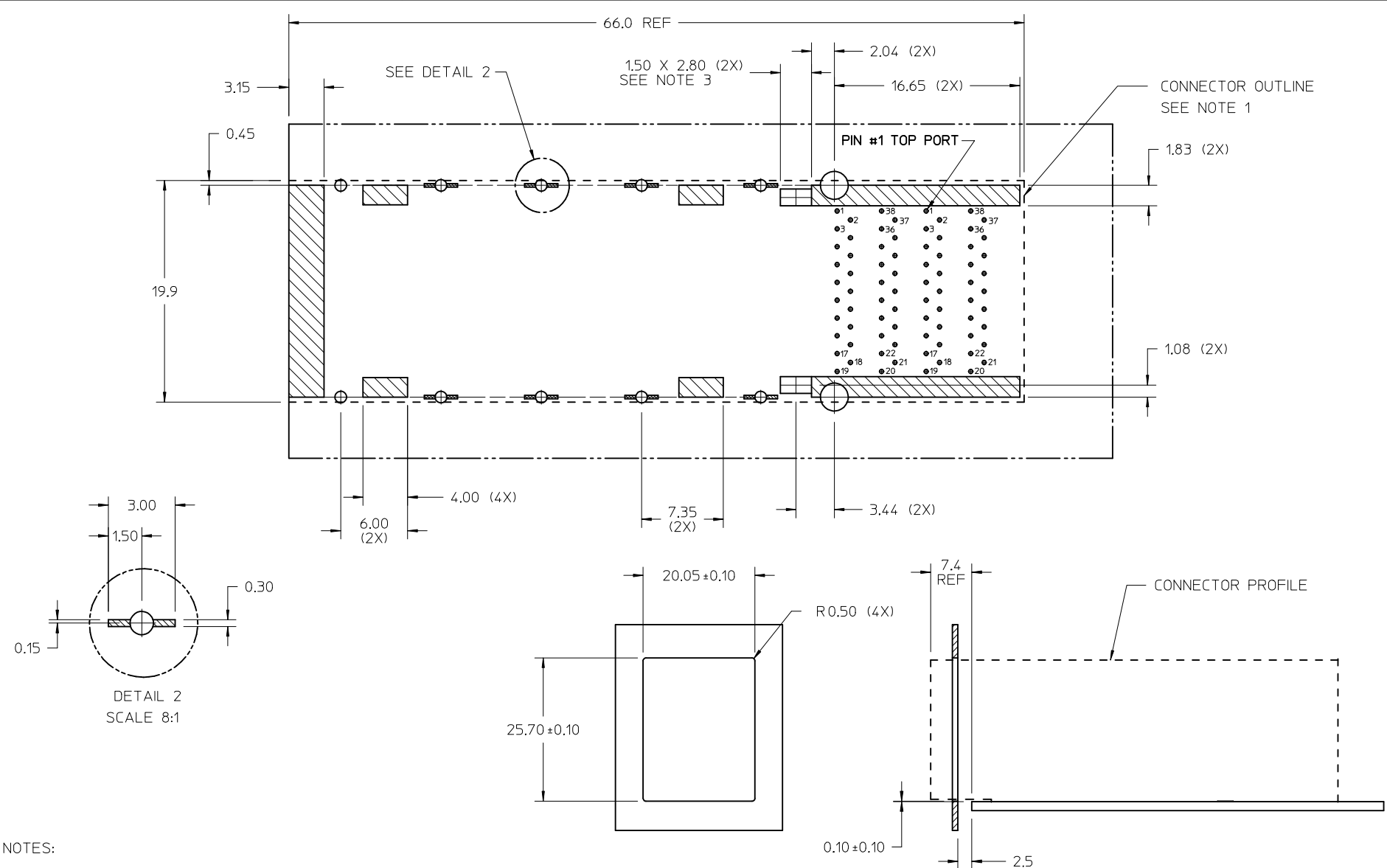
76871-1403
DOWN / UP
LIGHTPIPE

PART NUMBER	AIRFLOW / LIGHTPIPE OPTION
768711401	AIRFLOW ONLY, NO LIGHTPIPE
768711402	UP / DOWN LIGHTPIPE INDICATOR
768711403	DOWN / UP LIGHTPIPE INDICATOR

ADDED PIN ASSIGNMENT LABELS EC NO: UCP2014-1018 DRAWN/HAVERY 2013/09/03 CHKD: APPR:MBANAKIS 2013/09/04	QUALITY SYMBOLS	GENERAL TOLERANCES (UNLESS SPECIFIED)	DIMENSION STYLE	SCALE	DESIGN UNITS	THIRD ANGLE PROJECTION
	▽=0	mm INCH	MM ONLY	2:1	METRIC	
	▽=0	4 PLACES ± --- ± ---	DRAWN BY DATE	TITLE		
	▽=0	3 PLACES ± --- ± ---	JKACHLIC 2012/08/09	QSFP+ 2X1 W/EMI SPRINGS		
	2 PLACES ±0.13 ± ---	CHECKED BY DATE	APPROVED BY DATE			
	1 PLACE ±0.25 ± ---		MBANAKIS 2012/08/22			
	0 PLACE ± --- ± ---		MATERIAL NO. DOCUMENT NO.			
	ANGULAR ±1/2°		SEE CHART SD-76871-1400			
	DRAFT WHERE APPLICABLE MUST REMAIN WITHIN DIMENSIONS		SHEET NO. 1 OF 3			
			THIS DRAWING CONTAINS INFORMATION THAT IS PROPRIETARY TO MOLEX INCORPORATED AND SHOULD NOT BE USED WITHOUT WRITTEN PERMISSION			



SEE SHEET 1 EC NO: UCP2014-1018 DRW: HAVERY 2013/09/03 CHKD: APPR: MBANAKIS 2013/09/04	QUALITY SYMBOLS ▽=0 ▽=0 ▽=0	GENERAL TOLERANCES (UNLESS SPECIFIED)		DIMENSION STYLE MM ONLY	SCALE 4:1	DESIGN UNITS METRIC	THIRD ANGLE PROJECTION
		4 PLACES ± --- ± ---	DRAWN BY JKACHLIC	DATE 2012/08/09	TITLE QSFP+ 2X1 W/EMI SPRINGS		
		3 PLACES ± --- ± ---	CHECKED BY	DATE	APPROVED BY MBANAKIS		DATE 2012/08/22
		2 PLACES ± 0.13 ± ---	MATERIAL NO.		DOCUMENT NO. SD-76871-1400		SHEET NO. 2 OF 3
1 PLACE ± 0.25 ± ---		DRAFT WHERE APPLICABLE MUST REMAIN WITHIN DIMENSIONS		SIZE SEE CHART	THIS DRAWING CONTAINS INFORMATION THAT IS PROPRIETARY TO MOLEX INCORPORATED AND SHOULD NOT BE USED WITHOUT WRITTEN PERMISSION		
0 PLACE ± --- ± ---		ANGULAR ±1/2°					



PANEL OPENING REQUIREMENTS

- NOTES:
1. THE ENTIRE AREA UNDER THE CONNECTOR IS A COMPONENT KEEP-OUT ZONE
 2. CROSS HATCHED AREAS INDICATE PLACES WHERE THE PLASTIC HOUSING AND METAL CAGE MAY BE IN CONTACT WITH THE PCB SURFACE. THESE AREAS ARE TRACE KEEP-OUT ZONES
 3. THESE 2 RECTANGULAR ZONES ARE FOR LED PLACEMENT. LED HEIGHT SHOULD NOT EXCEED 0.8 AND PLACEMENT SHOULD BE CENTERED WITHIN THIS LED KEEP-IN ZONE
 4. RECOMMENDED LED CHIP PACKAGE SIZE IS 0805

SEE SHEET 1 EC NO: UCP2014-1018 DRWN:HAVERY 2013/09/03 CHKD: MBANAKIS 2013/09/04 APPR:MBANAKIS	QUALITY SYMBOLS ∇=0 ∇=0 ∇=0	GENERAL TOLERANCES (UNLESS SPECIFIED)		DIMENSION STYLE MM ONLY		SCALE 2:1	DESIGN UNITS METRIC	THIRD ANGLE PROJECTION			
		4 PLACES ± --- ± ---	3 PLACES ± --- ± ---	2 PLACES ± 0.13 ± ---	1 PLACE ± 0.25 ± ---	0 PLACE ± --- ± ---	DRAWN BY JKACHLIC	DATE 2012/08/09	TITLE QSFP+ 2X1 W/EMI SPRINGS		
		ANGULAR ±1/2°					APPROVED BY MBANAKIS	DATE 2012/08/22	DOCUMENT NO. molex SD-76871-1400		
		DRAFT WHERE APPLICABLE MUST REMAIN WITHIN DIMENSIONS					MATERIAL NO. SEE CHART	SHEET NO. 3 OF 3			

THIS DRAWING CONTAINS INFORMATION THAT IS PROPRIETARY TO MOLEX INCORPORATED AND SHOULD NOT BE USED WITHOUT WRITTEN PERMISSION

X-ON Electronics

Largest Supplier of Electrical and Electronic Components

Click to view similar products for [I/O Connectors](#) category:

Click to view products by [Molex](#) manufacturer:

Other Similar products are found below :

[571763P](#) [58098-0628](#) [61-168618-12P](#) [D38999/20FJ29SB L/C](#) [72.250.1628.2](#) [72.250.2428.2](#) [74720-0505](#) [747680210](#) [76.350.0729.0](#) [76871-1403](#) [FCN-244F080-G/1](#) [FCN-260A9920](#) [FCN-268D024-G/2F#10X-R10](#) [MP-5T180MUNNA-005](#) [MP-5XRJ45UNNB-003](#) [PCS-E50FA](#) [PCS-XE26LKA](#) [PCS-XE26MA+](#) [PCS-XES68MS+](#) [G38A71314B](#) [91-569719-35R](#) [9776-18-6](#) [DX40-50P\(55\)](#) [1571250010](#) [157-22500-3](#) [MS3471L14-19P L/C](#) [171224-6031](#) [1888020-8](#) [91-569786-35H](#) [91-569786-35M](#) [91-644626-35P](#) [172501-4002](#) [172501-6002](#) [FCN-260C008-A/L0](#) [FCN-260C024-AL0](#) [FCN-261Z008](#) [FCN-268D008-G/1K](#) [2000314-1](#) [200331-1](#) [2007498-2](#) [PCR-E28LMDAG1+](#) [PCR-E36FC+](#) [PCS-E28FS+](#) [PCS-XE26SLFD+](#) [PCS-XE26SLFDT+](#) [G38A71214B](#) [HDRA-E68W1LFDTC-SL+](#) [HDR-E14MSG1+](#) [R88A-CNK81S](#) [CRT1-ATT02](#)