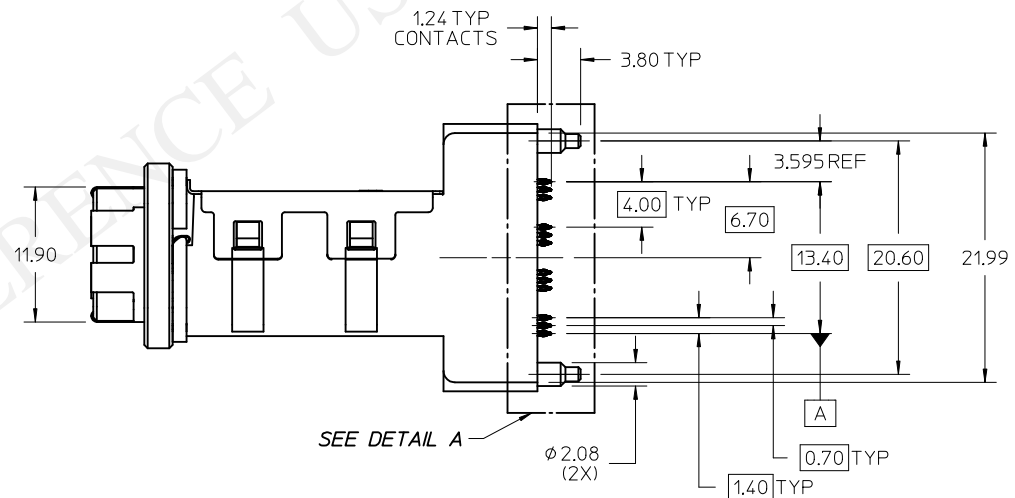
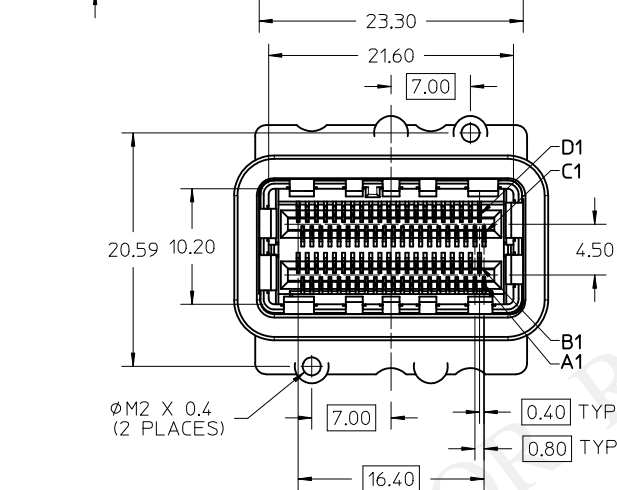
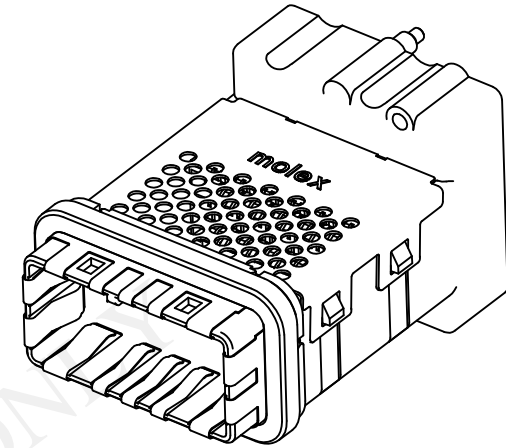


DETAIL A
SCALE 4:1



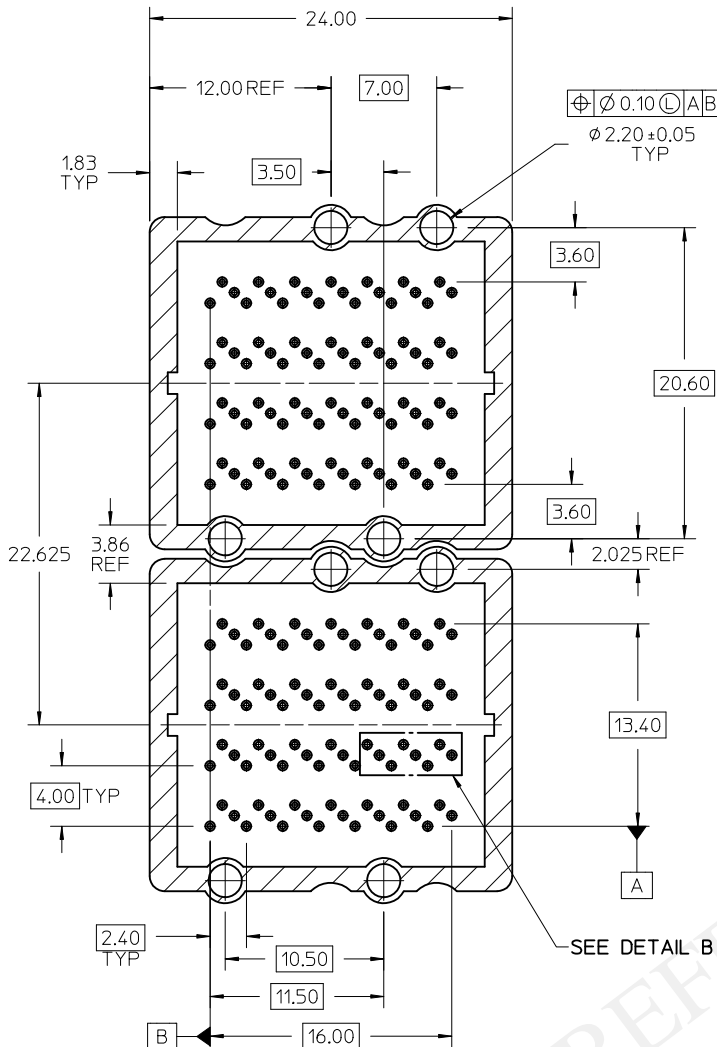
- NOTES:
- MATERIALS:**
CONNECTOR HOUSING: HIGH TEMPERATURE THERMOPLASTIC GLASS-FILLED, UL 94V-0
EMI HOUSING: NICKEL PLATED DIE CAST ALLOY
COVER: STAINLESS STEEL ALLOY
EMI GASKET: CONDUCTIVE POLYMER
TERMINALS: COPPER ALLOY
 - PLATING:**
769970022 - CONTACT AREA: 0.764mm MIN. GOLD OVER 2.544mm MIN. NICKEL
TIN TAIL AREA: 0.764mm - 1.521mm TIN OVER 2.544mm MIN NICKEL
 - THIS CONNECTOR IS DESIGNED TO MATE WITH MOLEX IPASS CABLES.
 - PACKAGING SPECIFICATION: TRAY PACK PER PK-76997-001.
 - MOUNTING HARDWARE REQUIRED: M2x0.4 CAP SCREWS (4), SEE SHEET 3
 - PRODUCT SPECIFICATION: PS-76997-001.
 - APPLICATION SPECIFICATION: AS-76997-001.

RELEASE TO "A"	QUALITY SYMBOLS
EC NO: UCP2013-3343	▽ ○
DRWING: GPRATT 2012/10/17	▽ ○
CHKD: MBANAKIS 2013/02/07	▽ ○
APPR: MBANAKIS 2013/02/13	▽ ○
REV	DESCRIPTION
A	

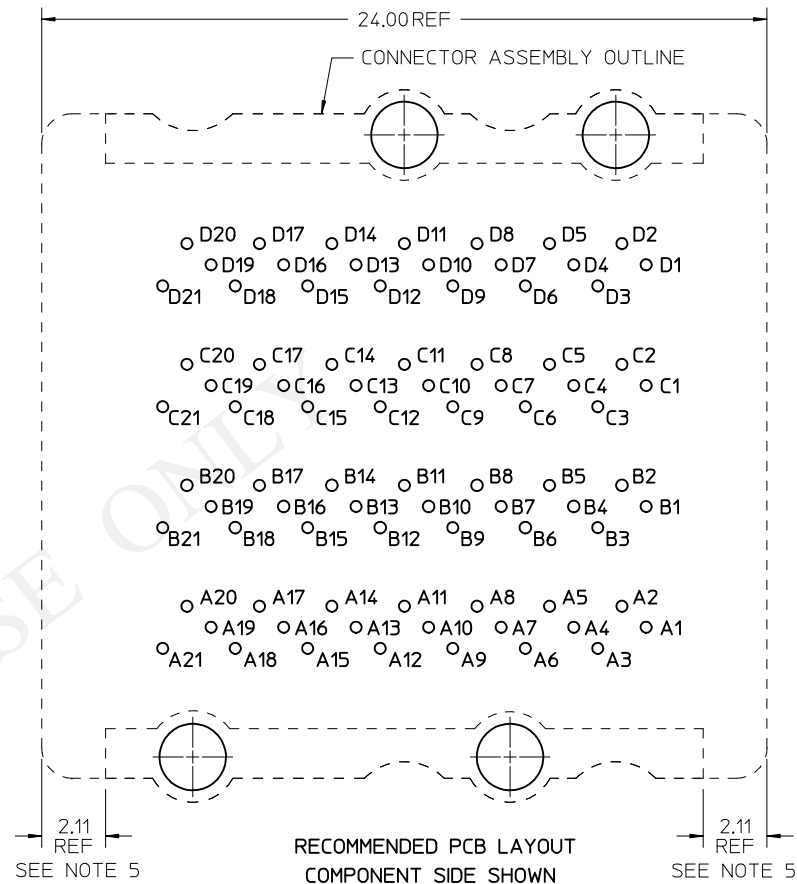
GENERAL TOLERANCES (UNLESS SPECIFIED)	
mm	INCH
4 PLACES ± ---	± ---
3 PLACES ± ---	± ---
2 PLACES ± 0.25	± ---
1 PLACE ± ---	± ---
0 PLACE ± ---	± ---
ANGULAR ±1/2°	
DRAFT WHERE APPLICABLE MUST REMAIN WITHIN DIMENSIONS	

DIMENSION STYLE	
MM ONLY	
DRAWN BY	DATE
GPRATT	2013/02/07
CHECKED BY	DATE
MBANAKIS	2013/02/07
APPROVED BY	DATE
MBANAKIS	2013/02/13
MATERIAL NO.	
SEE CHART	

SCALE	DESIGN UNITS	THIRD ANGLE PROJECTION
3:1	METRIC	☉
MATERIAL NUMBER		TAIL PLATING
769970242		TIN
VERTICAL CXP ASSEMBLY HIGH SPEED CHANNEL 0.8MM I/O		
molex		
DOCUMENT NO.	SHEET NO.	
SD-76997-242	1 OF 3	
THIS DRAWING CONTAINS INFORMATION THAT IS PROPRIETARY TO MOLEX. INCORPORATED AND SHOULD NOT BE USED WITHOUT WRITTEN PERMISSION		

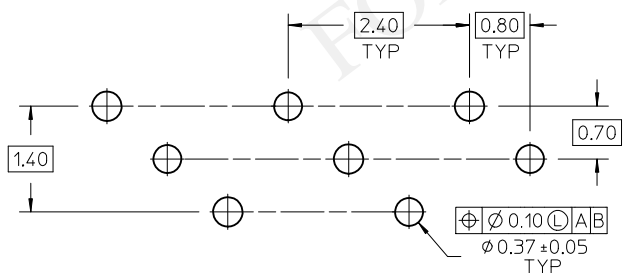


RECOMMENDED PCB LAYOUT
 COMPONENT SIDE SHOWN
 MULTIPLE APPLICATION SHOWN
 ON MINIMUM PITCH
 PCB THICKNESS: 1.57mm MIN.



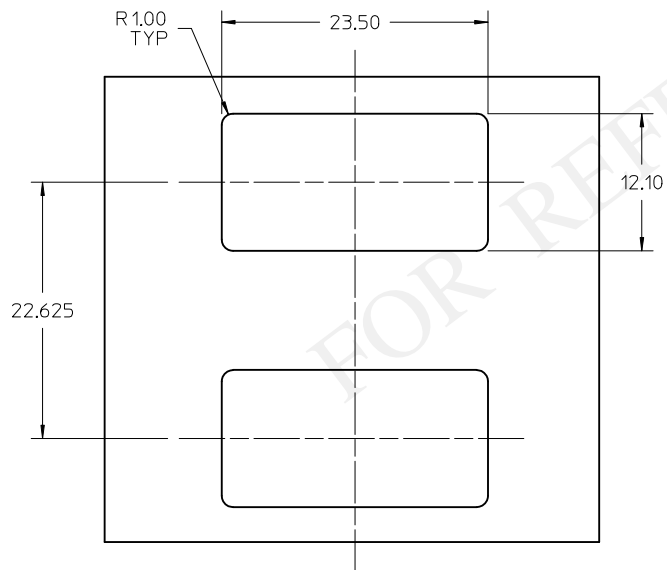
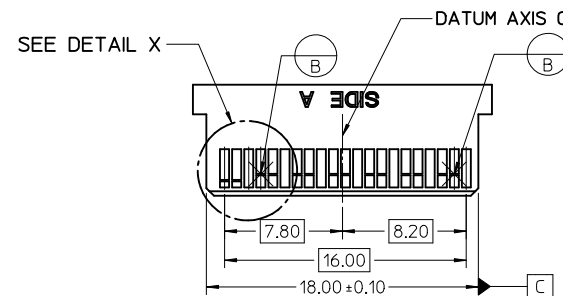
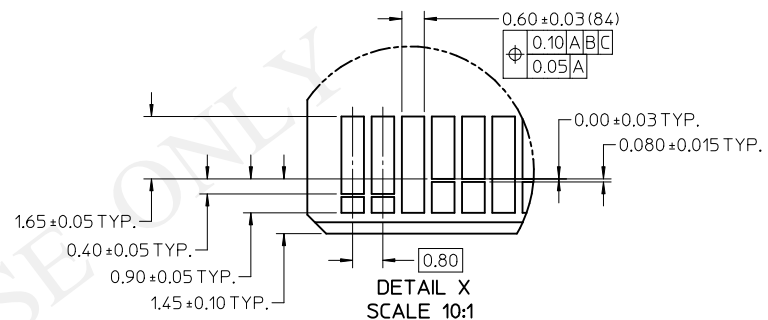
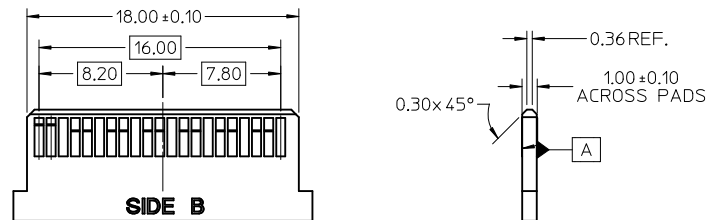
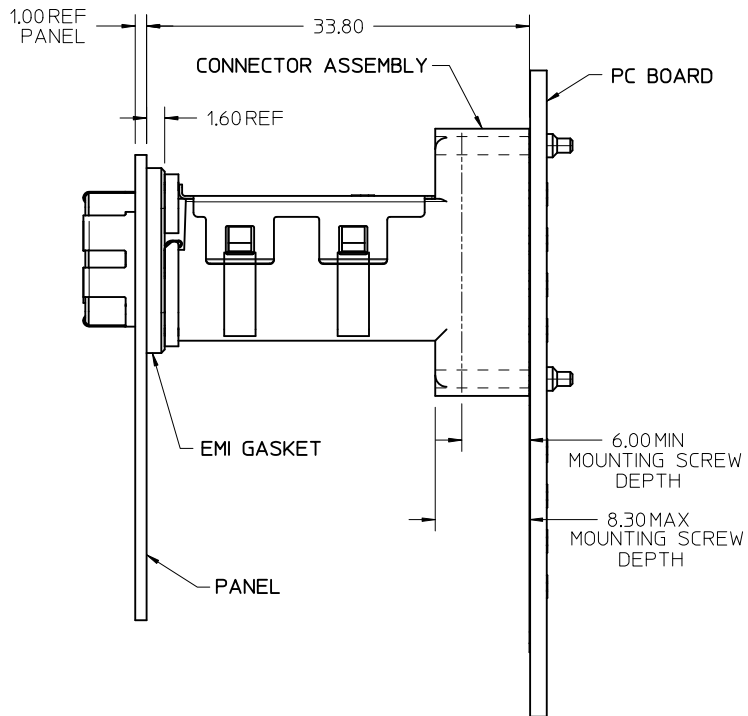
NOTES:

- CROSS-HATCHED AREA TO BE CONDUCTIVE ON THE PCB.
- CROSS-HATCHED AREA MUST BE INCORPORATED IN THE FLAT ROCK PRESS-FIT TOOLING.
- REFER TO THE PLATING DETAIL OF THE COMPLIANT PIN HOLES IN THE APPLICATION SPEC AS-76997-002 FOR THE DRILL SIZE AND ANNULAR RING FOR THE 0.37 ϕ FINISHED HOLE.
- DIE CAST RECEIVED 1.5MM IN THIS AREA.



DETAIL B
 (TYPICAL ROW LAYOUT)

SEE SHEET 1 EC NO: UCP2013-3343 DRAWN: GPRATT 2012/10/17 CHKD: MBANAKIS 2013/02/07 APPR: MBANAKIS 2013/02/13	QUALITY SYMBOLS ▽=0 ▽=0 ▽=0	GENERAL TOLERANCES (UNLESS SPECIFIED)		DIMENSION STYLE MM ONLY		SCALE 4:1	DESIGN UNITS METRIC	THIRD ANGLE PROJECTION	
		mm	INCH	DRAWN BY GPRATT	DATE 2013/02/07	TITLE VERTICAL CXP ASSEMBLY HIGH SPEED CHANNEL 0.8MM I/O			
A	DESCRIPTION REV	4 PLACES	± ---	± ---	CHECKED BY MBANAKIS	DATE 2013/02/07	DOCUMENT NO. SD-76997-242		
		3 PLACES	± ---	± ---	APPROVED BY MBANAKIS	DATE 2013/02/13			
DRAFT WHERE APPLICABLE MUST REMAIN WITHIN DIMENSIONS		ANGULAR ±1/2°		SEE SHEET 1		SHEET NO. 2 OF 3		THIS DRAWING CONTAINS INFORMATION THAT IS PROPRIETARY TO MOLEX INCORPORATED AND SHOULD NOT BE USED WITHOUT WRITTEN PERMISSION	



- NOTES:
- 0.03 MINIMUM KEEP OUT FOR SOLDER MASK AROUND ALL PADS
 - DATUM B TARGETS ARE DEFINED BY THE RESPECTIVE PAD CENTER LINES AND THE LEADING EDGE OF THE TARGET PADS

RECOMMENDED PADDLE CARD LAYOUT

SEE SHEET 1 EC NO: UCP2013-3343 DRAWING: GPRATT 2012/10/17 CHKD: MBANAKIS 2013/02/07 APPR: MBANAKIS 2013/02/13	QUALITY SYMBOLS ▽=0 ▽=0 ▽=0	GENERAL TOLERANCES (UNLESS SPECIFIED)		DIMENSION STYLE MM ONLY		SCALE 3:1	DESIGN UNITS METRIC	THIRD ANGLE PROJECTION	
		mm	INCH	DRAWN BY GPRATT	DATE 2013/02/07	TITLE VERTICAL CXP ASSEMBLY HIGH SPEED CHANNEL 0.8MM I/O	DOCUMENT NO. SD-76997-242		SHEET NO. 3 OF 3
A	REVISION	DRAFT WHERE APPLICABLE MUST REMAIN WITHIN DIMENSIONS		SEE SHEET 1		MATERIAL NO.		THIS DRAWING CONTAINS INFORMATION THAT IS PROPRIETARY TO MOLEX INCORPORATED AND SHOULD NOT BE USED WITHOUT WRITTEN PERMISSION	
		ANGULAR ±1/2°		SIZE C		MATERIAL NO.			

X-ON Electronics

Largest Supplier of Electrical and Electronic Components

Click to view similar products for [High Speed/Modular Connectors](#) category:

Click to view products by [Molex](#) manufacturer:

Other Similar products are found below :

[650827-1](#) [74040-1346](#) [1410191-1](#) [1410337-1](#) [1410368-3](#) [1410964-2](#) [1410326-3](#) [1410367-3](#) [1410971-4](#) [1467833-1](#) [2000877-1](#) [2000878-1](#)
[2041314-1](#) [2065387-1](#) [2187307-1](#) [163P](#) [1934290-1](#) [2000875-1](#) [2065917-1](#) [2102736-2](#) [FSR-40](#) [2169868-2](#) [22354-8](#) [437-5040-000](#) [5-](#)
[1393565-0](#) [039-0246-000](#) [0740618502](#) [0761601016](#) [0784461022](#) [10123159-12ELF](#) [030-2415-003/100 PK](#) [030-7380-004](#) [030-2494-001](#)
[532939-1](#) [5532901-3](#) [3-1469268-7](#) [74748-102LF](#) [73670-0247](#) [10041743-101LF](#) [10066670-100002LF](#) [1-533915-1](#) [249-4515-000](#) [7-1469373-](#)
[3](#) [DL2-2J/S](#) [2000713-8](#) [2000713-7](#) [10124313-101LF](#) [3011-21](#) [757105208](#) [EBTF-4-10-2.0-S-RA-1](#)