

PLEASE CHECK WWW.MOLEX.COM FOR LATEST PART INFORMATION

Part Number: [0780011244](#)
Status: **Active**
Overview: MiniDIMM Sockets
Description: 0.60mm Pitch miniDIMM Socket, Surface Mount, Reverse Right-Angle, with Off-White Latches, 1.8V Voltage Key, 244 Circuits, Lead-Free

Documents:

[3D Model](#) [Packaging Specification PK-78001-002-001 \(PDF\)](#)
[Drawing \(PDF\)](#) [RoHS Certificate of Compliance \(PDF\)](#)
[Application Specification AS-87782-001-001 \(PDF\)](#)

Agency Certification

CSA LR19980
 UL E29179

Application tooling part link

Application Tooling Part Link 62100-1900
 Application Tooling Part Link 62100-1950

General

Product Family Memory Module Sockets
 Series [78001](#)
 Component Type Socket
 JEDEC Outline MO-244
 Overview [MiniDIMM Sockets](#)
 Product Name MiniDIMM
 UPC 822350020183

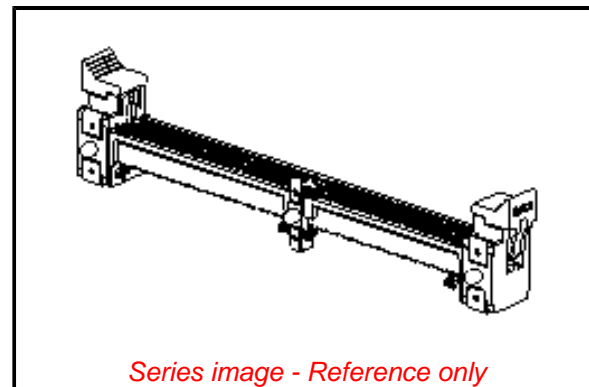
Physical

Circuits (Loaded) 244
 Circuits (maximum) 244
 Durability (mating cycles max) 25
 Entry Angle 90° Angle (Side Entry)
 Flammability 94V-0
 Housing Color Black
 Keying to Mating Part Yes
 Latch Color Natural (Off-White)
 Material - Metal Brass, Phosphor Bronze
 Material - Plating Mating Gold
 Material - Plating Termination Tin
 Material - Resin High Temperature Thermoplastic
 Net Weight 10.166/g
 PCB Locator Yes
 PCB Retention Yes
 Packaging Type Tray
 Pitch - Mating Interface 0.60mm
 Pitch - Termination Interface 0.60mm
 Plating min - Mating 0.762µm
 Plating min - Termination 3.810µm
 Temperature Range - Operating -55° to +85°C
 Termination Interface: Style Surface Mount

Electrical

Current - Maximum per Contact 1.0A
 Voltage - Maximum 30V
 Voltage Key 1.8V

Solder Process Data



Series image - Reference only

EU ELV

Not Relevant

EU RoHS

Compliant

REACH SVHC

Not Contained Per -
 D(2021)4569-DC (8
 July 2021)

Halogen-Free

Status

Not Low-Halogen

For more information, please visit [Contact US](#)

China ROHS

ELV

RoHS Phthalates

China RoHS

Green Image

Not Relevant

Not Contained

Search Parts in this Series

[78001 Series](#)

Mates With

JEDEC MO-244 Modules

Application Tooling | FAQ

Tooling specifications and manuals are found by selecting the products below. Crimp Height Specifications are then contained in the Application Tooling Specification document.

Global

Description	Product #
MiniDIMM Memory Card Extraction Tool	621001900
MiniDIMM Memory Card Insertion Tool	621001950

Duration at Max. Process Temperature (seconds)	005
Lead-freeProcess Capability	REFLOW
Max. Cycles at Max. Process Temperature	002
Process Temperature max. C	260

Material Info

Reference - Drawing Numbers

Application Specification	AS-87782-001-001
Electrical Model Document	EE-78001-001-001
Packaging Specification	PK-78001-002-001
S-Parameter Model	SP-78001-001-001
Sales Drawing	SD-78001-003-001

This document was generated on 09/22/2021

PLEASE CHECK WWW.MOLEX.COM FOR LATEST PART INFORMATION

X-ON Electronics

Largest Supplier of Electrical and Electronic Components

Click to view similar products for [DIMM Connectors](#) category:

Click to view products by [Molex](#) manufacturer:

Other Similar products are found below :

[1-1932649-2](#) [1-1761024-0](#) [2309411-5](#) [10116658-252ASLF](#) [5390471-1](#) [2309413-3](#) [78507-0061](#) [KIT-SODIMM-1X16GB/01](#) [10129206-0010013LF](#) [10086891-052TSLF](#) [10079192-11102LF](#) [10116658-152FSLF](#) [10129206-0011113LF](#) [1-2308107-0](#) [2013310-1](#) [2013289-1](#) [390111-1](#) [390112-1](#) [2309413-1](#) [2309407-1](#) [2309414-1](#) [10081530-12208LF](#) [151080-0001](#) [78726-1004](#) [10005639-11107LF](#) [10005639-11109LF](#) [10005639-12207LF](#) [10023061-10207LF](#) [10033853-252FSLF](#) [10033853-052ASLF](#) [10033853-052FSLF](#) [10033853-152FSLF](#) [10033854-052FSLF](#) [10034542-10002LF](#) [10037402-12207LF](#) [10081530-11107LF](#) [10081530-12207LF](#) [10081530-12218LF](#) [10124632-0030001LF](#) [10124806-01006LF](#) [10145891-0320J13LF](#) [10145226-0241N13LF](#) [59354-052FSLF](#) [59355-052FSLF](#) [DDR4288S0211TF](#) [DDR4288S0511H](#) [DDR4288S0511TF](#) [DDR4288V0123TF](#) [DDR4288V0213TF](#) [DDR502112001K](#)