

**PLEASE CHECK WWW.MOLEX.COM FOR LATEST PART INFORMATION**

**Part Number:** [0780350001](#)

**Status:** **Active**

**Overview:** [MiniDIMM Sockets](#)

**Description:** 0.60mm Pitch miniDIMM DDR2 Socket, Surface Mount, 22.5° Reverse Angle, 0.76µm Gold (Au) Plating, Off-White Latches, with Pick-and-Place Cap, 244 Circuits, 1.8V Voltage Key, Lead-Free

**Documents:**

[3D Model](#)

[Drawing \(PDF\)](#)

[Application Specification AS-87782-001-001 \(PDF\)](#)

[Packaging Specification PK-78035-001-001 \(PDF\)](#)

[RoHS Certificate of Compliance \(PDF\)](#)

**Agency Certification**

CSA LR19980  
UL E29179

**Application tooling part link**

Application Tooling Part Link 62100-1960

**General**

Product Family Memory Module Sockets  
Series [78035](#)  
Component Type Socket  
JEDEC Outline MO-244  
Overview [MiniDIMM Sockets](#)  
Product Name MiniDIMM  
UPC 822350247795

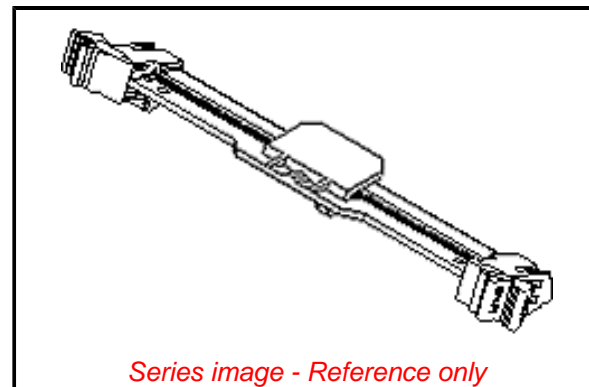
**Physical**

Circuits (Loaded) 244  
Circuits (maximum) 244  
Durability (mating cycles max) 25  
Entry Angle 22.5° Angle  
Flammability 94V-0  
Housing Color Black  
Keying to Mating Part Yes  
Latch Color Natural (Off-White)  
Material - Metal Copper Alloy  
Material - Plating Mating Gold  
Material - Plating Termination Tin  
Material - Resin High Temperature Thermoplastic  
Net Weight 6.050/g  
PCB Locator Yes  
PCB Retention Yes  
Packaging Type Tray  
Pitch - Mating Interface 0.60mm  
Pitch - Termination Interface 0.60mm  
Plating min - Mating 0.762µm  
Plating min - Termination 2.540µm  
Temperature Range - Operating -10° to +85°C  
Termination Interface: Style Surface Mount

**Electrical**

Current - Maximum per Contact 1.0A  
Voltage - Maximum 30V  
Voltage Key 1.8V

**Solder Process Data**



Series image - Reference only

**EU ELV**

**Not Relevant**

**EU RoHS**

**Compliant**

**REACH SVHC**

Not Contained Per -  
D(2021)4569-DC (8  
July 2021)

**Halogen-Free**

**Status**

**Not Low-Halogen**

For more information, please visit [Contact US](#)

China ROHS

ELV

RoHS Phthalates

**China RoHS**

Green Image

Not Relevant

Not Contained

**Search Parts in this Series**

[78035 Series](#)

**Mates With**

[JEDEC MO-244 Modules](#)

Duration at Max. Process Temperature (seconds)	005
Lead-freeProcess Capability	REFLOW
Max. Cycles at Max. Process Temperature	001
Process Temperature max. C	260

**Material Info**

**Reference - Drawing Numbers**

Application Specification	AS-87782-001-001
Electrical Model Document	EE-78035-001-001
Packaging Specification	PK-78035-001-001
S-Parameter Model	SP-78035-001-001
Sales Drawing	SD-78035-001-001

This document was generated on 10/04/2021

**PLEASE CHECK [WWW.MOLEX.COM](http://WWW.MOLEX.COM) FOR LATEST PART INFORMATION**

## X-ON Electronics

Largest Supplier of Electrical and Electronic Components

*Click to view similar products for [DIMM Connectors](#) category:*

*Click to view products by [Molex](#) manufacturer:*

Other Similar products are found below :

[1-1932649-2](#) [1-1761024-0](#) [2309411-5](#) [10116658-252ASLF](#) [5390471-1](#) [2309413-3](#) [78507-0061](#) [KIT-SODIMM-1X16GB/01](#) [10129206-0010013LF](#) [10086891-052TSLF](#) [10079192-11102LF](#) [10116658-152FSLF](#) [10129206-0011113LF](#) [1-2308107-0](#) [2013310-1](#) [2013289-1](#) [390111-1](#) [390112-1](#) [2309413-1](#) [2309407-1](#) [2309414-1](#) [10081530-12208LF](#) [151080-0001](#) [78726-1004](#) [10005639-11107LF](#) [10005639-11109LF](#) [10005639-12207LF](#) [10023061-10207LF](#) [10033853-252FSLF](#) [10033853-052ASLF](#) [10033853-052FSLF](#) [10033853-152FSLF](#) [10033854-052FSLF](#) [10034542-10002LF](#) [10037402-12207LF](#) [10081530-11107LF](#) [10081530-12207LF](#) [10081530-12218LF](#) [10124632-0030001LF](#) [10124806-01006LF](#) [10145891-0320J13LF](#) [10145226-0241N13LF](#) [59354-052FSLF](#) [59355-052FSLF](#) [DDR4288S0211TF](#) [DDR4288S0511H](#) [DDR4288S0511TF](#) [DDR4288V0123TF](#) [DDR4288V0213TF](#) [DDR502112001K](#)