

PLEASE CHECK WWW.MOLEX.COM FOR LATEST PART INFORMATION

Part Number: [0782341001](#)
Status: **Active**
Overview: [GbX I-Trac Backplane Connector System](#)
Description: [GbX I-Trac Right-Angle Header with Left Hold Down, Power Module, 2 Blades, 80 Amps, Lead-Free](#)

Documents:

3D Model	Application Specification AS-78231-007-001 (PDF)
Drawing (PDF)	Packaging Specification PK-78234-001 (PDF)
Product Specification PS-78231-006-001 (PDF)	RoHS Certificate of Compliance (PDF)

Agency Certification

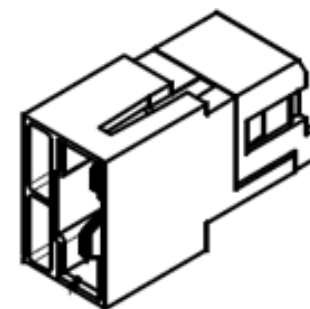
CSA	LR19980
UL	E29179

General

Product Family	Backplane Connectors
Series	78234
Application	Daughtercard
Component Type	Power Header
Overview	GbX I-Trac Backplane Connector System
Product Name	GbX I-Trac
UPC	883906023331

Physical

Circuits (Loaded)	2
Circuits (maximum)	2
Circuits Detail	80 Amps (40/Split Blade). Power Module 1: Blade Length P1, 8.27mm; P2, 8.27mm
Color - Resin	Black
Durability (mating cycles max)	100
First Mate / Last Break	No
Flammability	94V-0
Guide to Mating Part	No
Keying to Mating Part	None
Material - Metal	High Performance Alloy (HPA)
Material - Plating Mating	Gold
Material - Plating Termination	Tin
Material - Resin	High Temperature Thermoplastic
Net Weight	10.495/g
Number of Columns	1
Number of Pairs	6
Number of Rows	2
Orientation	Right Angle
PC Tail Length	2.41mm
PCB Locator	Yes
PCB Retention	Yes
PCB Thickness - Recommended	1.60mm
Packaging Type	Tray
Pitch - Mating Interface	2.00mm, 7.40mm
Pitch - Termination Interface	2.00mm, 7.40mm
Plating min - Mating	0.762µm
Plating min - Termination	2.540µm
Polarized to PCB	Yes
Stackable	No
Surface Mount Compatible (SMC)	Yes
Temperature Range - Operating	-20° to +85°C



Series image - Reference only

EU ELV

Not Relevant

EU RoHS

Compliant

REACH SVHC

Not Contained Per -ED/88/2018 (15 January 2019)

Halogen-Free

Status

Low-Halogen

For more information, please visit [Contact US](#)

China ROHS

ELV

RoHS Phthalates

China RoHS

Green Image

Not Relevant

Not Contained

Search Parts in this Series

[78234](#) Series

Mates With

[78232](#) GbX I-Trac Vertical Receptacle, Power Module, [78235](#) GbX I-Trac Power Right Angle Receptacle

Use With

[75710](#) GbX I-Trac Right Angle, 11 Row Receptacle Module

Application Tooling | FAQ

Tooling specifications and manuals are found by selecting the products below. Crimp Height Specifications are then contained in the Application Tooling Specification document.

Global

Description	Product #
--------------------	------------------

Press-in Tool for Right-Angle Power Receptacle and Header for 11-Row	622018628
--	---------------------------

Termination Interface: Style Through Hole - Compliant Pin

Electrical

Current - Maximum per Contact	80.0A
Data Rate	12.0 Gbps
Shield Type	N/A
Shielded	No
Voltage - Maximum	250V DC

Solder Process Data

Lead-freeProcess Capability	N/A
-----------------------------	-----

Material Info

Reference - Drawing Numbers

Application Specification	AS-78231-007-001
Packaging Specification	PK-78234-001
Product Specification	PS-78231-006-001
Sales Drawing	SD-78234-003

This document was generated on 03/04/2019

PLEASE CHECK WWW.MOLEX.COM FOR LATEST PART INFORMATION

X-ON Electronics

Largest Supplier of Electrical and Electronic Components

Click to view similar products for [High Speed/Modular Connectors](#) category:

Click to view products by [Molex](#) manufacturer:

Other Similar products are found below :

[650827-1](#) [74040-1346](#) [1410191-1](#) [1410337-1](#) [1410368-3](#) [1410964-2](#) [1410326-3](#) [1410367-3](#) [1410971-4](#) [1467833-1](#) [2000877-1](#) [2000878-1](#)
[2041314-1](#) [2065387-1](#) [2187307-1](#) [163P](#) [1934290-1](#) [2000875-1](#) [2065917-1](#) [2102736-2](#) [FSR-40](#) [2169868-2](#) [22354-8](#) [437-5040-000](#) [5-](#)
[1393565-0](#) [039-0246-000](#) [0740618502](#) [0761601016](#) [0784461022](#) [10123159-12ELF](#) [030-2415-003/100 PK](#) [030-7380-004](#) [030-2494-001](#)
[532939-1](#) [5532901-3](#) [3-1469268-7](#) [74748-102LF](#) [73670-0247](#) [10041743-101LF](#) [10066670-100002LF](#) [1-533915-1](#) [249-4515-000](#) [7-1469373-](#)
[3](#) [DL2-2J/S](#) [2000713-8](#) [2000713-7](#) [10124313-101LF](#) [3011-21](#) [757105208](#) [EBTF-4-10-2.0-S-RA-1](#)