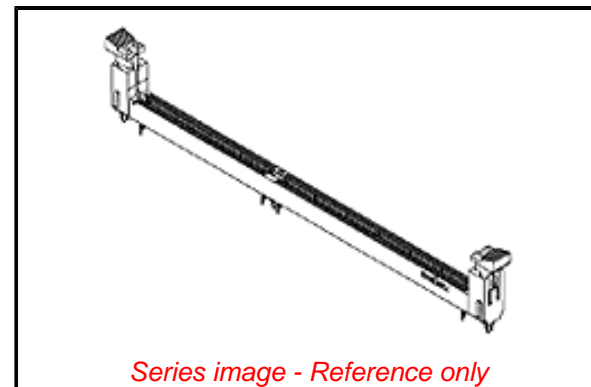


PLEASE CHECK WWW.MOLEX.COM FOR LATEST PART INFORMATION

Part Number: [0783210011](#)
Status: **Active**
Overview: DDR3 DIMM Sockets
Description: 1.00mm Pitch DDR3 DIMM Socket, LLCR, Vertical, Through Hole, with Beveled Metal Pins, Black Housing and Latches, 0.76µm Gold (Au) Plating, 2.67mm Solder Tail Length, 1.57mm PCB Thickness, 240 Circuits, Lead-Free

Documents:

[3D Model](#) [Packaging Specification PK-78321-001 \(PDF\)](#)
[Drawing \(PDF\)](#) [RoHS Certificate of Compliance \(PDF\)](#)
[Product Specification PS-78321-001-001 \(PDF\)](#)



Agency Certification

CSA LR19980
 UL E29179

General

Product Family Memory Module Sockets
 Series [78321](#)
 Component Type Socket
 Electrical Model Yes
 JEDEC Outline MO-269
 Overview [DDR3 DIMM Sockets](#)
 Product Name DDR3 DIMM
 UPC 883906020972

Physical

Circuits (Loaded) 240
 Circuits (maximum) 240
 Durability (mating cycles max) 25
 Entry Angle Vertical
 Flammability 94V-0
 Function Key None
 Housing Color Black
 Keying to Mating Part Yes
 Latch Color Black
 Material - Metal Copper Alloy
 Material - Plating Mating Gold
 Material - Plating Termination Tin
 Material - Resin High Temperature Thermoplastic
 Net Weight 9.228/g
 PC Tail Length 2.67mm
 PCB Locator Yes
 PCB Retention Yes
 PCB Thickness - Recommended 1.57mm
 Packaging Type Tray
 Pitch - Mating Interface 1.00mm
 Pitch - Termination Interface 1.00mm
 Plating min - Mating 0.762µm
 Plating min - Termination 2.540µm
 Temperature Range - Operating -55° to +85°C
 Termination Interface: Style Through Hole

Electrical

Current - Maximum per Contact 1.0A
 Voltage - Maximum 30V AC (RMS)/DC
 Voltage Key Center

EU ELV

Not Relevant

EU RoHS

Compliant

REACH SVHC

Not Contained Per -
 ED/71/2019 (16 July
 2019)

Halogen-Free

Status

Not Low-Halogen

For more information, please visit [Contact US](#)

China ROHS

ELV

RoHS Phthalates

China RoHS

Green Image

Not Relevant

Not Contained

Search Parts in this Series

[78321 Series](#)

Mates With

JEDEC Standard 1.27mm Modules

Solder Process Data

Duration at Max. Process Temperature (seconds)	005
Lead-free Process Capability	SMC&WAVE
Max. Cycles at Max. Process Temperature	002
Process Temperature max. C	260

Material Info**Reference - Drawing Numbers**

Electrical Model Document	EE-78321-001, EE-78321-002
Packaging Specification	PK-78321-001
Product Specification	PS-78321-001-001
S-Parameter Model	SP-78321-001
Sales Drawing	SD-78321-001

This document was generated on 09/18/2019

PLEASE CHECK WWW.MOLEX.COM FOR LATEST PART INFORMATION

X-ON Electronics

Largest Supplier of Electrical and Electronic Components

Click to view similar products for [DIMM Connectors](#) category:

Click to view products by [Molex](#) manufacturer:

Other Similar products are found below :

[1-1932649-2](#) [1-1761024-0](#) [2309411-5](#) [10116658-252ASLF](#) [5390471-1](#) [2309413-3](#) [78507-0061](#) [KIT-SODIMM-1X16GB/01](#) [10129206-0010013LF](#) [10086891-052TSLF](#) [10079192-11102LF](#) [10116658-152FSLF](#) [10129206-0011113LF](#) [1-2308107-0](#) [2013310-1](#) [2013289-1](#) [390111-1](#) [390112-1](#) [2309413-1](#) [2309407-1](#) [2309414-1](#) [10081530-12208LF](#) [151080-0001](#) [78726-1004](#) [10005639-11107LF](#) [10005639-11109LF](#) [10005639-12207LF](#) [10023061-10207LF](#) [10033853-252FSLF](#) [10033853-052ASLF](#) [10033853-052FSLF](#) [10033853-152FSLF](#) [10033854-052FSLF](#) [10034542-10002LF](#) [10037402-12207LF](#) [10081530-11107LF](#) [10081530-12207LF](#) [10081530-12218LF](#) [10124632-0030001LF](#) [10124806-01006LF](#) [10145891-0320J13LF](#) [10145226-0241N13LF](#) [59354-052FSLF](#) [59355-052FSLF](#) [DDR4288S0211TF](#) [DDR4288S0511H](#) [DDR4288S0511TF](#) [DDR4288V0123TF](#) [DDR4288V0213TF](#) [DDR502112001K](#)