

HEADER WITH LEFT HOLD DOWN (FIGURE 1)				
PART NUMBER	NUMBER OF POWER MODULES	"DIM A"	PLATING OPTION	LEFT HOLD DOWN MODULE LOCATION
78347-100*	1X	15.00	TIN	REFER TO SHEET 2 FOR DETAILS
78347-10**	2X	26.40		

HEADER WITH RIGHT HOLD DOWN (FIGURE 2)				
PART NUMBER	NUMBER OF POWER MODULES	"DIM A"	PLATING OPTION	RIGHT HOLD DOWN MODULE LOCATION
78347-200*	1X	15.00	TIN	REFER TO SHEET 2 FOR DETAILS
78347-20**	2X	26.40		

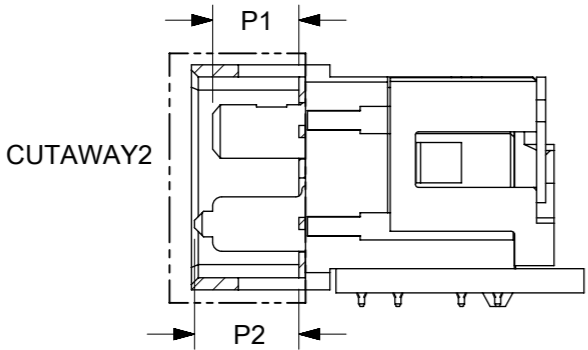


FIGURE 3: BLADE P1 AND P2 LOCATION

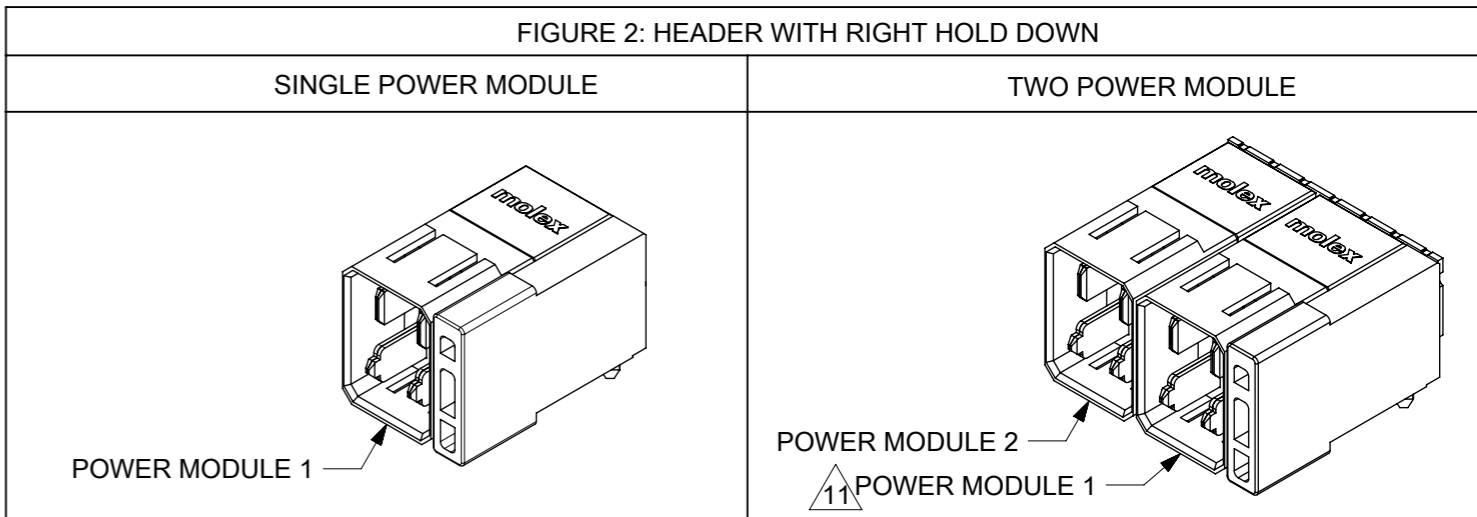
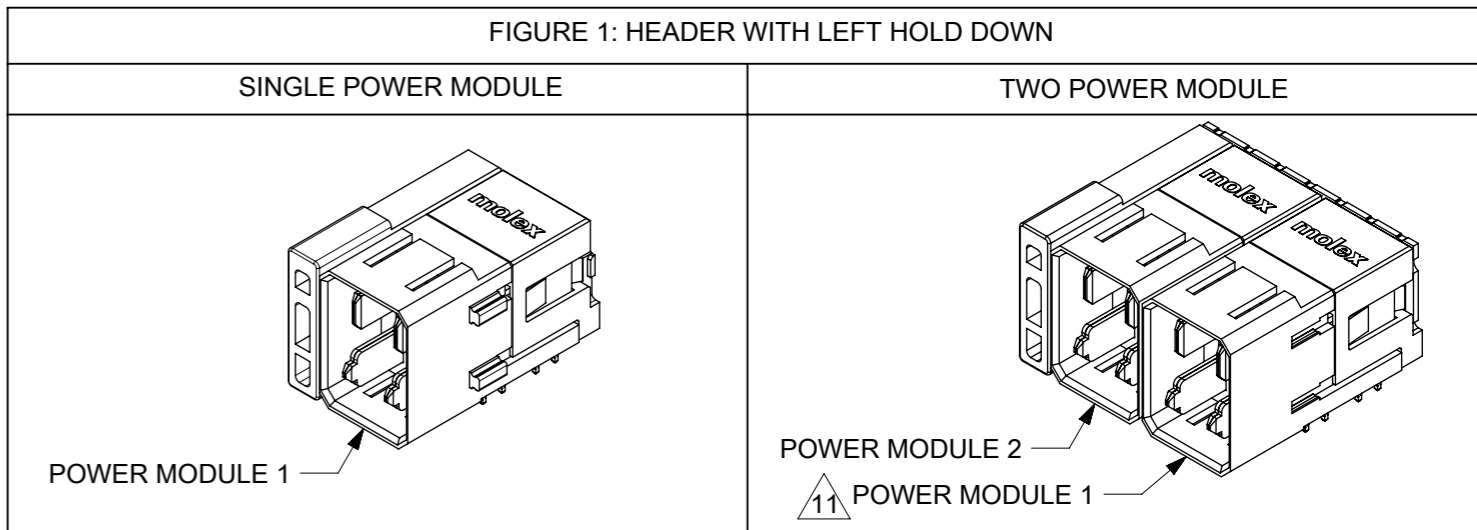
- NOTES:
- MATERIALS:  
HOUSING - LCP, GLASS FILLED, UL 94-V0, BLACK.  
POWER PIN - COPPER ALLOY.
  - FINISHES:  
0.76µm MINIMUM GOLD AT CONTACT AREA AND  
2.54µm MINIMUM TIN AT SOLDER TAIL AREA OVER  
1.27µm MINIMUM NICKEL UNDERPLATE.
  - PRODUCT SPECIFICATION: PS-78213-001.
  - PACKAGING SPECIFICATION:  
PK-78347-001 (1X MODULE WITH HOLD DOWN MODULE)  
PK-78347-002 (2X MODULE WITH HOLD DOWN MODULE)
  - REFER TO MOLEX PRODUCT SPECIFICATION PS-78213-001 FOR PLATED THROUGH-HOLE SPECIFICATIONS AND TORQUE FORCE.
  - MATES WITH 78212-\*\*\*\* or 78348-\*\*\*\*.
  - PART NUMBER AND YEAR-DAY CODE CAN BE AT THE OPPOSITE SIDE.
  - ADD 11.40mm FOR EACH ADDITIONAL POWER MODULE.
  - THE DETAILS FOR LEFT & RIGHT HOLD DOWN OPTION ARE SHOWN IN SHEET 2, 3 AND SHEET 4 RESPECTIVELY.
  - CONNECTORS ARE PACKED IN A TRAY.
  - FIRST POWER MODULE (#1) STARTS FROM THE RIGHT.
  - REFER TO SD-78211-002 FOR DETAILS OF THE POWER MODULE.
  - ALL PARTS ARE SHIPPED WITH A 2-32 TYPE AB SELF-TAPPING SCREW PART NUMBER 73726-0000.
  - COMPONENT STAY AWAY ZONE FROM CONNECTOR.

DOCUMENT STATUS	P1	RELEASE DATE	2019/03/13	10:32:46
-----------------	----	--------------	------------	----------

PLATING OPTION	HOLD DOWN MODULE LOCATION	*
TIN	LEFT	1
	RIGHT	2

POWER MODULE 2		
*	BLADE LENGTH	
	P1	P2
0	MODULE NOT PRESENT	
1	6.90	6.90
2	5.70	5.70
3	6.90	5.70
4	5.70	6.90

POWER MODULE 1		
*	BLADE LENGTH	
	P1	P2
1	6.90	6.90
2	5.70	5.70
3	6.90	5.70
4	5.70	6.90



THIS DRAWING CONTAINS INFORMATION THAT IS PROPRIETARY TO MOLEX ELECTRONIC TECHNOLOGIES, LLC AND SHOULD NOT BE USED WITHOUT WRITTEN PERMISSION

DIMENSION UNITS	SCALE	CURRENT REV DESC: MIGRATED TO NX	
mm	NTS		
GENERAL TOLERANCES (UNLESS SPECIFIED)			
ANGULAR TOL	± 3.0°	EC NO: 612508	
4 PLACES	±	DRWN: PSHANKARACHA	2019/01/17
3 PLACES	±	CHK'D: ABN	2019/03/12
2 PLACES	± 0.25	APPR: CWANG25	2019/03/13
1 PLACE	±	INITIAL REVISION:	
0 PLACES	±	DRWN: LNG	2010/08/11
DRAFT WHERE APPLICABLE MUST REMAIN WITHIN DIMENSIONS		APPR: SHONG	2011/02/08
THIRD ANGLE PROJECTION	DRAWING	SERIES	MATERIAL NUMBER
	A3-SIZE	78347	SEE TABLE
CUSTOMER		DOC TYPE	DOC PART
GENERAL MARKET		PSD	001
SHEET NUMBER		REVISION	
1 OF 5		B8	

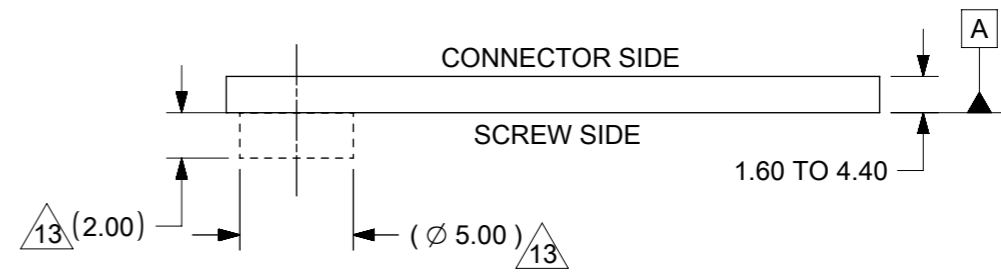
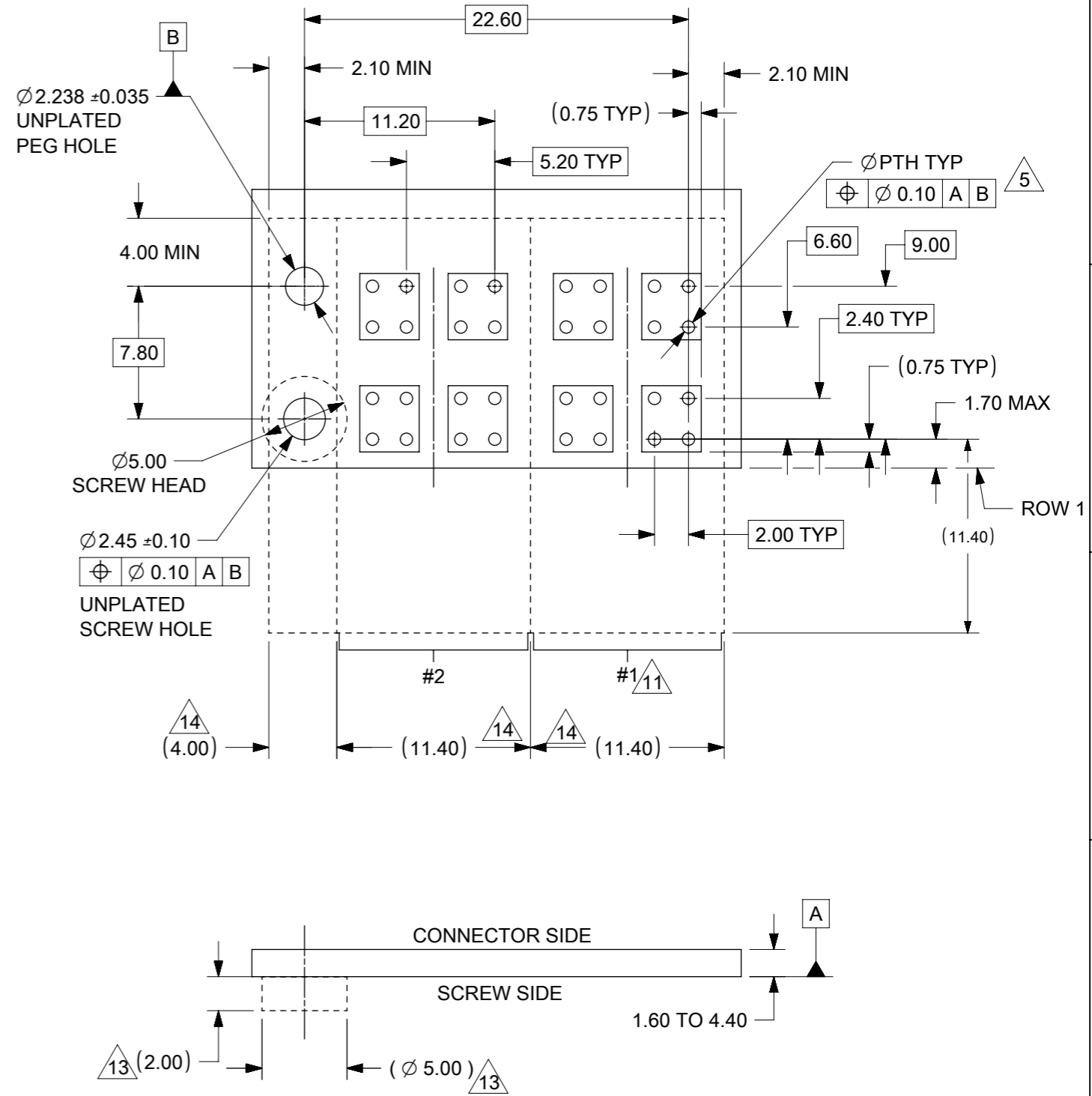
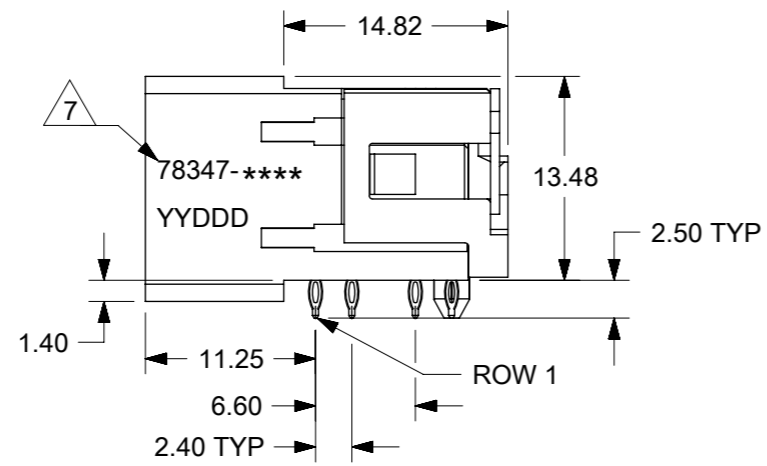
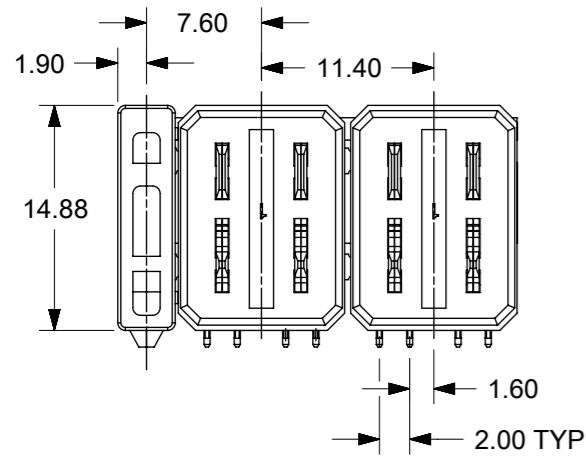
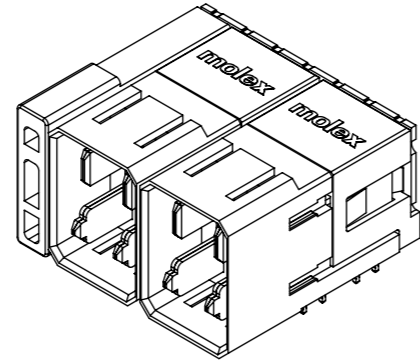
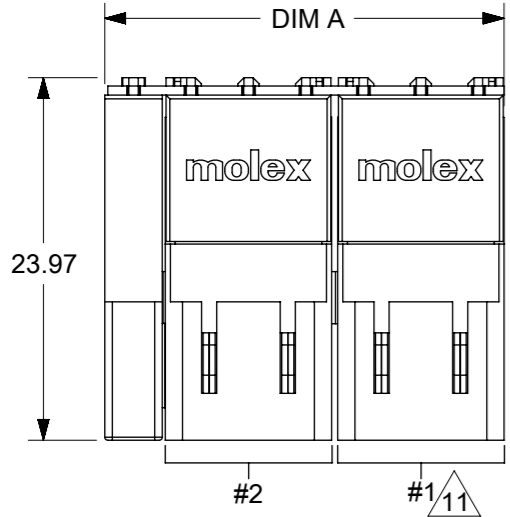
**molex**

IMPACT POWER, 3 PAIR  
R/A HEADER W/HOLD DOWN PRESS-FIT

PRODUCT CUSTOMER DRAWING

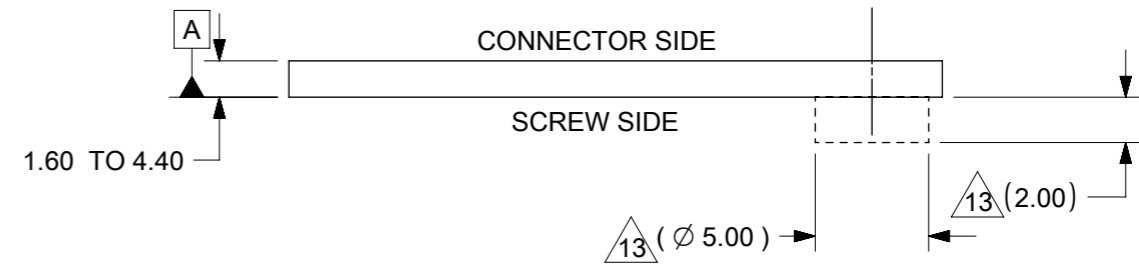
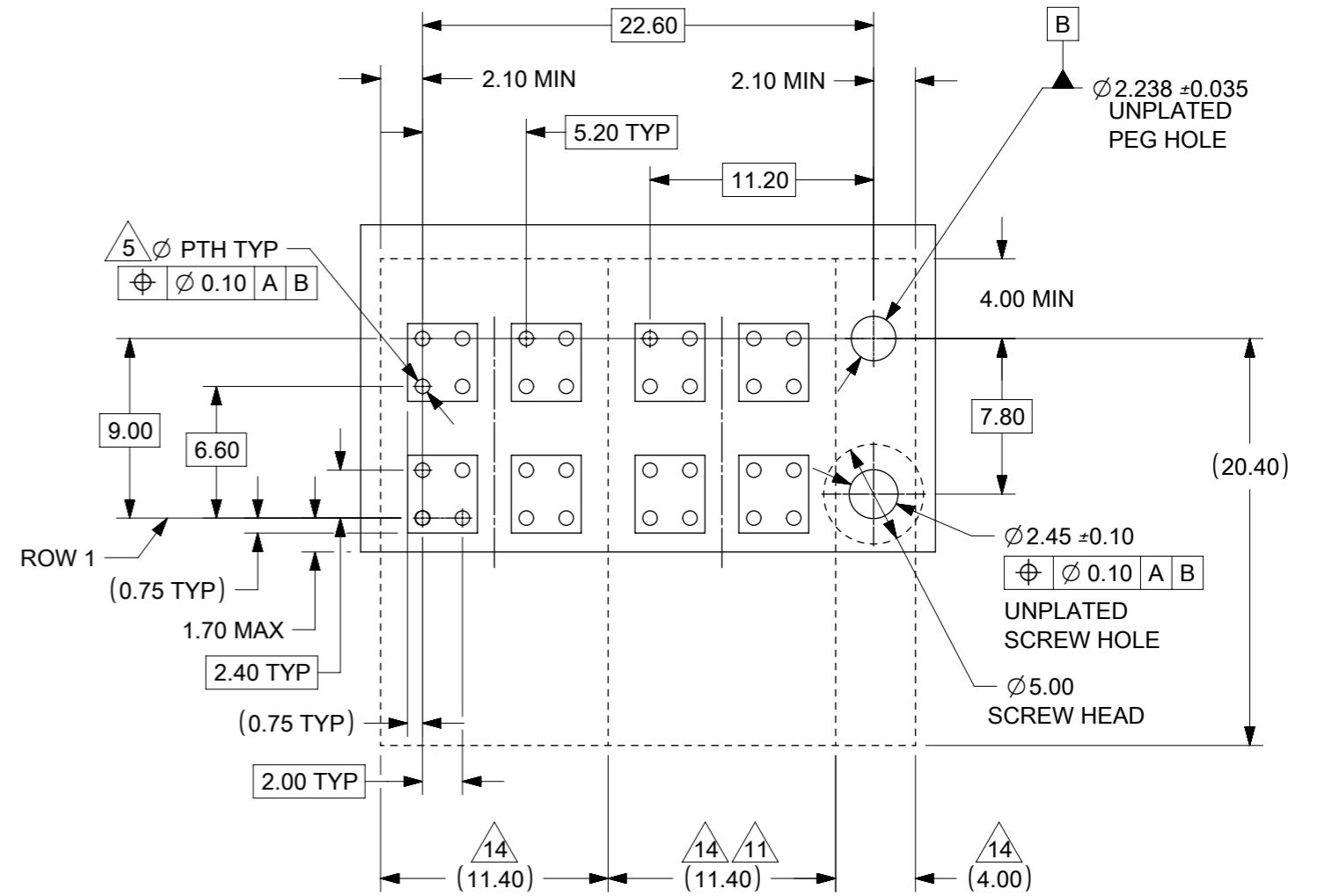
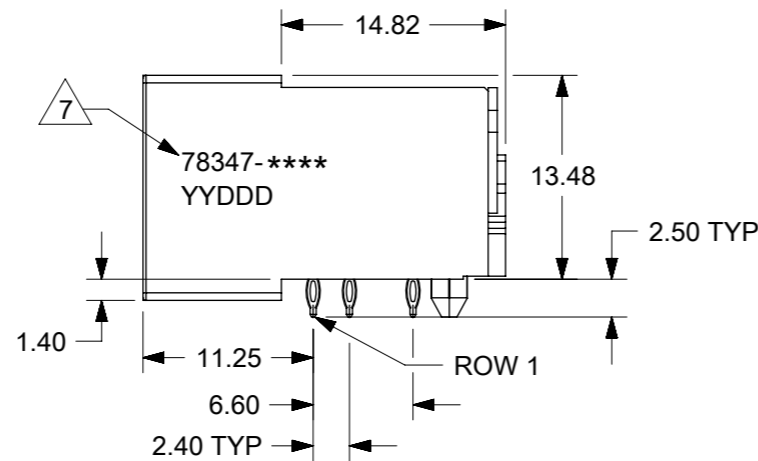
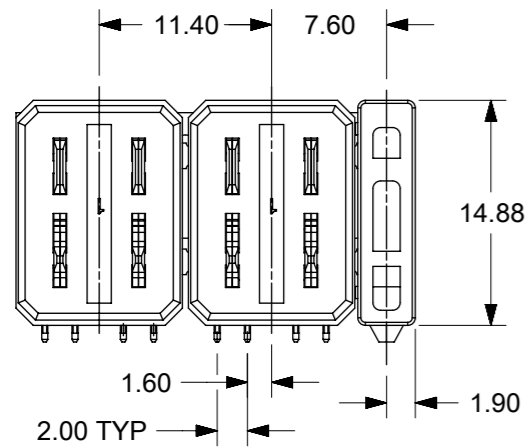
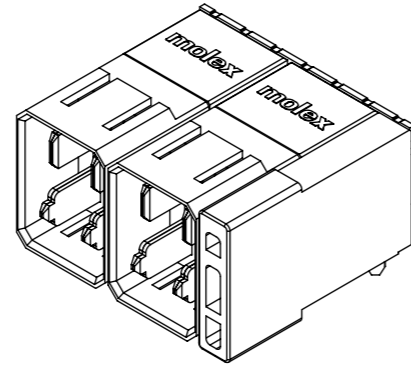
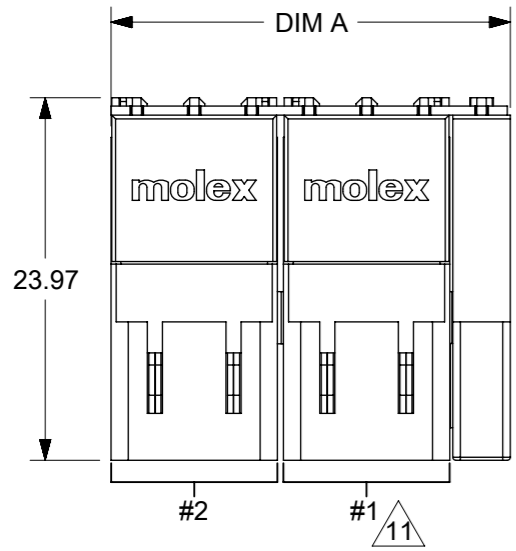
DOCUMENT NUMBER: SD-78347-001

LEFT HOLD DOWN OPTION

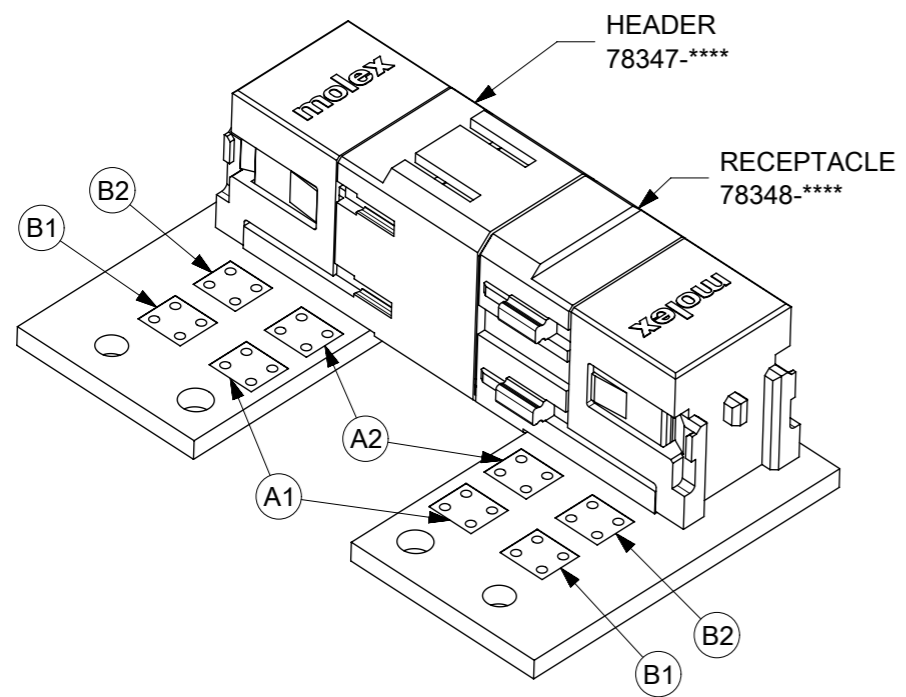


THIS DRAWING CONTAINS INFORMATION THAT IS PROPRIETARY TO MOLEX ELECTRONIC TECHNOLOGIES, LLC AND SHOULD NOT BE USED WITHOUT WRITTEN PERMISSION										
DIMENSION UNITS		SCALE		CURRENT REV DESC: MIGRATED TO NX					<b>molex</b>	
mm		NTS							IMPACT POWER, 3 PAIR R/A HEADER W/HOLD DOWN PRESS-FIT	
GENERAL TOLERANCES (UNLESS SPECIFIED)					PRODUCT CUSTOMER DRAWING					
ANGULAR TOL		± 3.0 °		EC NO: 612508		DRWN: PSHANKARACHA		2019/01/17		DOCUMENT NUMBER
4 PLACES		±		CHK'D: ABN		2019/03/12		SD-78347-001		DOC TYPE
3 PLACES		±		APPR: CWANG25		2019/03/13		PSD		DOC PART
2 PLACES		± 0.25		INITIAL REVISION:				001		REVISION
1 PLACE		±		DRWN: LNG		2010/08/11		B8		
0 PLACES		±		APPR: SHONG		2011/02/08				
DRAFT WHERE APPLICABLE MUST REMAIN WITHIN DIMENSIONS			THIRD ANGLE PROJECTION		DRAWING		SERIES		MATERIAL NUMBER	
					A3-SIZE		78347		CUSTOMER	
							SEE TABLE		GENERAL MARKET	
									SHEET NUMBER	
									2 OF 5	

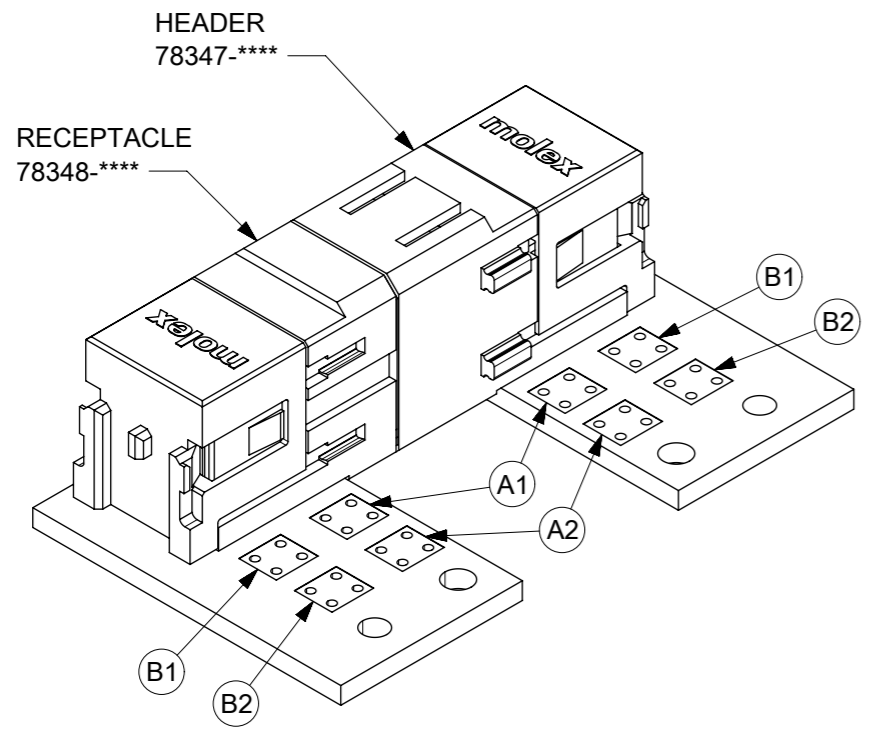
# RIGHT HOLD DOWN OPTION



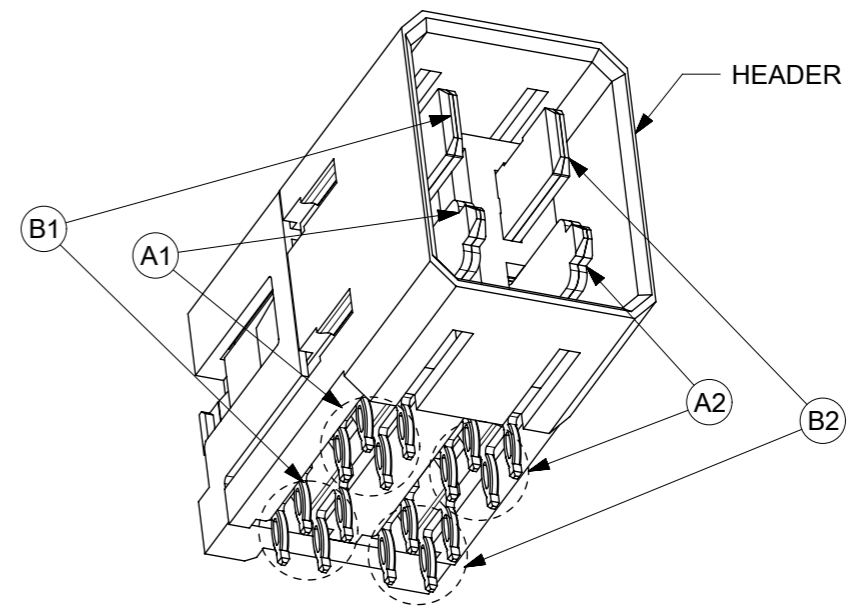
THIS DRAWING CONTAINS INFORMATION THAT IS PROPRIETARY TO MOLEX ELECTRONIC TECHNOLOGIES, LLC AND SHOULD NOT BE USED WITHOUT WRITTEN PERMISSION		CURRENT REV DESC: MIGRATED TO NX		<b>molex</b>	
DIMENSION UNITS	SCALE				
mm	NTS			PRODUCT CUSTOMER DRAWING	
GENERAL TOLERANCES (UNLESS SPECIFIED)		EC NO: 612508		DOCUMENT NUMBER	
ANGULAR TOL $\pm$ 3.0°		DRWN: PSHANKARACHA 2019/01/17		SD-78347-001	
4 PLACES $\pm$		CHK'D: ABN 2019/03/12		DOC TYPE DOC PART REVISION	
3 PLACES $\pm$		APPR: CWANG25 2019/03/13		PSD 001 B8	
2 PLACES $\pm$ 0.25		INITIAL REVISION:		MATERIAL NUMBER	
1 PLACE $\pm$		DRWN: LNG 2010/08/11		CUSTOMER	
0 PLACES $\pm$		APPR: SHONG 2011/02/08		GENERAL MARKET	
DRAFT WHERE APPLICABLE MUST REMAIN WITHIN DIMENSIONS		THIRD ANGLE PROJECTION	DRAWING	SERIES	SHEET NUMBER
			A3-SIZE	78347	3 OF 5



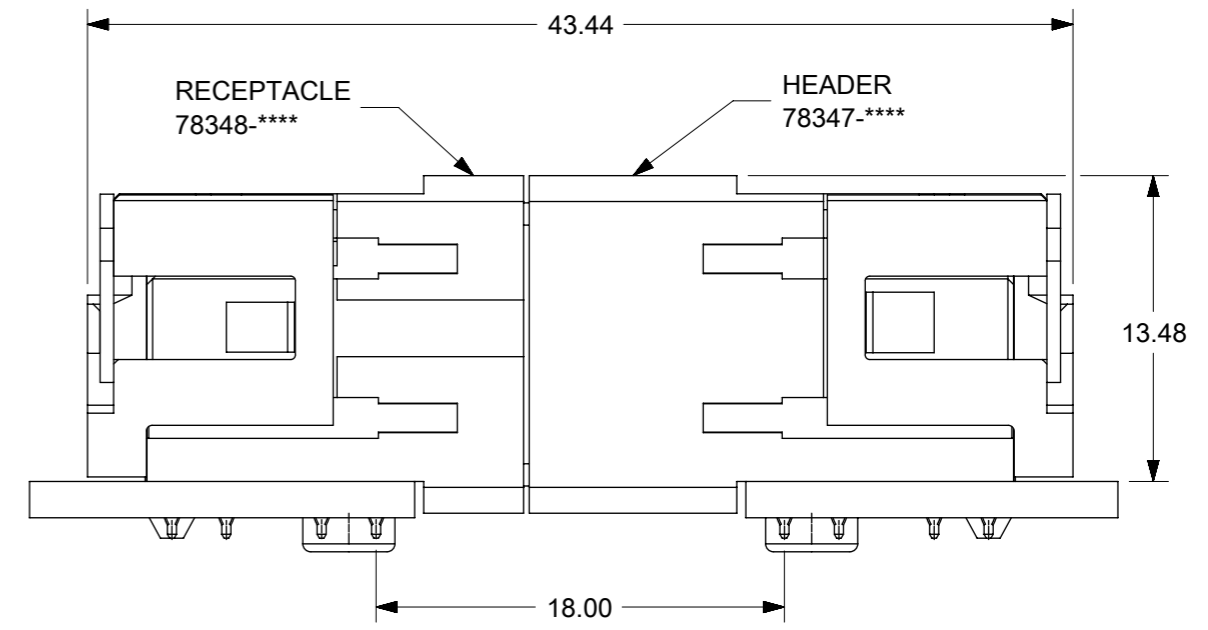
LEFT HOLD DOWN:  
1 POWER MODULE AND HOLD DOWN REMOVED TO  
ILLUSTRATE CIRCUIT PATH OF MATED SYSTEM



RIGHT HOLD DOWN:  
1 POWER MODULE AND HOLD DOWN REMOVED TO  
ILLUSTRATE CIRCUIT PATH OF MATED SYSTEM

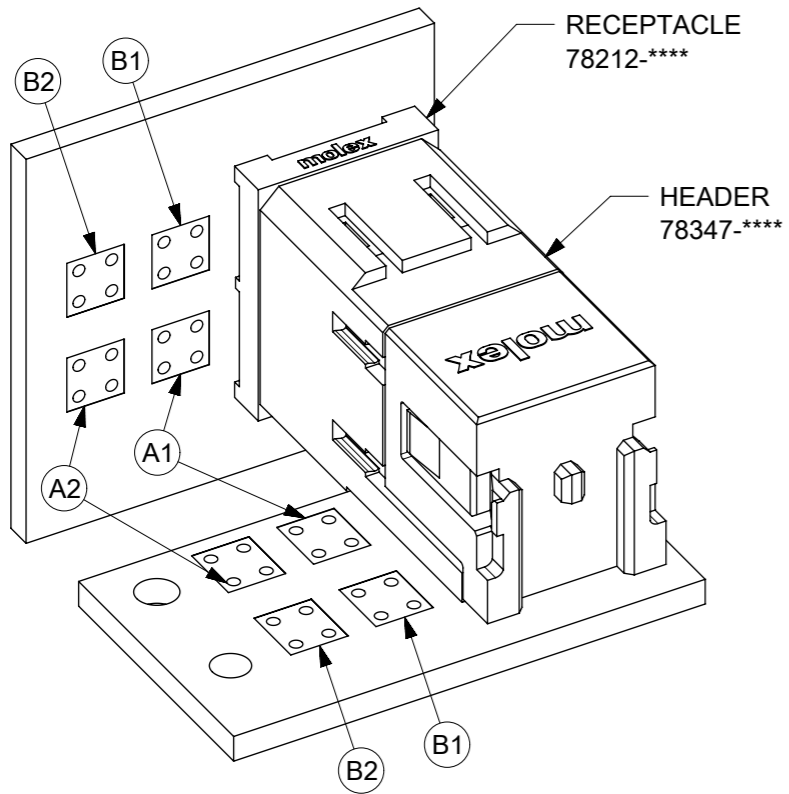


PIN NUMBER ASSIGNMENT BASED ON HEADER SIDE:  
A1, B1 ON THE LEFT,  
A2, B2 ON THE RIGHT.

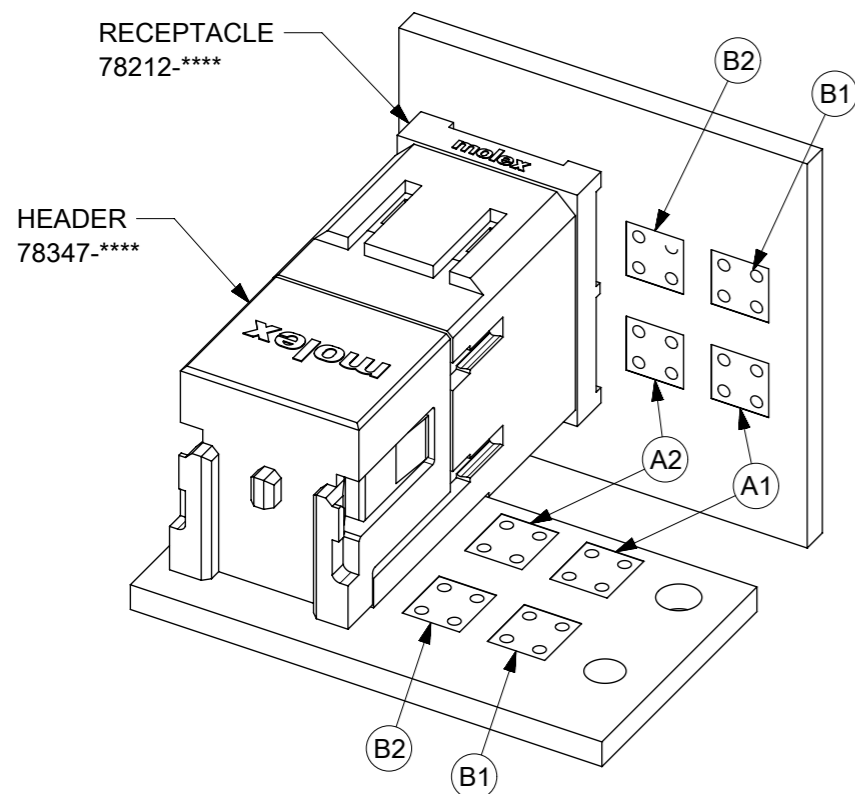


MATED SYSTEM OF 78347 & 78348

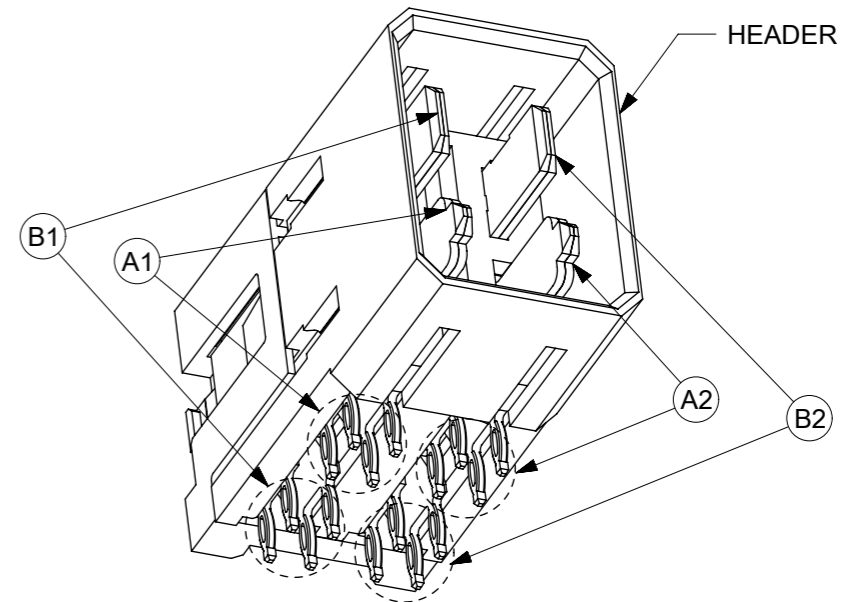
THIS DRAWING CONTAINS INFORMATION THAT IS PROPRIETARY TO MOLEX ELECTRONIC TECHNOLOGIES, LLC AND SHOULD NOT BE USED WITHOUT WRITTEN PERMISSION													
DIMENSION UNITS		SCALE		CURRENT REV DESC: MIGRATED TO NX									
mm		NTS											
GENERAL TOLERANCES (UNLESS SPECIFIED)				EC NO: 612508									
ANGULAR TOL ± 3.0 °				DRWN: PSHANKARACHA 2019/01/17				IMPACT POWER, 3 PAIR					
4 PLACES ±				CHK'D: ABN 2019/03/12				R/A HEADER W/HOLD DOWN PRESS-FIT					
3 PLACES ±				APPR: CWANG25 2019/03/13				PRODUCT CUSTOMER DRAWING					
2 PLACES ± 0.25				INITIAL REVISION:				DOCUMENT NUMBER		DOC TYPE		DOC PART	
1 PLACE ±				DRWN: LNG 2010/08/11				SD-78347-001		PSD		001	
0 PLACES ±				APPR: SHONG 2011/02/08								B8	
DRAFT WHERE APPLICABLE MUST REMAIN WITHIN DIMENSIONS				THIRD ANGLE PROJECTION		DRAWING		SERIES		MATERIAL NUMBER		CUSTOMER	
						A3-SIZE		78347		SEE TABLE		GENERAL MARKET	
SHEET NUMBER				4 OF 5									



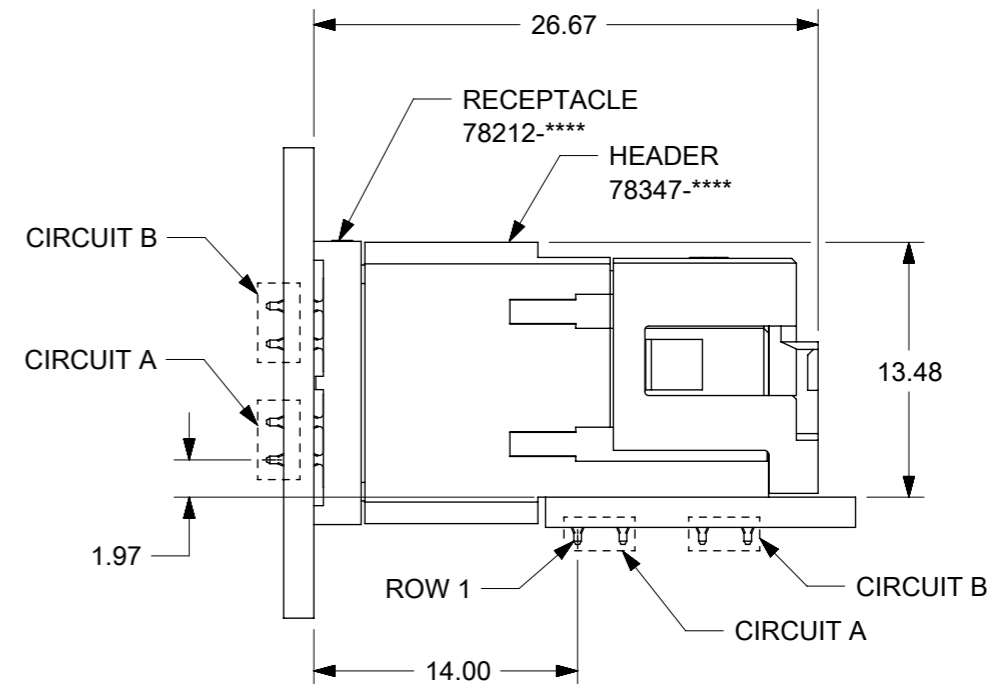
RIGHT HOLD DOWN:  
1 POWER MODULE AND HOLD DOWN REMOVED TO  
ILLUSTRATE CIRCUIT PATH OF MATED SYSTEM



LEFT HOLD DOWN:  
1 POWER MODULE AND HOLD DOWN REMOVED TO  
ILLUSTRATE CIRCUIT PATH OF MATED SYSTEM



PIN NUMBER ASSIGNMENT BASED ON HEADER SIDE:  
A1, B1 ON THE LEFT,  
A2, B2 ON THE RIGHT.



MATED SYSTEM OF 78347 & 78212

THIS DRAWING CONTAINS INFORMATION THAT IS PROPRIETARY TO MOLEX ELECTRONIC TECHNOLOGIES, LLC AND SHOULD NOT BE USED WITHOUT WRITTEN PERMISSION		CURRENT REV DESC: MIGRATED TO NX		<b>molex</b>	
DIMENSION UNITS	SCALE				
mm	NTS			IMPACT POWER, 3 PAIR R/A HEADER W/HOLD DOWN PRESS-FIT	
GENERAL TOLERANCES (UNLESS SPECIFIED)		EC NO: 612508		PRODUCT CUSTOMER DRAWING	
ANGULAR TOL	± 3.0 °	DRWN: PSHANKARACHA	2019/01/17	DOCUMENT NUMBER	DOC TYPE DOC PART REVISION
4 PLACES	±	CHK'D: ABN	2019/03/12	SD-78347-001	PSD 001 B8
3 PLACES	±	APPR: CWANG25	2019/03/13		
2 PLACES	± 0.25	INITIAL REVISION:		MATERIAL NUMBER CUSTOMER SHEET NUMBER	
1 PLACE	±	DRWN: LNG	2010/08/11	SEE TABLE	GENERAL MARKET
0 PLACES	±	APPR: SHONG	2011/02/08		5 OF 5
DRAFT WHERE APPLICABLE MUST REMAIN WITHIN DIMENSIONS		THIRD ANGLE PROJECTION	DRAWING	SERIES	
			A3-SIZE	78347	

## X-ON Electronics

Largest Supplier of Electrical and Electronic Components

*Click to view similar products for [High Speed/Modular Connectors](#) category:*

*Click to view products by [Molex](#) manufacturer:*

Other Similar products are found below :

[2332816-1](#) [89006-1137LF](#) [650827-1](#) [65762-001LF](#) [73474-201LF](#) [74040-1346](#) [74075-0267](#) [88911-201LF](#) [1410191-1](#) [1410337-1](#) [1410368-3](#)  
[1410964-2](#) [1410367-3](#) [1410971-4](#) [1467833-1](#) [2000877-1](#) [2000878-1](#) [2041314-1](#) [2065387-1](#) [2187307-1](#) [2187462-1](#) [2226278-6](#) [KA81-07](#)  
[91290-101LF](#) [1934290-1](#) [2000875-1](#) [2065917-1](#) [2102736-2](#) [FSR-40](#) [2169868-2](#) [2226279-2](#) [22354-8](#) [437-5040-000](#) [5-1393565-0](#) [532449-3](#)  
[532803-2](#) [34745-0001](#) [0760151403](#) [0736440217](#) [0758324203](#) [10131766-301LF](#) [1-1393708-5](#) [72388-0021LF](#) [73774-1000](#) [740401386](#)  
[532939-1](#) [5-531355-3](#) [5532901-3](#) [85838-180LF](#) [HM1S43TRR460H6PLF](#)