

HEADER WITH LEFT HOLD DOWN (FIGURE 1)				
PART NUMBER	NUMBER OF POWER MODULES	"DIM A"	PLATING OPTION	LEFT HOLD DOWN MODULE LOCATION
78347-100*	1X	15.00	TIN	REFER TO SHEET 2 FOR DETAILS
78347-10**	2X	26.40		

HEADER WITH RIGHT HOLD DOWN (FIGURE 2)				
PART NUMBER	NUMBER OF POWER MODULES	"DIM A"	PLATING OPTION	RIGHT HOLD DOWN MODULE LOCATION
78347-200*	1X	15.00	TIN	REFER TO SHEET 2 FOR DETAILS
78347-20**	2X	26.40		

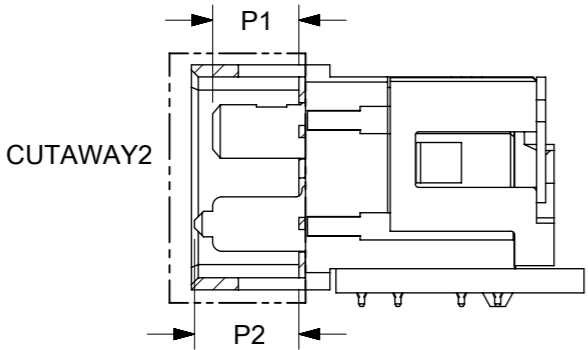


FIGURE 3: BLADE P1 AND P2 LOCATION

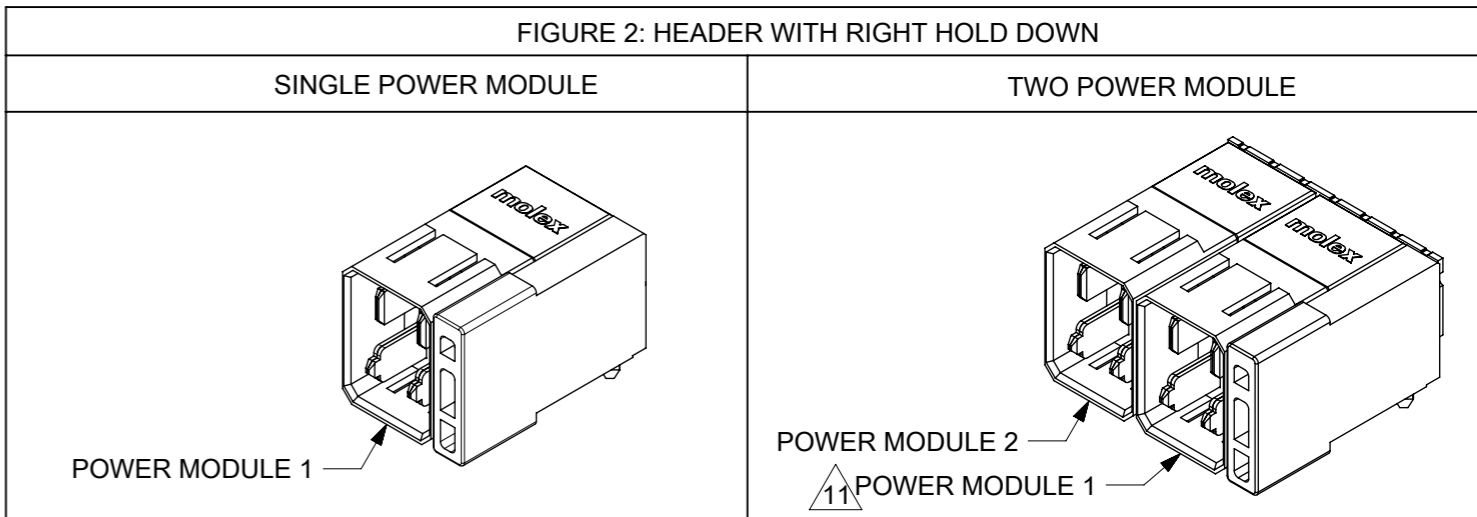
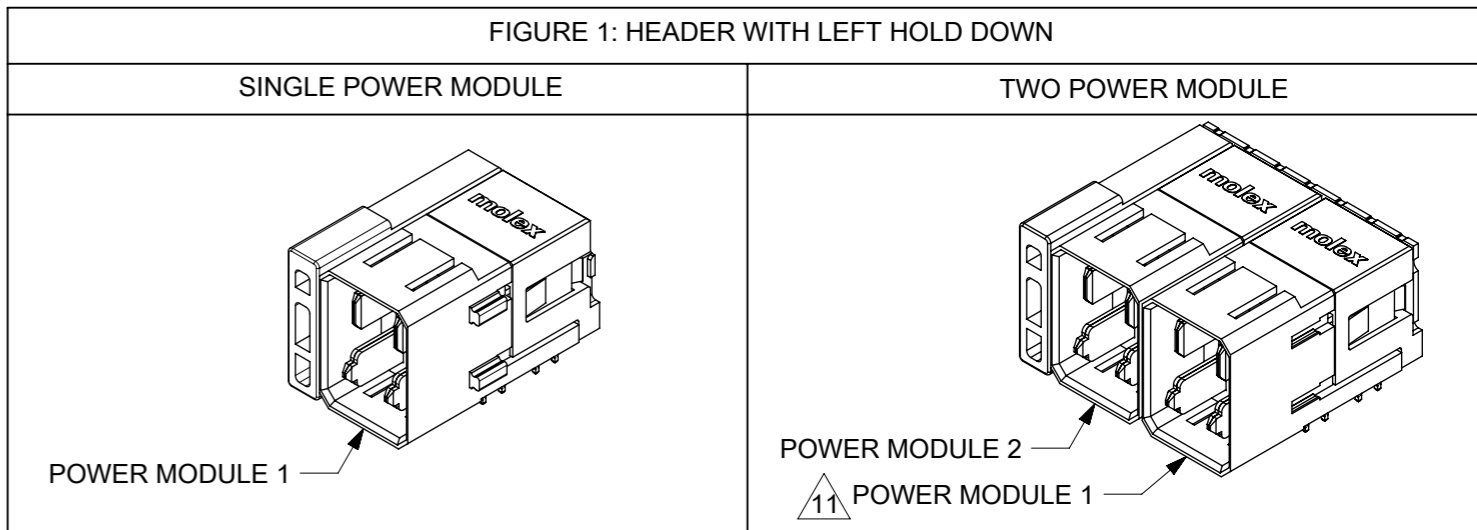
- NOTES:
- MATERIALS:
HOUSING - LCP, GLASS FILLED, UL 94-V0, BLACK.
POWER PIN - COPPER ALLOY.
 - FINISHES:
0.76µm MINIMUM GOLD AT CONTACT AREA AND
2.54µm MINIMUM TIN AT SOLDER TAIL AREA OVER
1.27µm MINIMUM NICKEL UNDERPLATE.
 - PRODUCT SPECIFICATION: PS-78213-001.
 - PACKAGING SPECIFICATION:
PK-78347-001 (1X MODULE WITH HOLD DOWN MODULE)
PK-78347-002 (2X MODULE WITH HOLD DOWN MODULE)
 - REFER TO MOLEX PRODUCT SPECIFICATION PS-78213-001 FOR PLATED THROUGH-HOLE SPECIFICATIONS AND TORQUE FORCE.
 - MATES WITH 78212-**** or 78348-****.
 - PART NUMBER AND YEAR-DAY CODE CAN BE AT THE OPPOSITE SIDE.
 - ADD 11.40mm FOR EACH ADDITIONAL POWER MODULE.
 - THE DETAILS FOR LEFT & RIGHT HOLD DOWN OPTION ARE SHOWN IN SHEET 2, 3 AND SHEET 4 RESPECTIVELY.
 - CONNECTORS ARE PACKED IN A TRAY.
 - FIRST POWER MODULE (#1) STARTS FROM THE RIGHT.
 - REFER TO SD-78211-002 FOR DETAILS OF THE POWER MODULE.
 - ALL PARTS ARE SHIPPED WITH A 2-32 TYPE AB SELF-TAPPING SCREW PART NUMBER 73726-0000.
 - COMPONENT STAY AWAY ZONE FROM CONNECTOR.

DOCUMENT STATUS	P1	RELEASE DATE	2019/03/13	10:32:46
-----------------	----	--------------	------------	----------

PLATING OPTION	HOLD DOWN MODULE LOCATION	*
TIN	LEFT	1
	RIGHT	2

POWER MODULE 2		
*	BLADE LENGTH	
	P1	P2
0	MODULE NOT PRESENT	
1	6.90	6.90
2	5.70	5.70
3	6.90	5.70
4	5.70	6.90

POWER MODULE 1		
*	BLADE LENGTH	
	P1	P2
1	6.90	6.90
2	5.70	5.70
3	6.90	5.70
4	5.70	6.90



THIS DRAWING CONTAINS INFORMATION THAT IS PROPRIETARY TO MOLEX ELECTRONIC TECHNOLOGIES, LLC AND SHOULD NOT BE USED WITHOUT WRITTEN PERMISSION

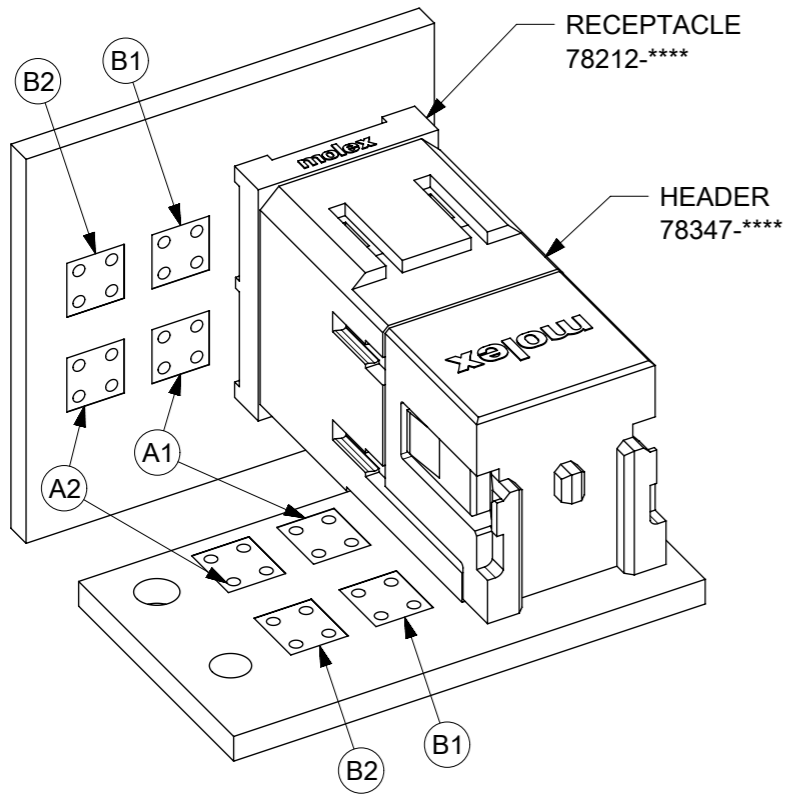
DIMENSION UNITS	SCALE	CURRENT REV DESC: MIGRATED TO NX	
mm	NTS		
GENERAL TOLERANCES (UNLESS SPECIFIED)			
ANGULAR TOL	± 3.0°	EC NO: 612508	
4 PLACES	±	DRWN: PSHANKARACHA	2019/01/17
3 PLACES	±	CHK'D: ABN	2019/03/12
2 PLACES	± 0.25	APPR: CWANG25	2019/03/13
1 PLACE	±	INITIAL REVISION:	
0 PLACES	±	DRWN: LNG	2010/08/11
DRAFT WHERE APPLICABLE MUST REMAIN WITHIN DIMENSIONS		APPR: SHONG	2011/02/08
THIRD ANGLE PROJECTION	DRAWING	SERIES	MATERIAL NUMBER
	A3-SIZE	78347	SEE TABLE
CUSTOMER		DOC TYPE	DOC PART
GENERAL MARKET		PSD	001
SHEET NUMBER		REVISION	
1 OF 5		B8	

molex

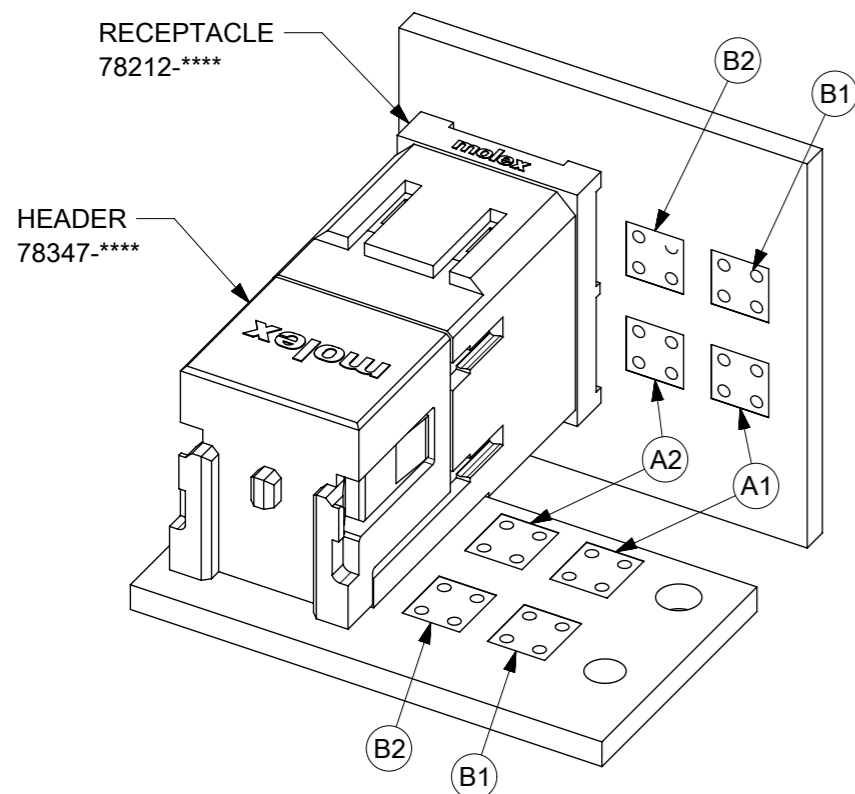
IMPACT POWER, 3 PAIR
R/A HEADER W/HOLD DOWN PRESS-FIT

PRODUCT CUSTOMER DRAWING

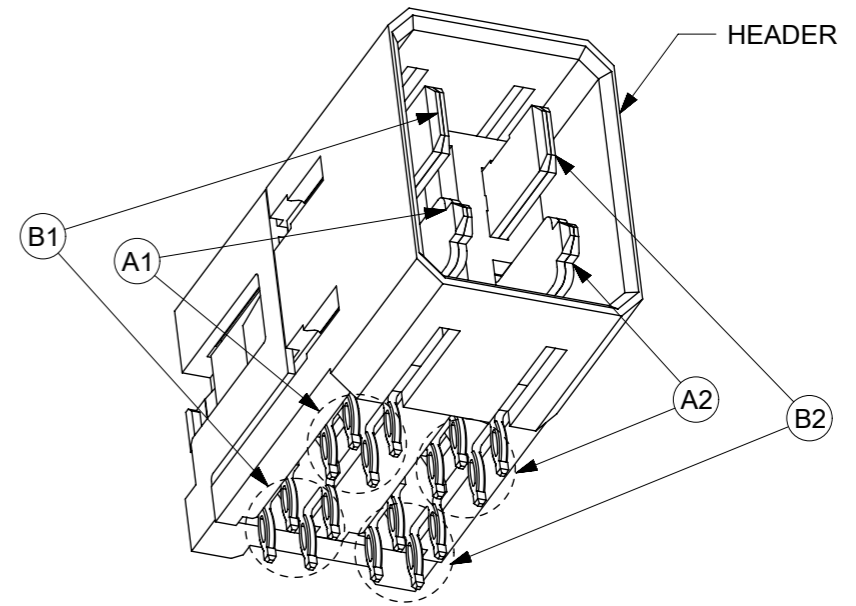
DOCUMENT NUMBER: SD-78347-001



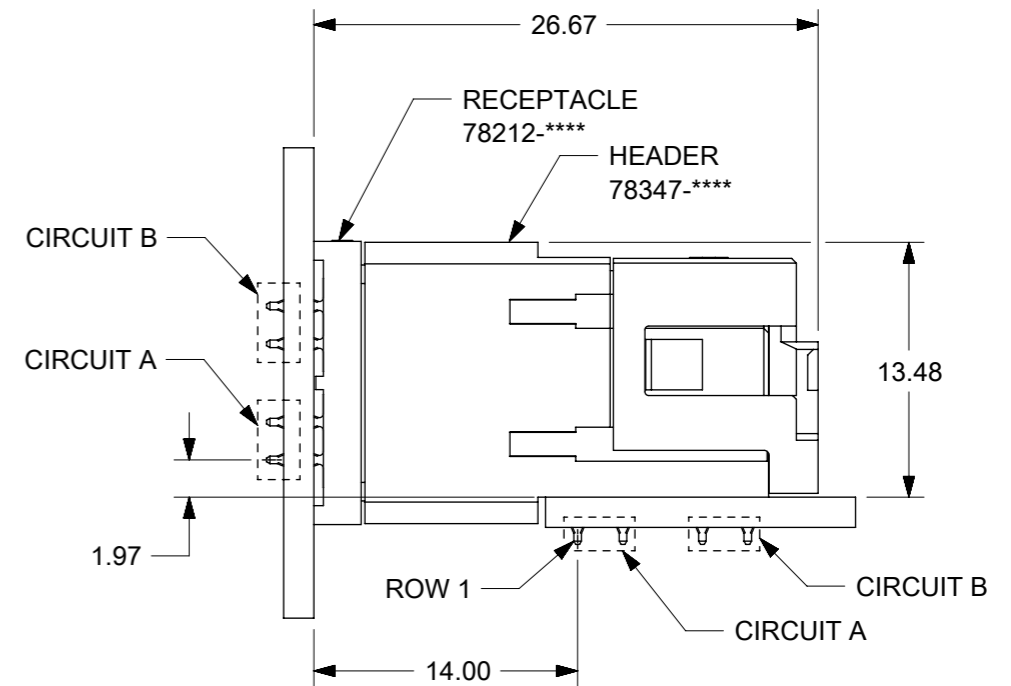
RIGHT HOLD DOWN:
1 POWER MODULE AND HOLD DOWN REMOVED TO
ILLUSTRATE CIRCUIT PATH OF MATED SYSTEM



LEFT HOLD DOWN:
1 POWER MODULE AND HOLD DOWN REMOVED TO
ILLUSTRATE CIRCUIT PATH OF MATED SYSTEM



PIN NUMBER ASSIGNMENT BASED ON HEADER SIDE:
A1, B1 ON THE LEFT,
A2, B2 ON THE RIGHT.



MATED SYSTEM OF 78347 & 78212

THIS DRAWING CONTAINS INFORMATION THAT IS PROPRIETARY TO MOLEX ELECTRONIC TECHNOLOGIES, LLC AND SHOULD NOT BE USED WITHOUT WRITTEN PERMISSION		CURRENT REV DESC: MIGRATED TO NX		molex	
DIMENSION UNITS	SCALE				
mm	NTS			PRODUCT CUSTOMER DRAWING	
GENERAL TOLERANCES (UNLESS SPECIFIED)		EC NO: 612508		DOCUMENT NUMBER	
ANGULAR TOL	± 3.0 °	DRWN: PSHANKARACHA 2019/01/17		SD-78347-001	
4 PLACES	±	CHK'D: ABN 2019/03/12		DOC TYPE DOC PART REVISION	
3 PLACES	±	APPR: CWANG25 2019/03/13		PSD 001 B8	
2 PLACES	± 0.25	INITIAL REVISION:		MATERIAL NUMBER	
1 PLACE	±	DRWN: LNG 2010/08/11		CUSTOMER	
0 PLACES	±	APPR: SHONG 2011/02/08		GENERAL MARKET	
DRAFT WHERE APPLICABLE MUST REMAIN WITHIN DIMENSIONS		THIRD ANGLE PROJECTION	DRAWING	SERIES	SHEET NUMBER
			A3-SIZE	78347	5 OF 5

X-ON Electronics

Largest Supplier of Electrical and Electronic Components

Click to view similar products for [High Speed/Modular Connectors](#) category:

Click to view products by [Molex](#) manufacturer:

Other Similar products are found below :

[650827-1](#) [74040-1346](#) [1410191-1](#) [1410337-1](#) [1410368-3](#) [1410964-2](#) [1410326-3](#) [1410367-3](#) [1410971-4](#) [1467833-1](#) [2000877-1](#) [2000878-1](#)
[2041314-1](#) [2065387-1](#) [2187307-1](#) [163P](#) [1934290-1](#) [2000875-1](#) [2065917-1](#) [2102736-2](#) [FSR-40](#) [2169868-2](#) [22354-8](#) [437-5040-000](#) [5-](#)
[1393565-0](#) [039-0246-000](#) [0740618502](#) [0761601016](#) [0784461022](#) [10123159-12ELF](#) [030-2415-003/100 PK](#) [030-7380-004](#) [030-2494-001](#)
[532939-1](#) [5532901-3](#) [3-1469268-7](#) [74748-102LF](#) [73670-0247](#) [10041743-101LF](#) [10066670-100002LF](#) [1-533915-1](#) [249-4515-000](#) [7-1469373-](#)
[3](#) [DL2-2J/S](#) [2000713-8](#) [2000713-7](#) [10124313-101LF](#) [3011-21](#) [757105208](#) [EBTF-4-10-2.0-S-RA-1](#)