

**PLEASE CHECK WWW.MOLEX.COM FOR LATEST PART INFORMATION**

**Part Number:** [0784431001](#)  
**Status:** **Active**  
**Overview:** [DDR3 DIMM Sockets](#)  
**Description:** 1.00mm Pitch DDR3 DIMM Socket, Low LLCR, Press Fit, Vertical, with Pegs, Black Housing and Latches, 0.76µm Gold (Au) Plating, 3.30mm Solder Tail Length, 2.36mm PCB Thickness, 1.5V Center Voltage Key, 240 Circuits, Lead Free

**Documents:**

<a href="#">3D Model</a>	<a href="#">Application Specification AS-78294-001-001 (PDF)</a>
<a href="#">Drawing (PDF)</a>	<a href="#">Packaging Specification PK-78443-001-001 (PDF)</a>
<a href="#">3D Model (PDF)</a>	<a href="#">RoHS Certificate of Compliance (PDF)</a>
<a href="#">Product Specification PS-78443-001-001 (PDF)</a>	

**Agency Certification**

CSA	LR19980
UL	E29179

**Application tooling part link**

Application Tooling Part Link	62201-8656
Application Tooling Part Link	62202-3800

**General**

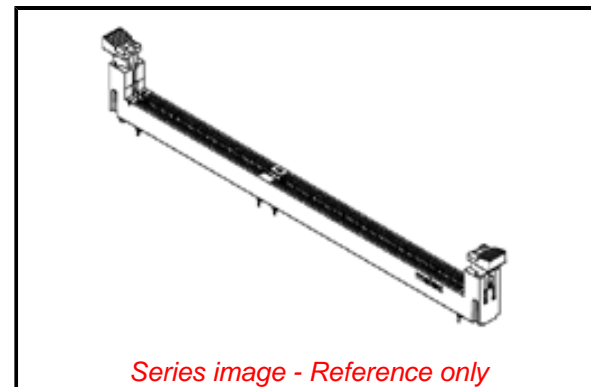
Product Family	Memory Module Sockets
Series	<a href="#">78443</a>
Component Type	Socket
JEDEC Outline	MO-269
Overview	<a href="#">DDR3 DIMM Sockets</a>
Product Name	DDR3 DIMM
UPC	884982216532

**Physical**

Circuits (Loaded)	240
Circuits (maximum)	240
Durability (mating cycles max)	25
Entry Angle	Vertical
Flammability	94V-0
Housing Color	Black
Keying to Mating Part	Yes
Latch Color	Black
Material - Metal	Phosphor Bronze
Material - Plating Mating	Gold
Material - Plating Termination	Tin
Material - Resin	High Temperature Thermoplastic
Net Weight	10.853/g
PC Tail Length	3.30mm
PCB Locator	Yes
PCB Retention	Yes
PCB Thickness - Recommended	3.60mm
Packaging Type	Tray
Pitch - Mating Interface	1.00mm
Pitch - Termination Interface	1.00mm
Plating min - Mating	0.762µm
Plating min - Termination	0.381µm
Temperature Range - Operating	-55° to +85°C
Termination Interface: Style	Through Hole - Compliant Pin

**Electrical**

Current - Maximum per Contact	1.0A
-------------------------------	------



*Series image - Reference only*

**EU ELV**

**Not Relevant**

**EU RoHS**

**Compliant**

**REACH SVHC**

Not Contained Per -  
D(2021)4569-DC (8  
July 2021)

**Halogen-Free**

**Status**

**Not Low-Halogen**

For more information, please visit [Contact US](#)

China ROHS

ELV

RoHS Phthalates

**China RoHS**

Green Image

Not Relevant

Not Contained

**Search Parts in this Series**

[78443 Series](#)

**Mates With**

JEDEC Standard 1.27mm Modules

**Application Tooling | FAQ**

*Tooling specifications and manuals are found by selecting the products below. Crimp Height Specifications are then contained in the Application Tooling Specification document.*

**Global**

**Description**

**Product #**

DDR3 DIMM

[622023800](#)

Memory Module

Extraction Tool

Voltage - Maximum	30V AC (RMS)/DC
Voltage Key	Center

**Solder Process Data**

Lead-free Process Capability	N/A
------------------------------	-----

**Material Info**

**Reference - Drawing Numbers**

Application Specification	AS-78294-001-001
Electrical Model Document	EE-78443-001-001, EE-78443-002-001
Packaging Specification	PK-78443-001-001
Product Specification	PS-78443-001-001
S-Parameter Model	SP-78443-001-001, SP-78443-002-001
Sales Drawing	SD-78443-001-001

This document was generated on 10/05/2021

**PLEASE CHECK [WWW.MOLEX.COM](http://WWW.MOLEX.COM) FOR LATEST PART INFORMATION**

## X-ON Electronics

Largest Supplier of Electrical and Electronic Components

*Click to view similar products for [DIMM Connectors](#) category:*

*Click to view products by [Molex](#) manufacturer:*

Other Similar products are found below :

[1-1932649-2](#) [1-1761024-0](#) [2309411-5](#) [10116658-252ASLF](#) [5390471-1](#) [2309413-3](#) [78507-0061](#) [KIT-SODIMM-1X16GB/01](#) [10129206-0010013LF](#) [10086891-052TSLF](#) [10079192-11102LF](#) [10116658-152FSLF](#) [10129206-0011113LF](#) [1-2308107-0](#) [2013310-1](#) [2013289-1](#) [390111-1](#) [390112-1](#) [2309413-1](#) [2309407-1](#) [2309414-1](#) [10081530-12208LF](#) [151080-0001](#) [78726-1004](#) [10005639-11107LF](#) [10005639-11109LF](#) [10005639-12207LF](#) [10023061-10207LF](#) [10033853-252FSLF](#) [10033853-052ASLF](#) [10033853-052FSLF](#) [10033853-152FSLF](#) [10033854-052FSLF](#) [10034542-10002LF](#) [10037402-12207LF](#) [10081530-11107LF](#) [10081530-12207LF](#) [10081530-12218LF](#) [10124632-0030001LF](#) [10124806-01006LF](#) [10145891-0320J13LF](#) [10145226-0241N13LF](#) [59354-052FSLF](#) [59355-052FSLF](#) [DDR4288S0211TF](#) [DDR4288S0511H](#) [DDR4288S0511TF](#) [DDR4288V0123TF](#) [DDR4288V0213TF](#) [DDR502112001K](#)