

**PLEASE CHECK WWW.MOLEX.COM FOR LATEST PART INFORMATION**

**Part Number:** [0788090001](#)

**Status:** **Active**

**Overview:** Serial Attached SCSI (SAS) Connectors

**Description:** 1.27mm Signal Pitch, 0.80mm Signal Pitch, 1.27mm Power Pitch SAS-3/PCIe-3 Receptacle, Right-Angle, Surface Mount, with Forklock, 0.93mm Height, 3.50mm Peg Length, 3.00mm PCB Thickness, 68 Circuits, Embossed Tape and Reel, Lead-Free

**Documents:**

[3D Model \(PDF\)](#)

[3D Model](#)

[Drawing \(PDF\)](#)

[Product Specification PS-78809-001-001 \(PDF\)](#)

[Application Specification AS-78809-001-001 \(PDF\)](#)

[Packaging Specification PK-78809-001-000 \(PDF\)](#)

[Test Summary TS-78809-001-001 \(PDF\)](#)

[RoHS Certificate of Compliance \(PDF\)](#)

**Agency Certification**

CSA LR19980

UL E29179

**General**

Product Family I/O Connectors

Series [78809](#)

Application Board-to-Board

Comments Without Cap

Component Type Receptacle

Electrical Model Yes

Overview Serial Attached SCSI (SAS) Connectors

Product Name SAS-3/PCIe-3, U.2 (SFF-8639)

Type N/A

UPC 887191701844

**Physical**

Circuits (Loaded) 68

Circuits Detail Signal 53, Power 15

Color - Resin Black

Durability (mating cycles max) 500

Flammability 94V-0

Gender Female

Keying to Mating Part Yes

Lock to Mating Part None

Material - Metal Copper Alloy

Material - Plating Mating Gold

Material - Plating Termination Tin

Material - Resin Liquid Crystal Polymer

Net Weight 2.371/g

Number of Rows 2

Orientation Right Angle

PCB Locator Yes

PCB Retention Yes

PCB Thickness - Recommended 3.00mm

Packaging Type Embossed Tape on Reel

Panel Mount No

Pitch - Mating Interface 0.80mm, 1.27mm

Pitch - Termination Interface 0.80mm, 1.27mm

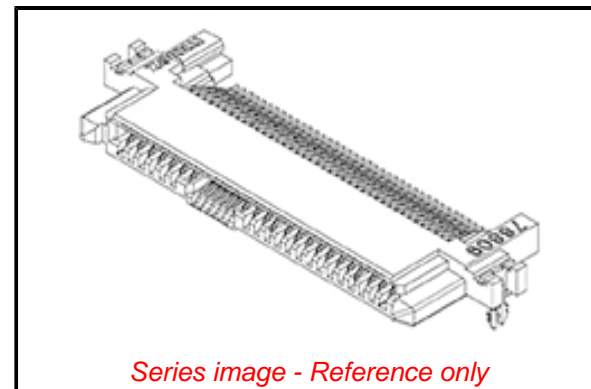
Plating min - Mating 0.762µm

Plating min - Termination 2.540µm

Polarized to Mating Part Yes

Polarized to PCB Yes

Surface Mount Compatible (SMC) Yes



*Series image - Reference only*

**EU ELV**

**Not Relevant**

**EU RoHS**

**Compliant**

**REACH SVHC**

Not Contained Per -  
D(2021)4569-DC (8  
July 2021)

**Halogen-Free**

**Status**

**Low-Halogen**

For more information, please visit [Contact US](#)

China ROHS

ELV

RoHS Phthalates

**China RoHS**

Green Image

Not Relevant

Not Contained

**Search Parts in this Series**

[78809 Series](#)

**Mates With**

U.2 (SFF-8639) Plugs|SFF-8482 and  
SFF-8680 Plugs|SAS / SATA Plugs

Temperature Range - Operating	0° to +55°C
Termination Interface: Style	Surface Mount

**Electrical**

Current - Maximum per Contact	1.5A
Voltage - Maximum	30V

**Solder Process Data**

Duration at Max. Process Temperature (seconds)	010
Lead-free Process Capability	REFLOW
Max. Cycles at Max. Process Temperature	001
Process Temperature max. C	260

**Material Info****Reference - Drawing Numbers**

Application Specification	AS-78809-001-001
Electrical Model Document	EE-78809-001-001
Packaging Specification	PK-78809-001-000
Product Specification	PS-78809-001-001
S-Parameter Model	SP-78809-001-001
Sales Drawing	SD-78809-001-001
Test Summary	TS-78809-001-001

This document was generated on 08/30/2021

**PLEASE CHECK [WWW.MOLEX.COM](http://WWW.MOLEX.COM) FOR LATEST PART INFORMATION**

## X-ON Electronics

Largest Supplier of Electrical and Electronic Components

*Click to view similar products for [I/O Connectors](#) category:*

*Click to view products by [Molex](#) manufacturer:*

Other Similar products are found below :

[571763P](#) [58098-0628](#) [72.250.1628.2](#) [72.250.2428.2](#) [74720-0505](#) [76.350.0729.0](#) [76871-1403](#) [FCN-244F080-G/1](#) [FCN-260A9920](#) [PCR-E36PM](#) [PCS-XE26MA+](#) [G38A71314B](#) [1571250010](#) [157-22500-3](#) [MS3471L14-19P L/C](#) [192991-0703](#) [172501-4002](#) [172501-6002](#) [FCN-260C008-A/L0](#) [FCN-260C024-AL0](#) [FCN-261Z008](#) [2000314-1](#) [200331-1](#) [PCR-E36FC+](#) [PCS-E28FS+](#) [PCS-XE26SLFD+](#) [PCS-XE26SLFDT+](#) [G730VID08BDC24](#) [U90B2054081210](#) [UE86K842720321](#) [38113800006](#) [DP3AR020WQ1R200](#) [Z4.102.0680.0](#) [500-1040](#) [500-1052](#) [500-1054](#) [ZP-4008-66L](#) [0709821002](#) [DX40-20P\(55\)](#) [5554841-1](#) [MS3474W18-8P-LC\\*](#) [U90B3054061110](#) [U65-E04-4020](#) [ZPF00000000097891](#) [747360449](#) [10099439-003C-TRLF](#) [10137239-0021LF](#) [E9320-001-01](#) [10137239-0011LF](#) [70289-001LF](#)