

PLEASE CHECK WWW.MOLEX.COM FOR LATEST PART INFORMATION

Part Number: [1200740140](#)
Status: **Active**
Overview: Brad Micro-Change (M12) Connectors
Description: Micro-Change (1/2" - 20 UNF) US Dual Keyway Receptacle, 4 Poles, 1/4" -18 NPT Mounting Threads, Male (Straight) to 22 AWG PVC Leads, 0.305m (1.0') Length

Documents:

[Drawing \(PDF\)](#) [RoHS Certificate of Compliance \(PDF\)](#)

Agency Certification

CSA LR6837
 UL E152210

General

Product Family Industrial Receptacles
 Series [120074](#)
 IP Rating IP67
 NEMA Rating NEMA 6
 Overview [Brad Micro-Change \(M12\) Connectors](#)
 Product Name Micro-Change (1/2" - 20 UNF)
 Type Single Ended (pigtail)
 UPC 78678822686

Physical

Coupling Type External Thread
 Gender Male
 Keyway Dual
 Length 0.305m
 Material - Component Gray Anodized Aluminum
 Mounting Thread Size 1/4" - 18 NPT
 Net Weight 256.000/g
 Orientation Straight
 Panel Mount Front
 Poles 4
 Temperature Range - Operating -20°C to +80°C
 Wire Size AWG 22
 Wire/Cable Type Leads, UL 1061

Electrical

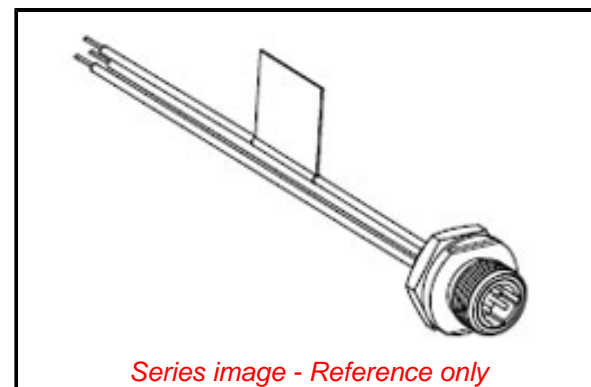
Current - Maximum per Contact 4.0A
 Voltage - Maximum 250V AC/DC

Material Info

Engineering Number 7R4A06A19A120

Reference - Drawing Numbers

Sales Drawing 1200740030-000, SD-120074-030



Series image - Reference only

EU ELV

Not Relevant

EU RoHS

Compliant with Exemption 6(b)-II,6(c)

REACH SVHC

Not Reviewed

Halogen-Free

Status

Not Low-Halogen

For more information, please visit [Contact US](#)

China ROHS

ELV

RoHS Phthalates

China RoHS

50 Image

Not Relevant

Not Contained

Search Parts in this Series

[120074 Series](#)

X-ON Electronics

Largest Supplier of Electrical and Electronic Components

Click to view similar products for [Specialised Cables category](#):

Click to view products by [Molex manufacturer](#):

Other Similar products are found below :

[GP-IE515546DS-002](#) [7810SB-010-1000](#) [96CB-L2020PIB2](#) [1200740161](#) [R88ACAKA0015SRE](#) [R88ACAWL005SDE](#) [1300660042](#)
[1300660201](#) [1971465-2](#) [22733-8](#) [2R7004A20F060](#) [SSL009PC2DC012N](#) [FC2A-KC6C](#) [CCSFCBF2](#) [R7ACAB005S](#) [XS2WM12PUR4SA10M](#)
[XS2WM12PVC4SA10M](#) [05AU05](#) [UCABLE](#) [10114734-2010LF](#) [XW2Z010H3](#) [XW2Z010H1](#) [5-1589827-8](#) [5-1589827-4](#) [861084-1](#)
[XW2Z200JB24](#) [5-1589956-8](#) [CR4000A76M020](#) [1201140211](#) [1300140039](#) [CR4000A76M005](#) [CR4006A76M005](#) [10077488-N0550FDLF](#)
[XW2ZRY150C](#) [I4JPBJLUXX100](#) [I4JPBJLUXX50](#) [CM06](#) [CM06W](#) [POE004](#) [0243 009 05](#) [0243 009 20](#) [0243 009 36](#) [0243 009 26](#) [0243 009](#)
[33](#) [0243 009 23](#) [0243 009 01](#) [0243 009 30](#) [0243 008 05](#) [0243 008 20](#) [0243 008 36](#)