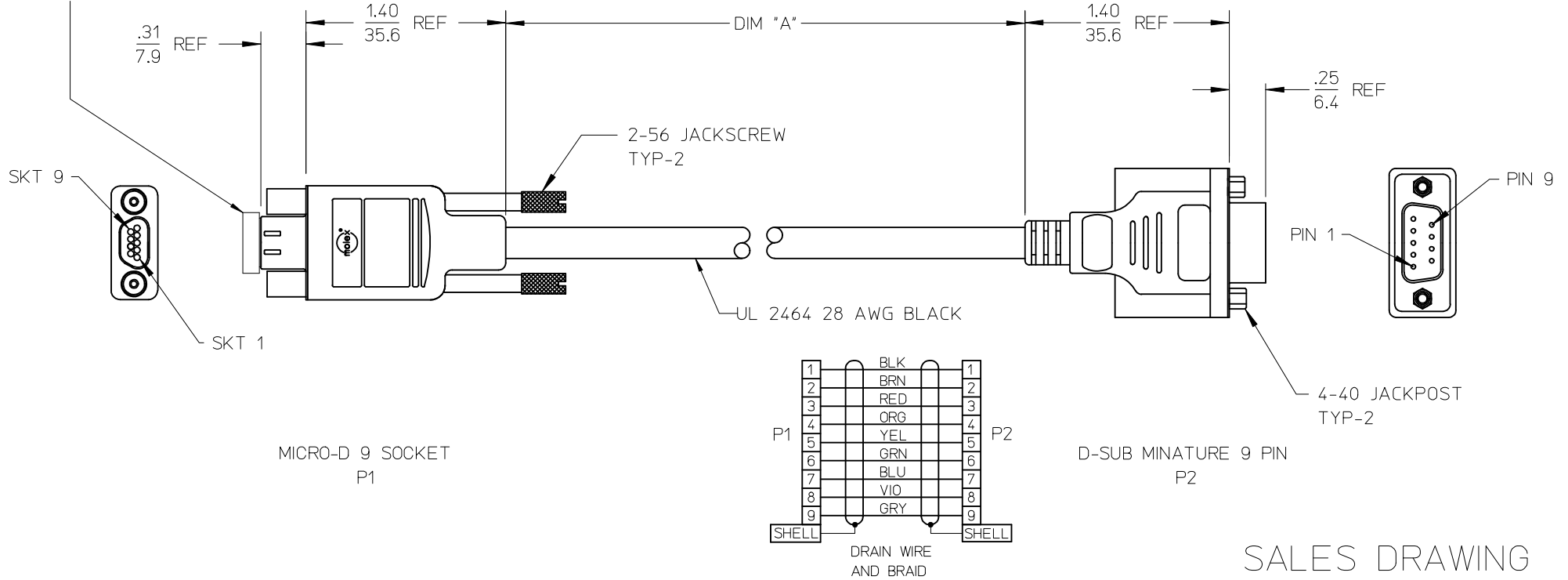


| MATERIAL NO. | ENGINEERING NO. | DIM "A" INCH | DIM "A" (mm) |
|--------------|-----------------|-------------------|---------------------|
| 834219207 | 83421-9207 | 18.00 +.50 / -0.0 | 457.2 +12.7 / -0.0 |
| 834219208 | 83421-9208 | 36.00 +.50 / -0.0 | 914.4 +12.7 / -0.0 |
| 834219209 | 83421-9209 | 72.00 +.50 / -0.0 | 1828.8 +12.7 / -0.0 |

SHIPPING PLUG
DISCARD PRIOR TO CONNECTION
(NOT SHOWN IN SIDE VIEW)



SALES DRAWING

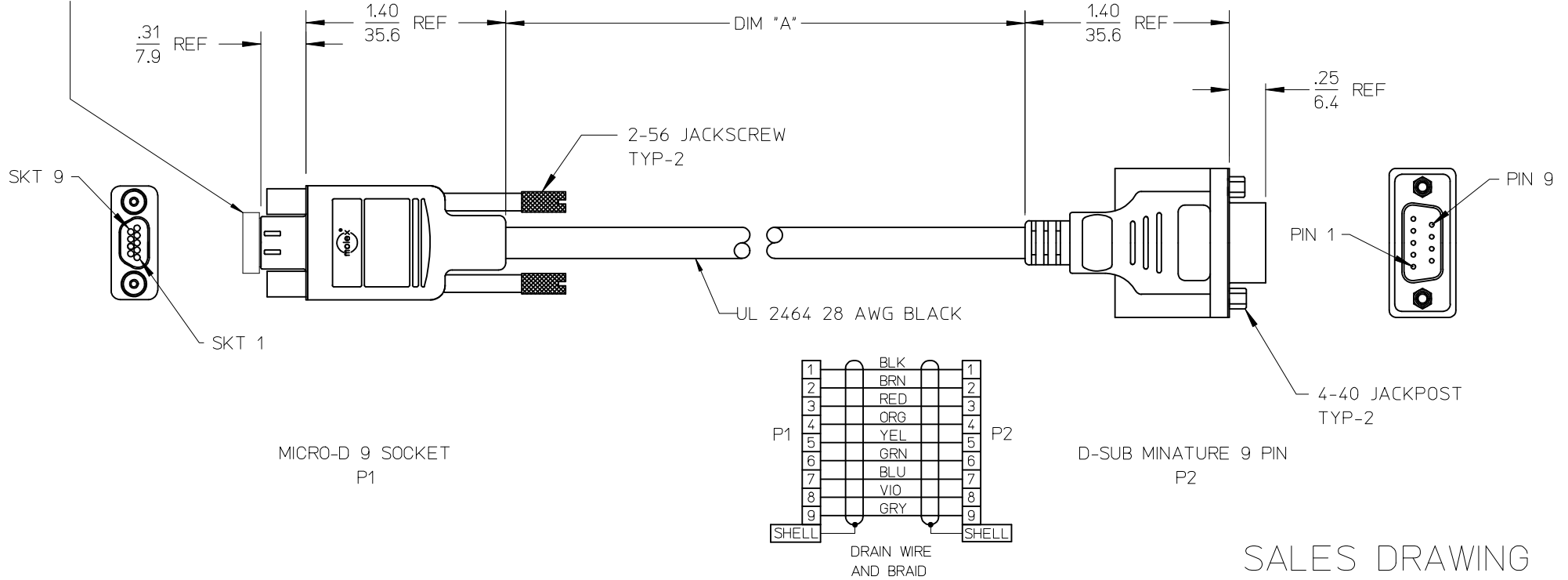
NOTES:

- 1) REFER TO PS-83421-001 FOR PRODUCT SPEC.
- 2) ROHS COMPLIANT

| UPDATED DOC EC NO: IPG2015-1021 DRAWN: GUSTAFSON 2014/11/26 CHKD: BRUPERT 2015/01/21 APPR: BWOODMAN 2015/01/07 | QUALITY SYMBOLS ▽=0 ▽=0 | GENERAL TOLERANCES (UNLESS SPECIFIED) <table border="1"> <thead> <tr> <th></th> <th>mm</th> <th>INCH</th> </tr> </thead> <tbody> <tr> <td>4 PLACES</td> <td>±---</td> <td>±---</td> </tr> <tr> <td>3 PLACES</td> <td>±---</td> <td>±---</td> </tr> <tr> <td>2 PLACES</td> <td>±---</td> <td>±---</td> </tr> <tr> <td>1 PLACE</td> <td>±---</td> <td>±---</td> </tr> </tbody> </table> ANGULAR ±---° | | mm | INCH | 4 PLACES | ±--- | ±--- | 3 PLACES | ±--- | ±--- | 2 PLACES | ±--- | ±--- | 1 PLACE | ±--- | ±--- | DIMENSION STYLE IN/MM | SCALE INCH | DESIGN UNITS INCH | THIRD ANGLE PROJECTION |
|--|-------------------------------|--|--|---------------------|---|----------|------|------|----------|------|------|----------|------|------|---------|------|------|--------------------------|---------------|----------------------|------------------------|
| | | mm | INCH | | | | | | | | | | | | | | | | | | |
| | 4 PLACES | ±--- | ±--- | | | | | | | | | | | | | | | | | | |
| | 3 PLACES | ±--- | ±--- | | | | | | | | | | | | | | | | | | |
| 2 PLACES | ±--- | ±--- | | | | | | | | | | | | | | | | | | | |
| 1 PLACE | ±--- | ±--- | | | | | | | | | | | | | | | | | | | |
| DRAFT WHERE APPLICABLE MUST REMAIN WITHIN DIMENSIONS | DRAWN BY TODD B | DATE 9-12-06 | TITLE 9 SKT COMM MICRO-D TO 9 PIN D-SUB W/JACKPOST CABLE ASSEMBLY | MOLEX INCORPORATED | | | | | | | | | | | | | | | | | |
| MATERIAL NO. SEE CHART | APPROVED BY J. MACNEIL | DATE 9-12-06 | DOCUMENT NO. SD-83421-015 | SHEET NO. 1 OF 1 | THIS DRAWING CONTAINS INFORMATION THAT IS PROPRIETARY TO MOLEX INCORPORATED AND SHOULD NOT BE USED WITHOUT WRITTEN PERMISSION | | | | | | | | | | | | | | | | |

| MATERIAL NO. | ENGINEERING NO. | DIM "A" INCH | DIM "A" (mm) |
|--------------|-----------------|-------------------|---------------------|
| 834219207 | 83421-9207 | 18.00 +.50 / -0.0 | 457.2 +12.7 / -0.0 |
| 834219208 | 83421-9208 | 36.00 +.50 / -0.0 | 914.4 +12.7 / -0.0 |
| 834219209 | 83421-9209 | 72.00 +.50 / -0.0 | 1828.8 +12.7 / -0.0 |

SHIPPING PLUG
DISCARD PRIOR TO CONNECTION
(NOT SHOWN IN SIDE VIEW)



MICRO-D 9 SOCKET
P1

| | | |
|-------|-----|-------|
| 1 | BLK | 1 |
| 2 | BRN | 2 |
| 3 | RED | 3 |
| 4 | ORG | 4 |
| 5 | YEL | 5 |
| 6 | GRN | 6 |
| 7 | BLU | 7 |
| 8 | VIO | 8 |
| 9 | GRY | 9 |
| SHELL | | SHELL |

DRAIN WIRE AND BRAID

D-SUB MINATURE 9 PIN
P2

SALES DRAWING

NOTES:

- 1) REFER TO PS-83421-001 FOR PRODUCT SPEC.
- 2) RoHS COMPLIANT

| | | | | | | |
|--|-----------------|--|-----------------|---|---|------------------------|
| UPDATED DOC EC NO: IPG2015-1021 DRAWN: GUSTAFSON 2014/11/26 CHKD: BRUPERT 2015/01/21 APPR: BWOODMAN 2015/01/07 | QUALITY SYMBOLS | GENERAL TOLERANCES (UNLESS SPECIFIED) | DIMENSION STYLE | SCALE | DESIGN UNITS | THIRD ANGLE PROJECTION |
| | ▼=0 ▽=0 | mm INCH 4 PLACES ± --- ± --- 3 PLACES ± --- ± --- 2 PLACES ± --- ± --- 1 PLACE ± --- ± --- ANGULAR ± ---° | IN/MM | | INCH | |
| | | DRAFT WHERE APPLICABLE MUST REMAIN WITHIN DIMENSIONS | DRAWN BY | DATE | TITLE | |
| | | | TODD B | 9-12-06 | 9 SKT COMM MICRO-D TO 9 PIN D-SUB W/JACKPOST CABLE ASSEMBLY | |
| | | | APPROVED BY | DATE | MOLEX INCORPORATED | |
| | | | J. MACNEIL | 9-12-06 | DOCUMENT NO. SD-83421-015 | |
| | | | MATERIAL NO. | SEE CHART | SHEET NO. 1 OF 1 | |
| | | | SIZE | THIS DRAWING CONTAINS INFORMATION THAT IS PROPRIETARY TO MOLEX INCORPORATED AND SHOULD NOT BE USED WITHOUT WRITTEN PERMISSION | | |
| | | | B | | | |

X-ON Electronics

Largest Supplier of Electrical and Electronic Components

Click to view similar products for [D-Sub Cables](#) category:

Click to view products by [Molex](#) manufacturer:

Other Similar products are found below :

[1200980218](#) [1200980067](#) [RB09P09P-006](#) [RB09P09P-012](#) [RB15P15P-006](#) [RB25P25P-006](#) [RB37P37P-024](#) [172-0906](#) [SHD15P15S-012](#)
[SHD15P15S-036](#) [SHD15P15S-060](#) [ACL-10137-2MM](#) [RB09P09P-024](#) [319285-3](#) [RS422-OM2](#) [SHD26P26S-060](#) [SHD44P44S-036](#) [73-](#)
[6210MM-6](#) [C200H-CN320-EU](#) [49725A 060S2](#) [73231-1321](#) [SDB-50AFFM-SL7A02](#) [49760A 060S2](#) [HDB-26AFFM-SL7A02](#) [30-9503P](#) [30-](#)
[9522P](#) [73-6220MM-6](#) [1200980058](#) [1200980066](#) [1200980078](#) [1200980052](#) [1200980093](#) [1200980028](#) [1200980021](#) [1200980127](#) [SDB-](#)
[09AFFM-SL7A02](#) [SDB-15AMMM-SL7A01](#) [BB-LDVYCBL](#) [83421-9286](#) [MLDM2L-21P-6K7-18B](#) [KSFD1](#) [MM-2J2-021-SS1-41WN](#) [HDB-](#)
[78AMMM-SL7A05](#) [SDB-37AMMM-SL7A03](#) [SDB-15AFFM-SL7A05](#) [ACC-500-163-R](#) [172-1910](#) [2900907/21.4](#) [VS-25-DSUB-20-LI-2,0](#)
[VS-25-DSUB-20-LI-5,0](#)