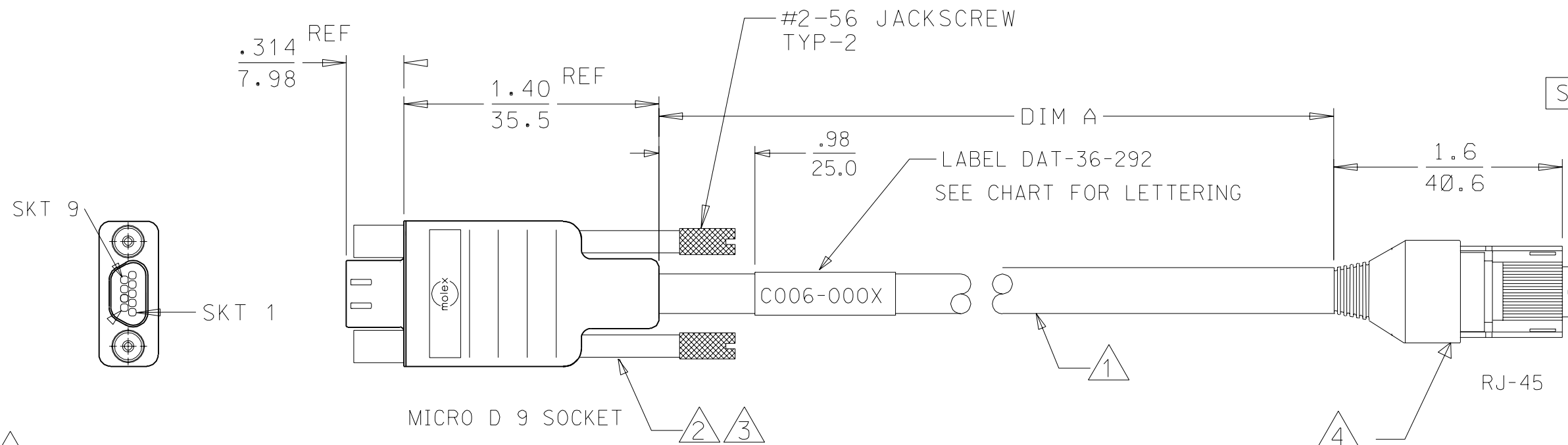
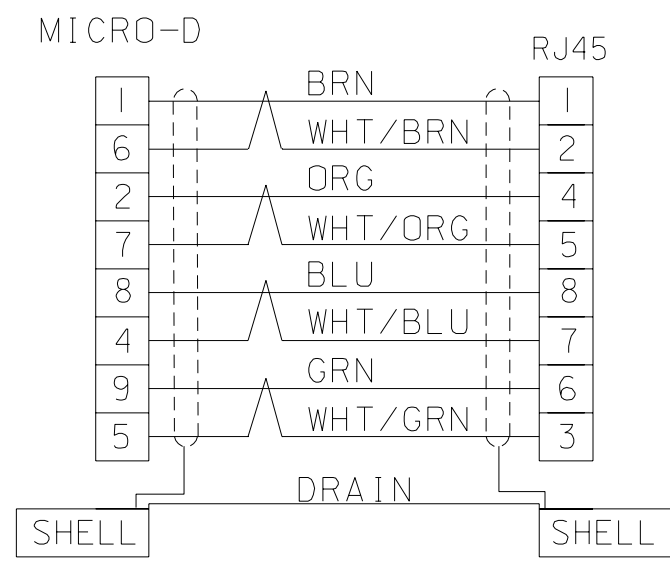


10	9	8	7	6
MATERIAL NO.	ENGINEERING NO.	DIM A	TOLERANCE	LABEL PRINT
834219224	83421-9224	4ft+/1200mm	+1.89-.945/+48-24mm	C006-0001
834219225	83421-9225	32.8ft+/10m	+4.0-2.5/+100-63.mm	C006-0002
834219226	83421-9226	9.85ft+/3m	+2.36-1.89/+60-48mm	C006-0003



- 4. MODULAR PLUG ASSEMBLY
SHIELDED RJ-45 8P8C
WITH 50 MICRO INCH GOLD PLATING
WITH S/R BOOT
- 3. REFER TO PS-83421-9000 FOR PRODUCT SPEC.
- 2. MICRO-D, 9 SOCKET FEMALE CONNECTOR (CRIMP TYPE)
CONTACTS: BRASS ALLOY, 30 MICRO INCH GOLD PLATED.
INSULATOR: PVC OVERMOLD, COLOR: BLACK.
WITH (2) #2-56 JACKSCREWS
- 1. CABLE: CAT 5E 26AWG 4 PAIR & DRAIN WIRE
8 CONDUCTOR, TINNED COPPER, 7 STRAND.
WIRE INSULATION: PVC
SHIELD: AL-FOIL/MYLAR. INCLUDING DRAIN WIRE & BRAID
OUTER CABLE JACKET: BLACK PVC.

NOTES: UNLESS OTHERWISE SPECIFIED.

RESTRICTED SALES DRAWING

CHNG TO SD IN MIDAS
EC NO. ETC2004-0077
DRWN: EMF 03/09/26
CHK: HEB 03/09/26
APPR: RSD 03/09/26

QUALITY SYMBOLS MAJOR = 0 CRITICAL = 0	GENERAL TOLERANCES: (UNLESS SPECIFIED)		SCALE NO:NE	DESIGN UNITS <input type="checkbox"/> mm <input checked="" type="checkbox"/> INCH	THIRD ANGLE PROJECTION	DIMENSIONS: <input type="checkbox"/> mm <input checked="" type="checkbox"/> INCH <input type="checkbox"/> mm ONLY	SHT	REV
	4 PLACES ±0.	±.	DRAWN BY & DATE JAL 03/04/07	TITLE: CABLE ASSEMBLY 9 SKT MICRO D TO 8 POS. MOD. PLUG ASSY W/OVERMOLD				
3 PLACES ±0.	±.005	CHECKED BY & DATE / /	APPROVED BY & DATE RWD 03/04/10				MOLEX INCORPORATED	
2 PLACES ±0.13	±.010	CAD FILENAME RSD-83421-024DGN	MATERIAL NO. SEE CHART	DRAWING NO. RSD-83421-024	SHEET NO. 1 OF 1		SIZE B	
1 PLACE ±0.25	±.	DRAFT WHERE APPLICABLE MUST REMAIN WITHIN DIMENSIONS						
THIS DRAWING CONTAINS INFORMATION THAT IS PROPRIETARY TO MOLEX INCORPORATED AND SHOULD NOT BE USED WITHOUT WRITTEN PERMISSION.								

X-ON Electronics

Largest Supplier of Electrical and Electronic Components

Click to view similar products for [D-Sub Cables](#) category:

Click to view products by [Molex](#) manufacturer:

Other Similar products are found below :

[1200980218](#) [1200980067](#) [RB09P09P-006](#) [RB09P09P-012](#) [RB15P15P-006](#) [RB25P25P-006](#) [RB25P25P-012](#) [RB37P37P-024](#) [172-0906](#)
[SHD15P15S-012](#) [SHD15P15S-036](#) [SHD15P15S-060](#) [ACL-10137-2MM](#) [RB09P09P-024](#) [319285-3](#) [RS422-OM2](#) [SHD26P26S-060](#)
[SHD44P44S-036](#) [73-6210MM-6](#) [C200H-CN320-EU](#) [49725A 060S2](#) [73231-1321](#) [SDB-50AFFM-SL7A02](#) [49760A 060S2](#) [HDB-26AFFM-](#)
[SL7A02](#) [30-9503P](#) [30-9522P](#) [73-6220MM-6](#) [1200980058](#) [1200980066](#) [1200980078](#) [1200980052](#) [1200980093](#) [1200980028](#) [1200980021](#)
[1200980127](#) [SDB-09AFFM-SL7A02](#) [SDB-15AMMM-SL7A01](#) [BB-LDVYCBL](#) [83421-9286](#) [MLDM2L-21P-6K7-18B](#) [KSFD1](#) [MM-2J2-021-](#)
[SS1-41WN](#) [HDB-78AMMM-SL7A05](#) [SDB-37AMMM-SL7A03](#) [SDB-15AFFM-SL7A05](#) [ACC-500-163-R](#) [172-1910](#) [2900907/21.4](#) [VS-25-](#)
[DSUB-20-LI-2,0](#)