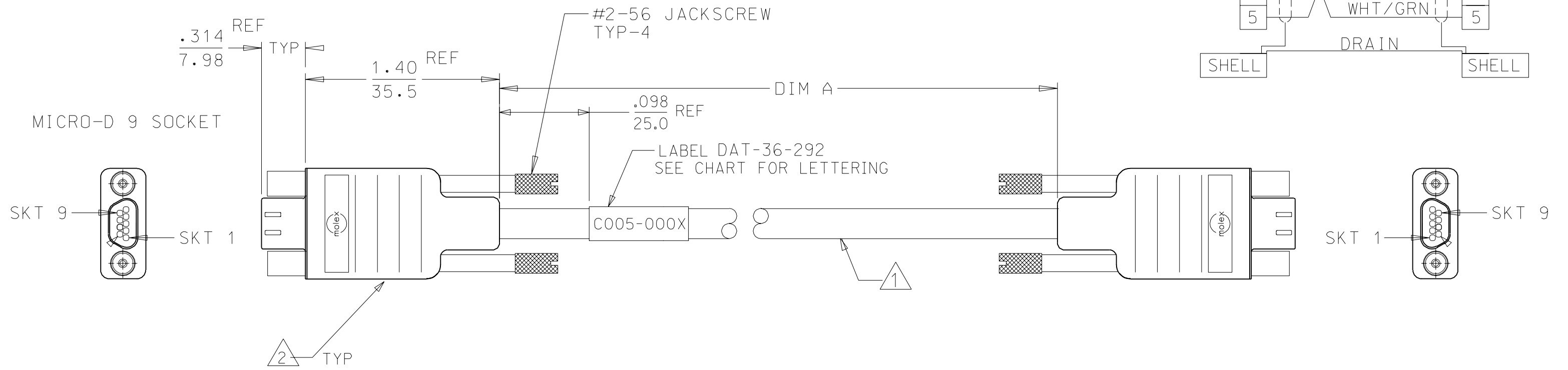
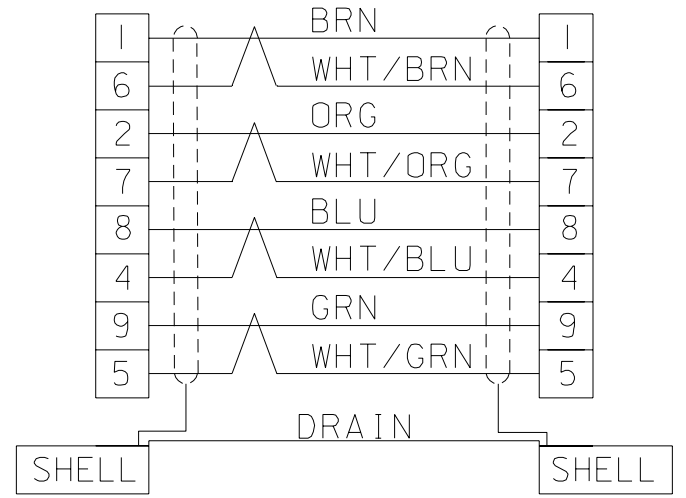


MATERIAL NO.	ENGINEERING NO.	DIM A	TOLERANCE	LABEL PRINT
834219221	83421-9221	.75ft+/200mm	+.315-.157/+8-4mm	C005-0001
834219222	83421-9222	4.00ft+/1200mm	+1.89-.945/+48-24mm	C005-0002
834219231	83421-9231	32.8ft+/10m	+4.0-2.5/+100-63mm	C005-0003
834219223	83421-9223	9.85ft+/3m	+2.36-1.89/+60-48mm	C005-0004



- 3. REFER TO PS-83421-9000 FOR PRODUCT SPEC.
- 2. MICRO-D, 9 SOCKET FEMALE CONNECTOR (CRIMP TYPE)
CONTACTS: 30 MICRO INCH GOLD PLATED
INSULATOR: PCV OVERMOLD, COLOR: BLACK
WITH (2) #2.56 JACKSCREWS

RESTRICTED SALES DRAWING

1. CABLE: CAT 5E, 26AWG, 4 PAIR & DRAIN WIRE
8 CONDUCTOR, TINNED COPPER, 7 STRAND.
WIRE INSULATION: PVC
SHIELD: AL-FOIL/MYLAR, INCLUDING DRAIN WIRE & BRAID
OUTER CABLE JACKET: BLACK PVC.

NOTES: UNLESS OTHERWISE SPECIFIED.

CHNG TO SD IN MIDAS EC NO. ETC2004-0077 DRWN: EMF 03/09/26 CHK: HEB 03/09/26 APPR: RSD 03/09/26	QUALITY SYMBOLS	GENERAL TOLERANCES: (UNLESS SPECIFIED)		SCALE NO:NE	DESIGN UNITS	THIRD ANGLE PROJECTION	DIMENSIONS:	SHT	REV
	MAJOR = 0	mm	INCH	NO:NE	mm	INCH	mm		
	CRITICAL = 0	4 PLACES ±0.	±.		mm	INCH	mm ONLY		
		3 PLACES ±0.	±.005						
	2 PLACES ±0.13	±.010							
	1 PLACE ±0.25	±.							
	ANGULAR: ±2 °								
	DRAFT WHERE APPLICABLE MUST REMAIN WITHIN DIMENSIONS			DRAWN BY & DATE JAL 03/04/07		TITLE: CABLE ASSEMBLY 9 SKT MICRO D TO 9 SKT MICRO D W/OVERMOLD			
				CHECKED BY & DATE / /		MOLEX INCORPORATED			
				APPROVED BY & DATE RWD 03/04/10		MATERIAL NO. SEE CHART		DRAWING NO. RSD-83421-023	
				CAD FILENAME RSD-83421-023.DGN		SHEET NO. 1 OF 1			
	THIS DRAWING CONTAINS INFORMATION THAT IS PROPRIETARY TO MOLEX INCORPORATED AND SHOULD NOT BE USED WITHOUT WRITTEN PERMISSION.								
	SIZE B								

X-ON Electronics

Largest Supplier of Electrical and Electronic Components

Click to view similar products for [D-Sub Cables](#) category:

Click to view products by [Molex](#) manufacturer:

Other Similar products are found below :

[1200980218](#) [1200980067](#) [RB09P09P-006](#) [RB09P09P-012](#) [RB15P15P-006](#) [RB25P25P-006](#) [RB37P37P-024](#) [172-0906](#) [SHD15P15S-012](#)
[SHD15P15S-036](#) [SHD15P15S-060](#) [ACL-10137-2MM](#) [RB09P09P-024](#) [319285-3](#) [RS422-OM2](#) [SHD26P26S-060](#) [SHD44P44S-036](#) [73-](#)
[6210MM-6](#) [C200H-CN320-EU](#) [49725A 060S2](#) [73231-1321](#) [SDB-50AFFM-SL7A02](#) [49760A 060S2](#) [HDB-26AFFM-SL7A02](#) [30-9503P](#) [30-](#)
[9522P](#) [73-6220MM-6](#) [1200980058](#) [1200980066](#) [1200980078](#) [1200980052](#) [1200980093](#) [1200980028](#) [1200980021](#) [1200980127](#) [SDB-](#)
[09AFFM-SL7A02](#) [SDB-15AMMM-SL7A01](#) [BB-LDVYCBL](#) [83421-9286](#) [MLDM2L-21P-6K7-18B](#) [KSFD1](#) [MM-2J2-021-SS1-41WN](#) [HDB-](#)
[78AMMM-SL7A05](#) [SDB-37AMMM-SL7A03](#) [SDB-15AFFM-SL7A05](#) [ACC-500-163-R](#) [172-1910](#) [2900907/21.4](#) [VS-25-DSUB-20-LI-2,0](#)
[VS-25-DSUB-20-LI-5,0](#)