

**PLEASE CHECK WWW.MOLEX.COM FOR LATEST PART INFORMATION**

**Part Number:** [0850400000](#)  
**Status:** **Active**  
**Overview:** [DIN 41612](#)  
**Description:** 2.54mm Pitch DIN 41612 Receptacle, Style B/2, 32 Circuits, Lead-Free

**Documents:**

[3D Model](#) [Product Specification PS-85042-001 \(PDF\)](#)  
[Drawing \(PDF\)](#) [RoHS Certificate of Compliance \(PDF\)](#)

**Agency Certification**

CSA LR19980  
 UL E29179

**General**

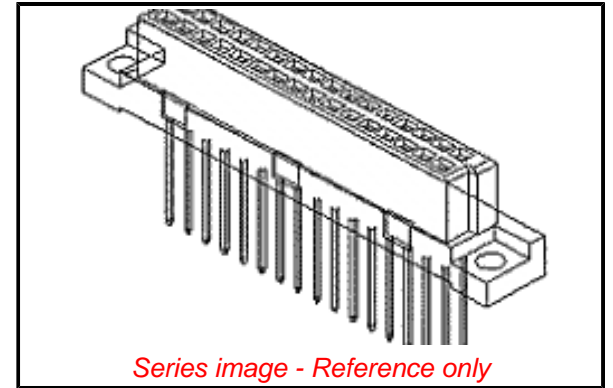
Product Family Backplane Connectors  
 Series [85040](#)  
 Application Daughtercard  
 Comments No Mounting Clips. No Flux Proof, No Mounting Clips.  
 No Flux Proof  
 Component Type PCB Receptacle  
 Overview [DIN 41612](#)  
 Product Name IEC 603-2/DIN 41612  
 Style B/2  
 UPC 800753856738

**Physical**

Circuits (Loaded) 32  
 Circuits (maximum) 32  
 Circuits Detail Standard Contacts at: A:a1-a16; B:b1-b16  
 Durability (mating cycles max) 400  
 First Mate / Last Break No  
 Flammability 94V-0  
 Guide to Mating Part No  
 Keying to Mating Part Yes  
 Material - Plating Mating Gold  
 Net Weight 5.072/g  
 Number of Columns 16  
 Number of Pairs Open Pin Field  
 Number of Rows 2  
 Orientation Vertical  
 PC Tail Length 4.50mm  
 PCB Locator No  
 PCB Retention Yes  
 PCB Thickness - Recommended 1.60mm, 4.00mm  
 Packaging Type Bag  
 Pitch - Mating Interface 2.54mm  
 Pitch - Termination Interface 2.54mm  
 Polarized to PCB Yes  
 Stackable No  
 Surface Mount Compatible (SMC) No  
 Temperature Range - Operating -55° to +125°C  
 Termination Interface: Style Through Hole

**Electrical**

Current - Maximum per Contact 1.0A  
 Data Rate 622.0 Mbps  
 Real Signals (per 25mm) 20



*Series image - Reference only*

**EU ELV**

**Not Relevant**

**EU RoHS**

**Compliant**

**REACH SVHC**

Not Contained Per -  
 ED/71/2019 (16 July  
 2019)

**Halogen-Free**

**Status**

**Not Low-Halogen**

For more information, please visit [Contact US](#)

China ROHS

ELV

RoHS Phthalates

Green Image

Not Relevant

Not Contained

**Search Parts in this Series**

[85040](#) Series

**Mates With**

DIN 41612 Headers [85001](#) , [85011](#)

Shielded  
Voltage - Maximum

No  
250V AC (RMS)

**Solder Process Data**

Lead-free Process Capability

N/A

**Material Info**

**Reference - Drawing Numbers**

Product Specification

PS-85042-001

Sales Drawing

SDA-85040-0000, SDA-85040-0002

This document was generated on 09/17/2019

**PLEASE CHECK [WWW.MOLEX.COM](http://WWW.MOLEX.COM) FOR LATEST PART INFORMATION**

## X-ON Electronics

Largest Supplier of Electrical and Electronic Components

*Click to view similar products for [DIN 41612 Connectors](#) category:*

*Click to view products by [Molex](#) manufacturer:*

Other Similar products are found below :

[004.767](#) [608489050008049](#) [691327-1](#) [74670-0732](#) [74680-0340](#) [75880-0015](#) [76453-0014](#) [86093159ALF](#) [9732967801](#) [QLC260R](#)  
[120X10019X](#) [120X10089X](#) [122A10249X](#) [122A10669X](#) [122A11089X](#) [122A13089X](#) [122A10089X](#) [122A10129X](#) [122A10349X](#)  
[122A13359X](#) [1377391-4](#) [DIN-048CPC-SR1-MH](#) [1393583-2](#) [1393726-7](#) [140X10129X](#) [143-1913-000](#) [143-1908-000](#) [1484472-1](#) [2110070-1](#)  
[2110070-2](#) [CBC20T00-008FDS5-0-1-002VR](#) [172699-5036](#) [2-1393557-4](#) [2-1437084-2](#) [394506](#) [419-2080-402](#) [V42254B2202C968](#) [419-2086-](#)  
[201](#) [419-2087-002](#) [448657-1](#) [448847-3](#) [5-1393755-9](#) [02990000004](#) [054302](#) [043556](#) [09062483201750](#) [0850033067](#) [09031646555](#)  
[09061486901840](#) [09185107324800](#)