

PLEASE CHECK WWW.MOLEX.COM FOR LATEST PART INFORMATION

Part Number: [0850400012](#)
Status: **Active**
Overview: [DIN 41612](#)
Description: 2.54mm Pitch DIN 41612 Receptacle, Style B/2, 32 Circuits, Lead-Free

Documents:

[3D Model](#) [Product Specification PS-85042-001 \(PDF\)](#)
[Drawing \(PDF\)](#) [RoHS Certificate of Compliance \(PDF\)](#)

Agency Certification

CSA LR19980
 UL E29179

General

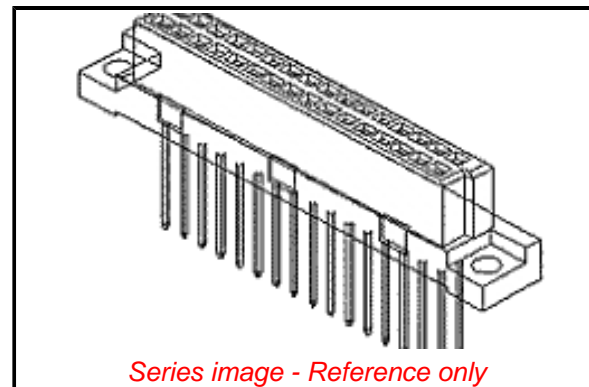
Product Family Backplane Connectors
 Series [85040](#)
 Application Daughtercard
 Comments No Mounting Clips. No Flux Proof, No Mounting Clips.
 No Flux Proof
 Component Type PCB Receptacle
 Overview [DIN 41612](#)
 Product Name IEC 603-2/DIN 41612
 Style B/2
 UPC 800753856745

Physical

Circuits (Loaded) 32
 Circuits (maximum) 32
 Circuits Detail Standard Contacts at: A:a1-a16; B:b1-b16
 Durability (mating cycles max) 400
 First Mate / Last Break No
 Flammability 94V-0
 Guide to Mating Part No
 Keying to Mating Part Yes
 Material - Plating Mating Gold
 Net Weight 4.986/g
 Number of Columns 16
 Number of Pairs Open Pin Field
 Number of Rows 2
 Orientation Vertical
 PC Tail Length 2.90mm
 PCB Locator No
 PCB Retention Yes
 PCB Thickness - Recommended 1.60mm, 4.00mm
 Packaging Type Bag
 Pitch - Mating Interface 2.54mm
 Pitch - Termination Interface 2.54mm
 Polarized to PCB Yes
 Stackable No
 Surface Mount Compatible (SMC) No
 Temperature Range - Operating -55° to +125°C
 Termination Interface: Style Through Hole

Electrical

Current - Maximum per Contact 1.0A
 Data Rate 622.0 Mbps
 Real Signals (per 25mm) 20



Series image - Reference only

EU ELV

Not Relevant

EU RoHS

Compliant

REACH SVHC

Not Contained Per -
 ED/71/2019 (16 July
 2019)

Halogen-Free

Status

Not Low-Halogen

For more information, please visit [Contact US](#)

China ROHS	Green Image
ELV	Not Relevant
RoHS Phthalates	Not Contained

Search Parts in this Series

[85040 Series](#)

Mates With

DIN 41612 Headers [85001](#) , [85011](#)

Shielded No
Voltage - Maximum 250V AC (RMS)

Solder Process Data

Lead-freeProcess Capability N/A

Material Info

Reference - Drawing Numbers

Product Specification PS-85042-001
Sales Drawing SDA-85040-0002, SDA-85040-0012

This document was generated on 09/17/2019

PLEASE CHECK WWW.MOLEX.COM FOR LATEST PART INFORMATION

X-ON Electronics

Largest Supplier of Electrical and Electronic Components

Click to view similar products for [DIN 41612 Connectors](#) category:

Click to view products by [Molex](#) manufacturer:

Other Similar products are found below :

[004.767](#) [608489050008049](#) [691327-1](#) [74670-0732](#) [74680-0340](#) [75880-0015](#) [76453-0014](#) [86093159ALF](#) [9732967801](#) [QLC260R](#)
[120X10019X](#) [120X10089X](#) [122A10249X](#) [122A10669X](#) [122A11089X](#) [122A13089X](#) [122A10089X](#) [122A10129X](#) [122A10349X](#)
[122A13359X](#) [1377391-4](#) [DIN-048CPC-SR1-MH](#) [1393583-2](#) [1393726-7](#) [140X10129X](#) [143-1913-000](#) [143-1908-000](#) [1484472-1](#) [2110070-1](#)
[2110070-2](#) [CBC20T00-008FDS5-0-1-002VR](#) [172699-5036](#) [2-1393557-4](#) [2-1437084-2](#) [394506](#) [419-2080-402](#) [V42254B2202C968](#) [419-2086-](#)
[201](#) [419-2087-002](#) [448657-1](#) [448847-3](#) [5-1393755-9](#) [02990000004](#) [054302](#) [043556](#) [09062483201750](#) [0850033067](#) [09031646555](#)
[09061486901840](#) [09185107324800](#)