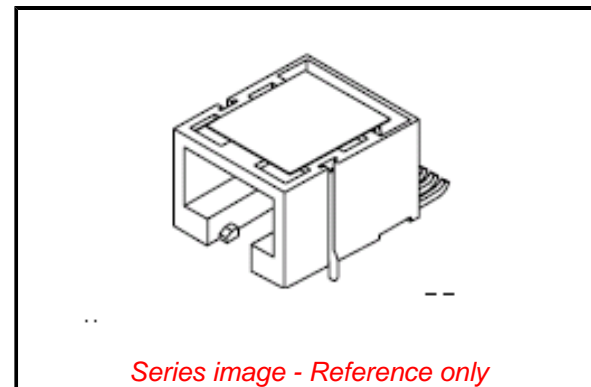


**PLEASE CHECK WWW.MOLEX.COM FOR LATEST PART INFORMATION**

**Part Number:** [0855025012](#)  
**Status:** **Active**  
**Overview:** [Magnetic and Modular Jacks/Plugs](#)  
**Description:** Modular Jack, Right-Angle, Surface Mount, 8/8, Low Profile, Pin-in-Hole-Reflow, Tape & Reel

**Documents:**

|                                                                  |                                                            |
|------------------------------------------------------------------|------------------------------------------------------------|
| <a href="#">3D Model</a>                                         | <a href="#">Packaging Specification PK-85502-001 (PDF)</a> |
| <a href="#">Drawing (PDF)</a>                                    | <a href="#">Datasheet (PDF)</a>                            |
| <a href="#">Product Specification PS-95501-001 (PDF)</a>         | <a href="#">RoHS Certificate of Compliance (PDF)</a>       |
| <a href="#">Application Specification AS-85513-001-001 (PDF)</a> |                                                            |



**Agency Certification**

UL E107635

**General**

|                           |                                                  |
|---------------------------|--------------------------------------------------|
| Product Family            | Modular Jacks/Plugs                              |
| Series                    | 85502                                            |
| Comments                  | Reflow capable                                   |
| Component Type            | PCB Jack                                         |
| Magnetic                  | No                                               |
| Overview                  | <a href="#">Magnetic and Modular Jacks/Plugs</a> |
| Performance Category      | 3                                                |
| Power over Ethernet (PoE) | N/A                                              |
| Product Name              | Modular Jack 8/8, RJ45                           |
| UPC                       | 822350901574                                     |

**Physical**

|                                |                                |
|--------------------------------|--------------------------------|
| Boot Color                     | N/A                            |
| Color - Resin                  | Black                          |
| Durability (mating cycles max) | 2500                           |
| Flammability                   | 94V-0                          |
| Inverted / Top Latch           | No                             |
| Jack Height                    | 11.50mm                        |
| Lightpipes/LEDs                | None                           |
| Material - Metal               | Copper Alloy                   |
| Material - Plating Mating      | Gold over Palladium Nickel     |
| Material - Plating Termination | Tin                            |
| Material - Resin               | High Temperature Thermoplastic |
| Net Weight                     | 2.367/g                        |
| Orientation                    | Right Angle (Side Entry)       |
| PCB Locator                    | Yes                            |
| PCB Retention                  | Yes                            |
| PCB Thickness - Recommended    | 1.57mm                         |
| Packaging Type                 | Embossed Tape on Reel          |
| Pitch - Mating Interface       | 1.02mm                         |
| Pitch - Termination Interface  | 1.27mm                         |
| Plating min - Mating           | 0.051µm, 0.600µm               |
| Plating min - Termination      | 1.905µm                        |
| Port Configuration             | 1x1                            |
| Positions / Loaded Contacts    | 8/8                            |
| Surface Mount Compatible (SMC) | Yes                            |
| Temperature Range - Operating  | -40° to +85°C                  |
| Termination Interface: Style   | Surface Mount                  |
| Waterproof / Dustproof         | No                             |
| Wire/Cable Type                | N/A                            |

**EU ELV**

**Not Relevant**

**EU RoHS**

**Compliant**

**REACH SVHC**

Not Contained Per -  
D(2020)9139-DC (19  
Jan 2021)

**Halogen-Free**

**Status**

**Low-Halogen**

For more information, please visit [Contact US](#)

China ROHS

ELV

RoHS Phthalates

**China RoHS**

Green Image

Not Relevant

Not Contained

**Search Parts in this Series**

[85502](#) Series

**Mates With**

[90075](#) Modular Plug

**Electrical**

|                               |         |
|-------------------------------|---------|
| Current - Maximum per Contact | 1.5A    |
| Shielded                      | No      |
| Voltage - Maximum             | 125V DC |

**Material Info****Reference - Drawing Numbers**

|                           |                  |
|---------------------------|------------------|
| Application Specification | AS-85513-001-001 |
| Packaging Specification   | PK-85502-001     |
| Product Specification     | PS-95501-001     |
| Sales Drawing             | SD-85502-103-001 |

This document was generated on 08/27/2021

**PLEASE CHECK [WWW.MOLEX.COM](http://WWW.MOLEX.COM) FOR LATEST PART INFORMATION**

## X-ON Electronics

Largest Supplier of Electrical and Electronic Components

*Click to view similar products for [Modular Connectors / Ethernet Connectors](#) category:*

*Click to view products by [Molex](#) manufacturer:*

Other Similar products are found below :

[8949-H88/06BLKA/SN](#) [74441-0010/BKN](#) [MP1010RX-1000](#) [MP44RX-1000](#) [PHP-6P6C-5](#) [GAX-3-66](#) [GAX-8-62](#) [GDCX-PA-66-50](#) [GDCX-PN-64](#) [GDCX-PN-66](#) [GDCX-PN-66-50](#) [GDLX-A-66](#) [GDLX-N-66](#) [GDLX-S-66](#) [GDLX-S-88K](#) [GDTX-S-88-50](#) [GDX-PA-1010](#) [GLX-N-1010M-BLK](#) [GLX-S-88M-BLK](#) [GMX-N-1010](#) [GMX-S-1010](#) [GMX-S-66](#) [GMX-SMT4-N-88](#) [GPX-2-64](#) [GSGX-N-2-88](#) [GSGX-N-4-88](#) [GSX-NS2-88-3.05](#) [GSX-NS2-88-3.05-50](#) [GSX-NS-88-3.05-50](#) [PT-108A-8C-UL](#) [PT-J951-8C](#) [PTS-J531-8CS-50UL](#) [1-1775629-2](#) [A-2014-0-4](#) [GWLX-S-88-GR](#) [GWLX-S9-88-YG](#) [DC-1021-8-WH-6](#) [1300530003](#) [1324640-4](#) [RJ11FTVC2G](#) [RJ11FTVC2N](#) [RJFTVX2SA1G](#) [132764-001](#) [1413235](#) [MP88X-1000](#) [MPS88RX-5000](#) [MRJR-5481-0F2](#) [E5288-S000K3-L](#) [E5908-15A242-L](#) [155302-001](#)