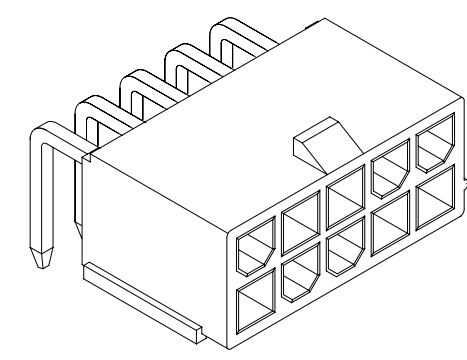
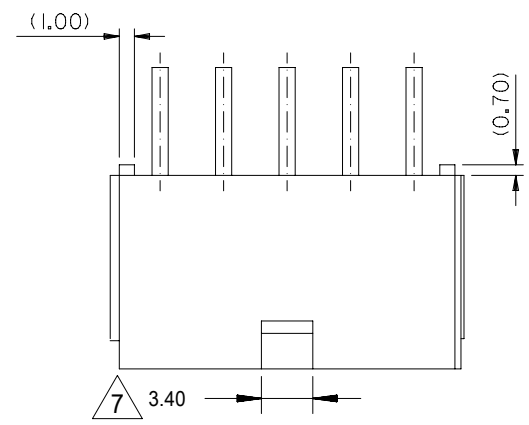


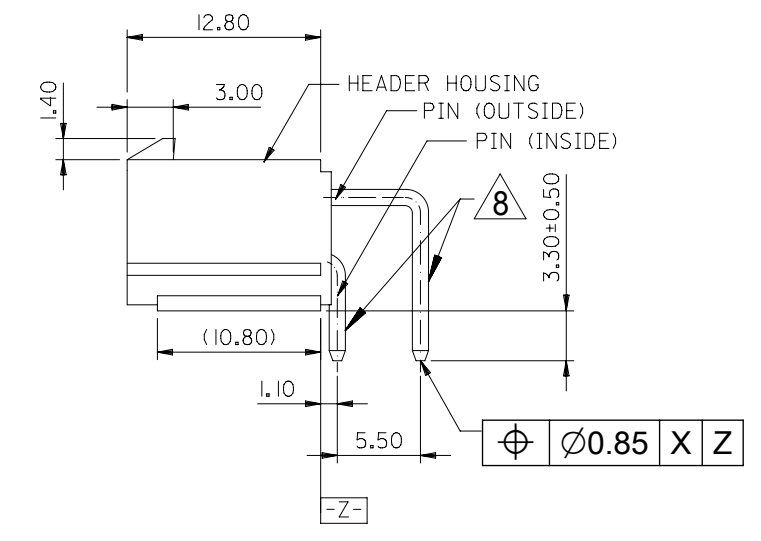
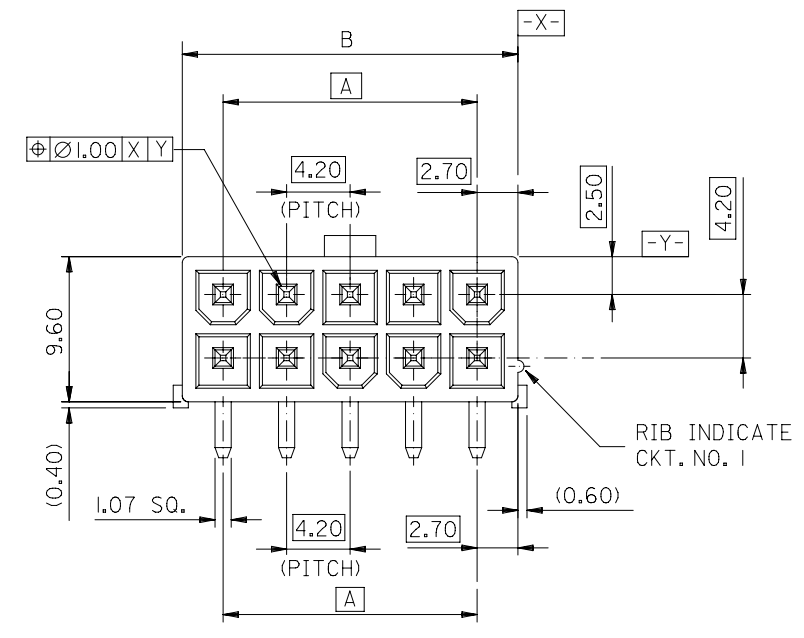
51.60±0.55	46.20	24
47.40±0.55	42.00	22
43.20±0.50	37.80	20
39.00±0.45	33.60	18
34.80±0.35	29.40	16
30.60±0.30	25.20	14
26.40±0.30	21.00	12
22.20±0.30	16.80	10
18.00±0.30	12.60	8
13.80±0.25	8.40	6
9.60±0.25	4.20	4
5.40±0.20	--	2
B	A	CKT. SIZE



ISOMETRIC VIEW

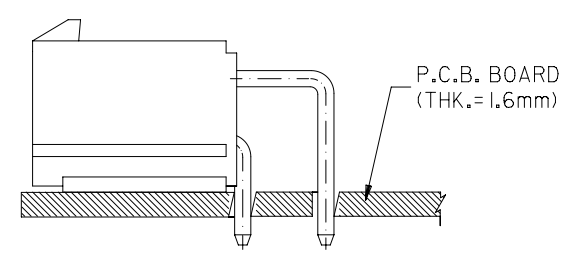
LEGEND

- 87427-****
- CKT. SIZE (SEE SHEET 2).
- PLATING OPTIONS
 2 = NOTE/2.2
 4 = NOTE/2.2
- PACKAGING & COLOR OPTIONS 4
 0 = TRAY PACKED - COLOR BEIGE
 2 = TUBE PACKED - COLOR BEIGE
 3 = TAPE & REEL PACKED - COLOR BEIGE
 7 = TRAY PACKED - COLOR BLACK

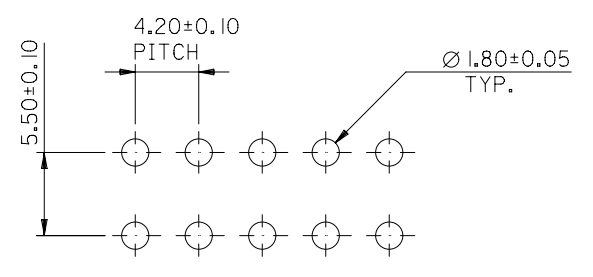


NOTES

- MATERIALS:
 - HEADER: NYLON 46, UL94V-0, COLOR SEE LEGEND.
 - PIN: BRASS
- FINISH- PLATING OF PIN:
 2.2 MATTE TIN .00254 MIN. OVER NICKEL .00127 MIN.
- PRODUCT SPECIFICATION: PS-87427-0001.
- PACKAGING SPECIFICATION:
 TRAY PACK PER PK-87427-001.
 TAPE & REEL PACK PER PK-87427-009.
- MATES WITH: MINI-FIT JR. RECEPTACLE SERIES 5557.
- THESE PARTS CONFORM TO CLASS "B" REQUIREMENTS OF COSMETIC SPECIFICATION PS-45499-002.
- THIS DIMENSION IS 4.2 ON 2 CKT PARTS.
- FORMING MARKS ARE ACCEPTABLE
- DISCOLORATION IN THE BANDOLIER CARRIER AREA OF THE PIN IS INHERENT TO THE PLATING PROCESS AND IS DUE TO THE MASKING EFFECT OF THE CARRIER. THIS DISCOLORATION IS IN A NON-FUNCTIONAL AREA OF THE PIN AND WILL NOT AFFECT THE PERFORMANCE OF THE HEADER ASSEMBLY.
- PARTS ARE NOT DESIGNED FOR CURRENT SHARING.
- CONNECTORS ARE NOT TO BE MATED AND UNMATED WHILE CIRCUITS ARE LIVE.



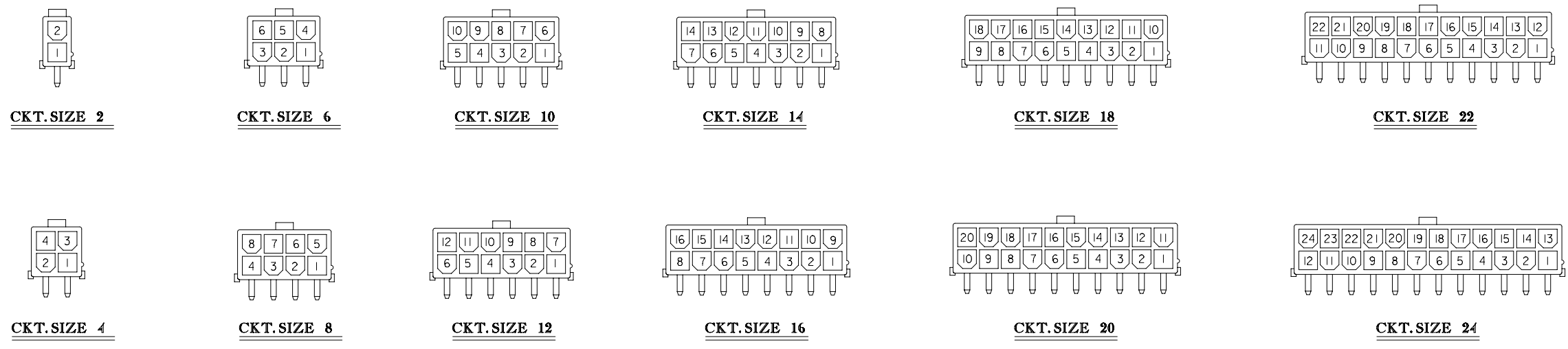
RECOMMENDED INSTALLATION PATTERN



RECOMMENDED P.C.B. LAYOUT

SYMBOLS	THIS DRAWING CONTAINS INFORMATION THAT IS PROPRIETARY TO MOLEX ELECTRONIC TECHNOLOGIES, LLC AND SHOULD NOT BE USED WITHOUT WRITTEN PERMISSION			
	DIMENSION UNITS	SCALE	CURRENT REV DESC: ADDED T&R P/N'S	
△ = 0	MM ONLY	2:1	molex 4.2MM W-T-B, RIGHT ANGLE HEADER WITHOUT MOUNTING FLANGES	
▽ = 0	GENERAL TOLERANCES (UNLESS SPECIFIED)			
▽ = 0		MM	INCH	EC NO: 643503 DRWN: EHAUGERUD 2020/08/17 CHK'D: DSTEIER 2020/08/26 APPR: FSMITH 2020/08/27
▽ = 0	4 PLACES	±	±	
▽ = 0	3 PLACES	±	±	INITIAL REVISION: DRWN: STEVEN 1995/02/27 APPR: FSMITH 2010/04/09
▽ = 0	2 PLACES	± 0.2	±	
▽ = 0	1 PLACE	± 0.2	±	DOCUMENT NUMBER 874270000-SD DOC TYPE PSD DOC PART 000 REVISION A1
▽ = 0	0 PLACES	±	±	
▽ = 0	ANGULAR TOL	± 3.0 °		MATERIAL NUMBER SEE CHART CUSTOMER GENERAL MARKET SHEET NUMBER 1 OF 2
▽ = 0	DRAFT WHERE APPLICABLE MUST REMAIN WITHIN DIMENSIONS		THIRD ANGLE PROJECTION	
▽ = 0			DRAWING C-SIZE	SERIES 87427

H
G
F
E
D
C
B
A



ASSIGNMENT OF PART NUMBER DOES NOT INDICATE PART AVAILABILITY. CONSULT FACTORY FOR AVAILABILITY.

PLATING	△ 2.2 MATTE TIN OVER NICKEL			CKT. SIZE
COLOR	BEIGE	BLACK	BEIGE	
PACKAGING	T&R PACKED	TRAY PACKED	TRAY PACKED	
	87427-2434	87427-2472	87427-2402	24
	87427-2234	87427-2272	87427-2202	22
	87427-2034	87427-2072	87427-2002	20
	87427-1834	87427-1872	87427-1802	18
	87427-1634	87427-1672	87427-1602	16
	87427-1434	87427-1472	87427-1402	14
	87427-1234	87427-1272	87427-1202	12
	87427-1034	87427-1072	87427-1002	10
	87427-0834	87427-0872	87427-0802	8
	87427-0634	87427-0672	87427-0602	6
	87427-0434	87427-0472	87427-0402	4
	87427-0234	87427-0272	87427-0202	2

SYMBOLS △ = 0 ▽ = 0 ▽ = 0 S = 0 ▽ = 0 ▽ = 0 ⊠ = 0 ■ = 0 ▽ = 0	THIS DRAWING CONTAINS INFORMATION THAT IS PROPRIETARY TO MOLEX ELECTRONIC TECHNOLOGIES, LLC AND SHOULD NOT BE USED WITHOUT WRITTEN PERMISSION		DIMENSION UNITS: MM ONLY		SCALE: 1:1		CURRENT REV DESC: ADDED T&R P/N'S									
	GENERAL TOLERANCES (UNLESS SPECIFIED)		EC NO: 643503		DRWN: EHAUGERUD 2020/08/17		DRWN: STEVEN 1995/02/27						DOCUMENT NUMBER: 874270000-SD		DOC TYPE: PSD	
	4 PLACES ± ±		DRWN: EHAUGERUD 2020/08/17		APPR: FSMITH 2020/08/27		APPR: FSMITH 2010/04/09		MATERIAL NUMBER: SEE CHART		CUSTOMER: GENERAL MARKET		SHEET NUMBER: 2 OF 2			
	3 PLACES ± ±		CHK'D: DSTEIER 2020/08/26		INITIAL REVISION:		THIRD ANGLE PROJECTION		DRAWING: C-SIZE		SERIES: 87427					
2 PLACES ± 0.2 ±		APPR: FSMITH 2020/08/27		1 PLACE ± 0.2 ±		DRAFT WHERE APPLICABLE MUST REMAIN WITHIN DIMENSIONS		DRAFT WHERE APPLICABLE MUST REMAIN WITHIN DIMENSIONS								
0 PLACES ± ±		ANGULAR TOL ± 3.0 °		DRAFT WHERE APPLICABLE MUST REMAIN WITHIN DIMENSIONS		THIRD ANGLE PROJECTION		DRAWING: C-SIZE		SERIES: 87427						

FORMA1: Eng High Master 10-01-01
REVISED: 01
DATE: 2011/05/05

X-ON Electronics

Largest Supplier of Electrical and Electronic Components

Click to view similar products for [Headers & Wire Housings](#) category:

Click to view products by [Molex](#) manufacturer:

Other Similar products are found below :

[892-18-020-10-001101](#) [58102-G61-06LF](#) [582553-1](#) [0009485154](#) [009176003701906](#) [0050291907](#) [LY20-4P-DT1-P1E-BR](#) [02.125.8002.8](#)
[609-3404](#) [61062-3](#) [61082-181009](#) [622-3653LF](#) [63453-116](#) [636-1030](#) [636-1427](#) [636-3427](#) [636-4007](#) [641938-9](#) [641991-4](#) [644827-2](#) [65817-](#)
[010LF](#) [65817-015LF](#) [65863-015LF](#) [66207-023LF](#) [67095-007LF](#) [67601157](#) [68648-049](#) [70.362.1628.0](#) [70-4210](#) [70-4226B](#) [70-4853B](#) [707-](#)
[5020](#) [707-5028](#) [71.350.2428.0](#) [71918-208LF](#) [71961-016LF](#) [733-134](#) [733-162](#) [754199-000](#) [760-3052](#) [787-8014-00](#) [79531-3000](#) [FCN-](#)
[360C032-B](#) [FCN-367T-T012/H](#) [FCN-723D010/2](#) [80.063.4001.1](#) [800-90-001-10-001000](#) [800-90-010-10-002000](#) [801-43-002-10-013000](#)
[801-43-006-10-002000](#)