

PLEASE CHECK WWW.MOLEX.COM FOR LATEST PART INFORMATION

Part Number: [0875271612](#)
Status: **Active**
Description: 2.50mm Connector Pitch, 3.00mm Power Pitch, 3-in-1 Combo Connector with Single Fuse Socket, Right-Angle, 16 Circuits, Tin (Sn) Overall

Documents:

[3D Model](#) [Packaging Specification SPK-87527-001-001 \(PDF\)](#)
[Drawing \(PDF\)](#) [RoHS Certificate of Compliance \(PDF\)](#)
[Product Specification PS-87527-001-001 \(PDF\)](#)

Agency Certification

CSA LR19980
 UL E29179

General

Product Family I/O Connectors
 Series [87527](#)
 Application Wire-to-Board
 Comments Signal, Power, and Mini-Fuse
 Component Type Plug, Receptacle
 Product Name 3-in-1 Combo
 Type N/A
 UPC 822348069736

Physical

Circuits (Loaded) 16
 Circuits (maximum) 16
 Durability (mating cycles max) 30
 Flammability 94V-2
 Lock to Mating Part None
 Material - Plating Mating Tin
 Material - Plating Termination Tin
 Net Weight 6602.000/mg
 Orientation Right Angle
 PC Tail Length 2.90mm
 PCB Retention Yes
 PCB Thickness - Recommended 1.60mm
 Packaging Type Bag
 Panel Mount No
 Pitch - Mating Interface 2.50mm
 Polarized to Mating Part Yes
 Surface Mount Compatible (SMC) No
 Temperature Range - Operating -40° to +105°C
 Termination Interface: Style Through Hole
 Wire Size AWG N/A

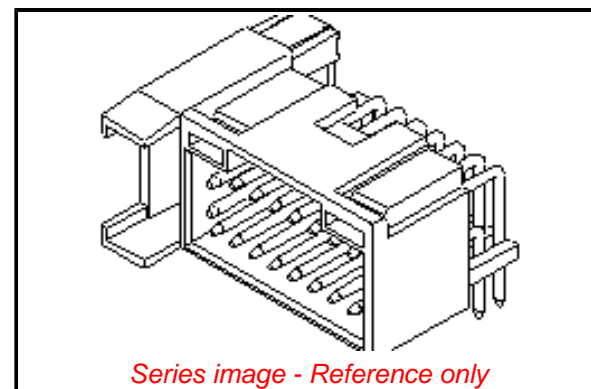
Electrical

Current - Maximum per Contact 4.0A
 Shielded Yes
 Voltage - Maximum 250V

Material Info

Reference - Drawing Numbers

Packaging Specification SPK-87527-001-001
 Product Specification PS-87527-001-001
 Sales Drawing SD-87527-007-001, SD-87527-007-002



EU ELV

Not Relevant

EU RoHS

Compliant

REACH SVHC

Not Contained Per -
 D(2020)4578-DC (25
 June 2020)

Halogen-Free

Status

Low-Halogen

For more information, please visit [Contact US](#)

China ROHS

ELV

RoHS Phthalates

China RoHS

Green Image

Not Relevant

Not Contained

Search Parts in this Series

[87527 Series](#)

Mates With

[877940002 Receptacle Housing](#)

This document was generated on 10/01/2021

PLEASE CHECK WWW.MOLEX.COM FOR LATEST PART INFORMATION

X-ON Electronics

Largest Supplier of Electrical and Electronic Components

Click to view similar products for [I/O Connectors](#) category:

Click to view products by [Molex](#) manufacturer:

Other Similar products are found below :

[571763P](#) [58098-0628](#) [72.250.1628.2](#) [72.250.2428.2](#) [74720-0505](#) [76.350.0729.0](#) [76871-1403](#) [FCN-244F080-G/1](#) [FCN-260A9920](#) [PCR-E36PM](#) [PCS-XE26MA+](#) [G38A71314B](#) [1571250010](#) [157-22500-3](#) [MS3471L14-19P L/C](#) [192991-0703](#) [172501-4002](#) [172501-6002](#) [FCN-260C008-A/L0](#) [FCN-260C024-AL0](#) [FCN-261Z008](#) [2000314-1](#) [200331-1](#) [PCR-E36FC+](#) [PCS-E28FS+](#) [PCS-XE26SLFD+](#) [PCS-XE26SLFDT+](#) [G730VID08BDC24](#) [U90B2054081210](#) [38113800006](#) [DP3AR020WQ1R200](#) [Z4.102.0680.0](#) [500-1040](#) [500-1052](#) [500-1054](#) [ZP-4008-66L](#) [0709821002](#) [DX40-20P\(55\)](#) [5554841-1](#) [MS3474W18-8P-LC*](#) [U90B3054061110](#) [U65-E04-4020](#) [ZPF000000000097891](#) [747360449](#) [10099439-003C-TRLF](#) [10137239-0021LF](#) [E9320-001-01](#) [10137239-0011LF](#) [70289-001LF](#) [70.060.1028.0](#)