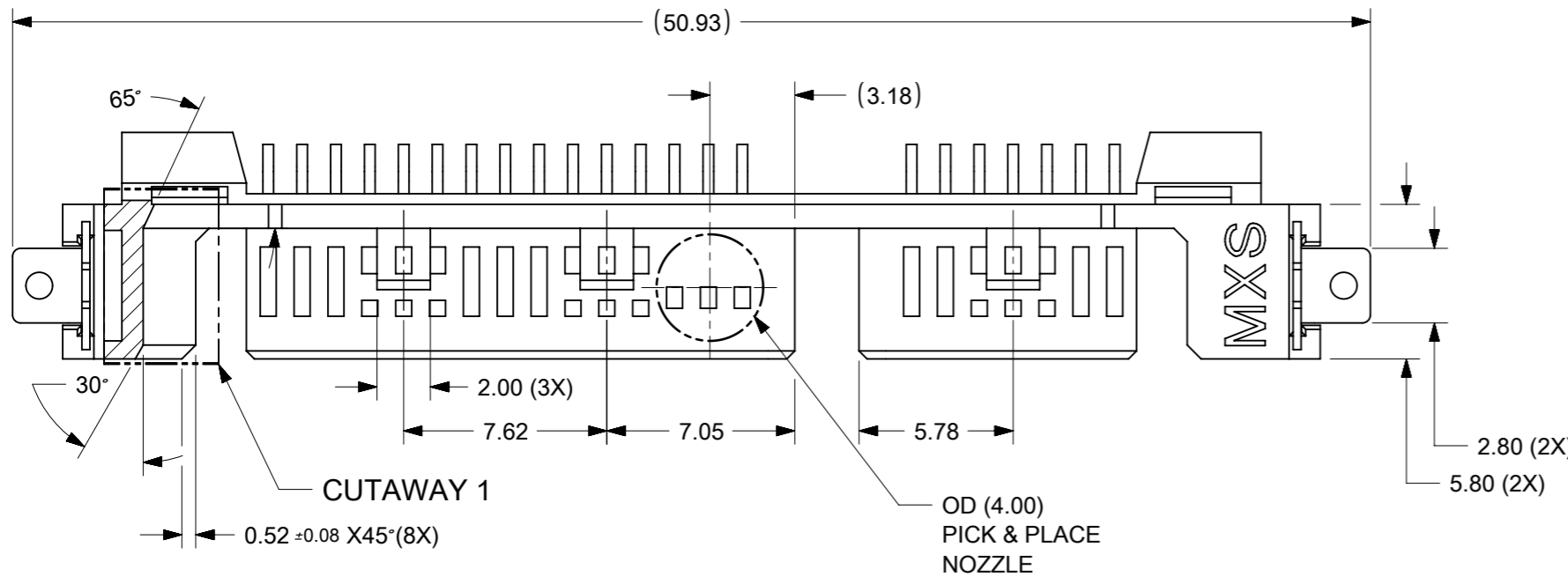
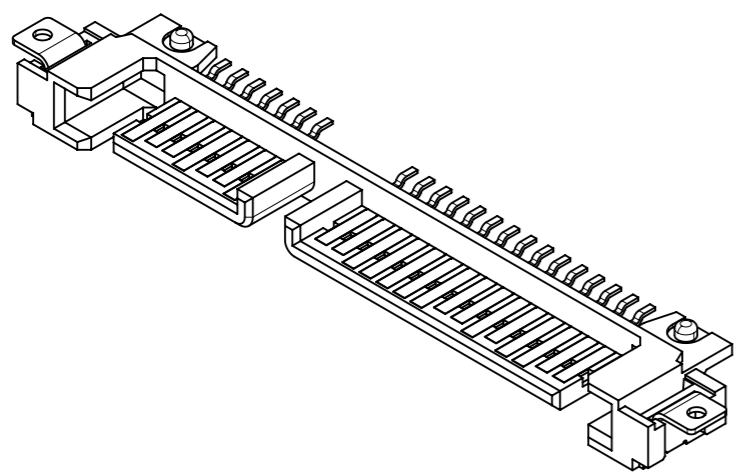
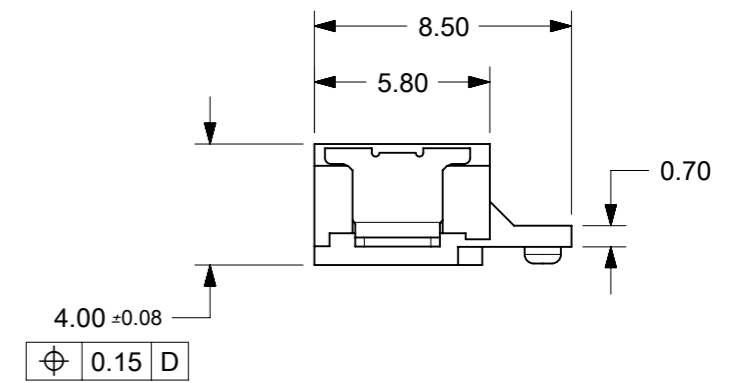
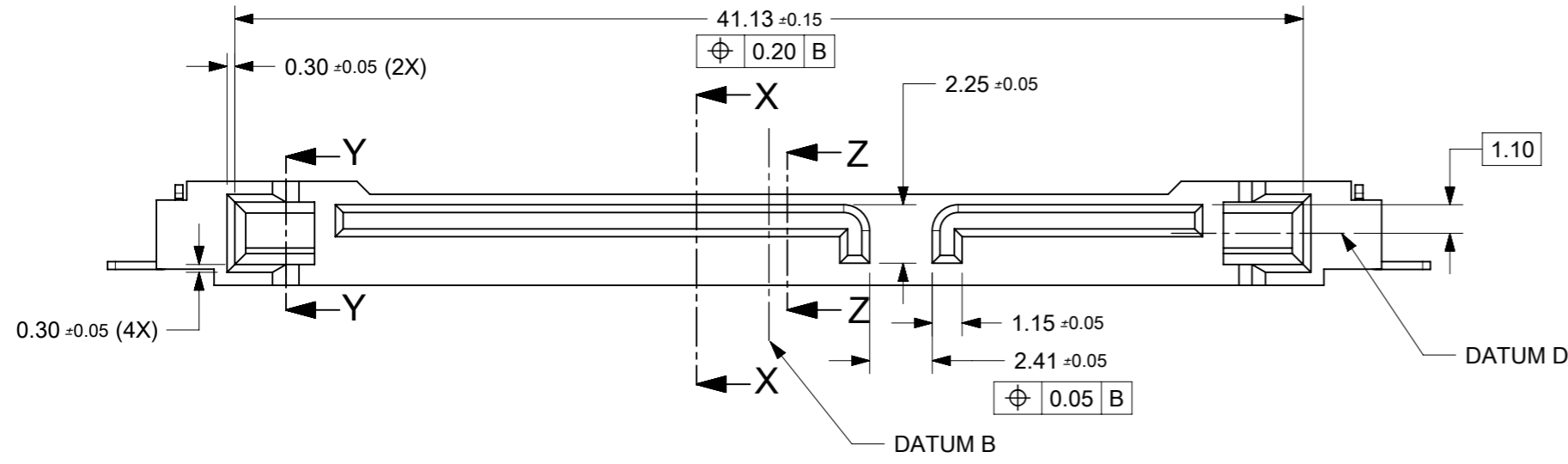


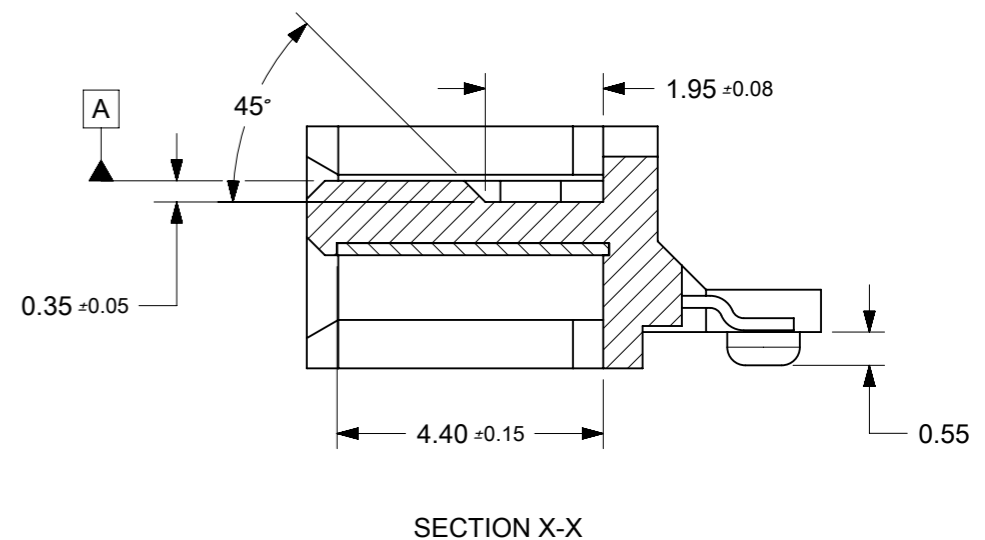
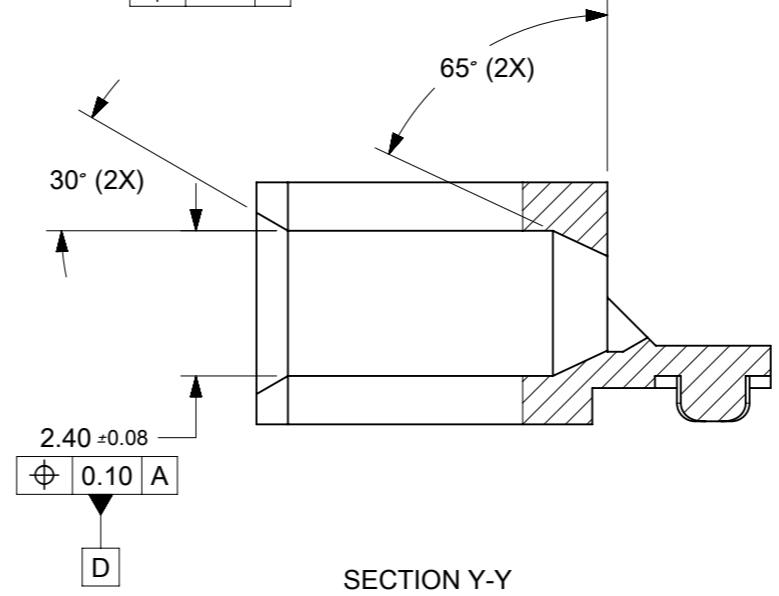
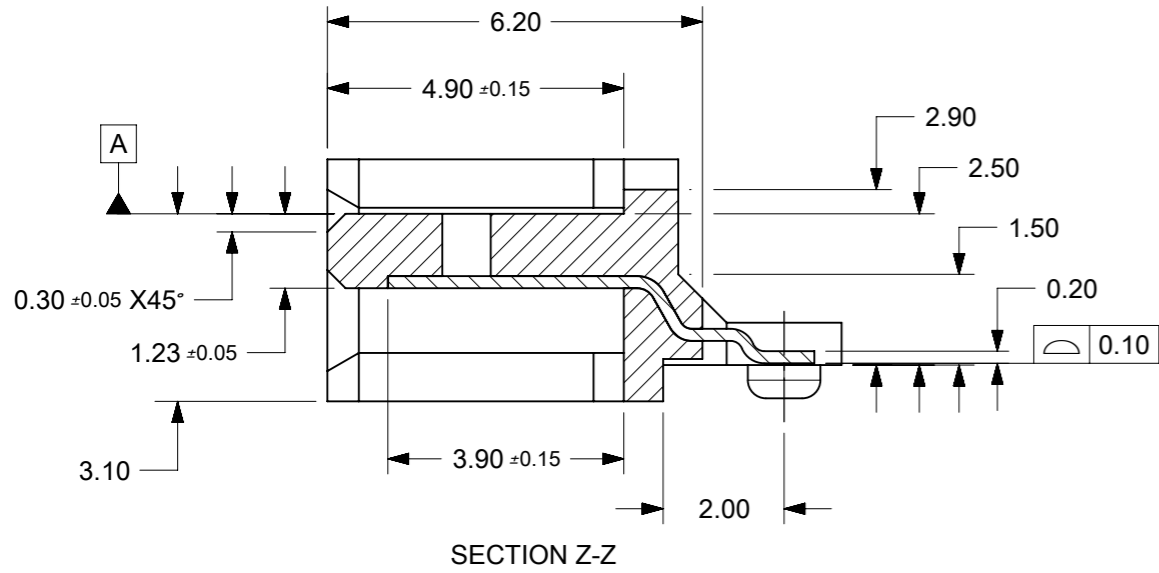
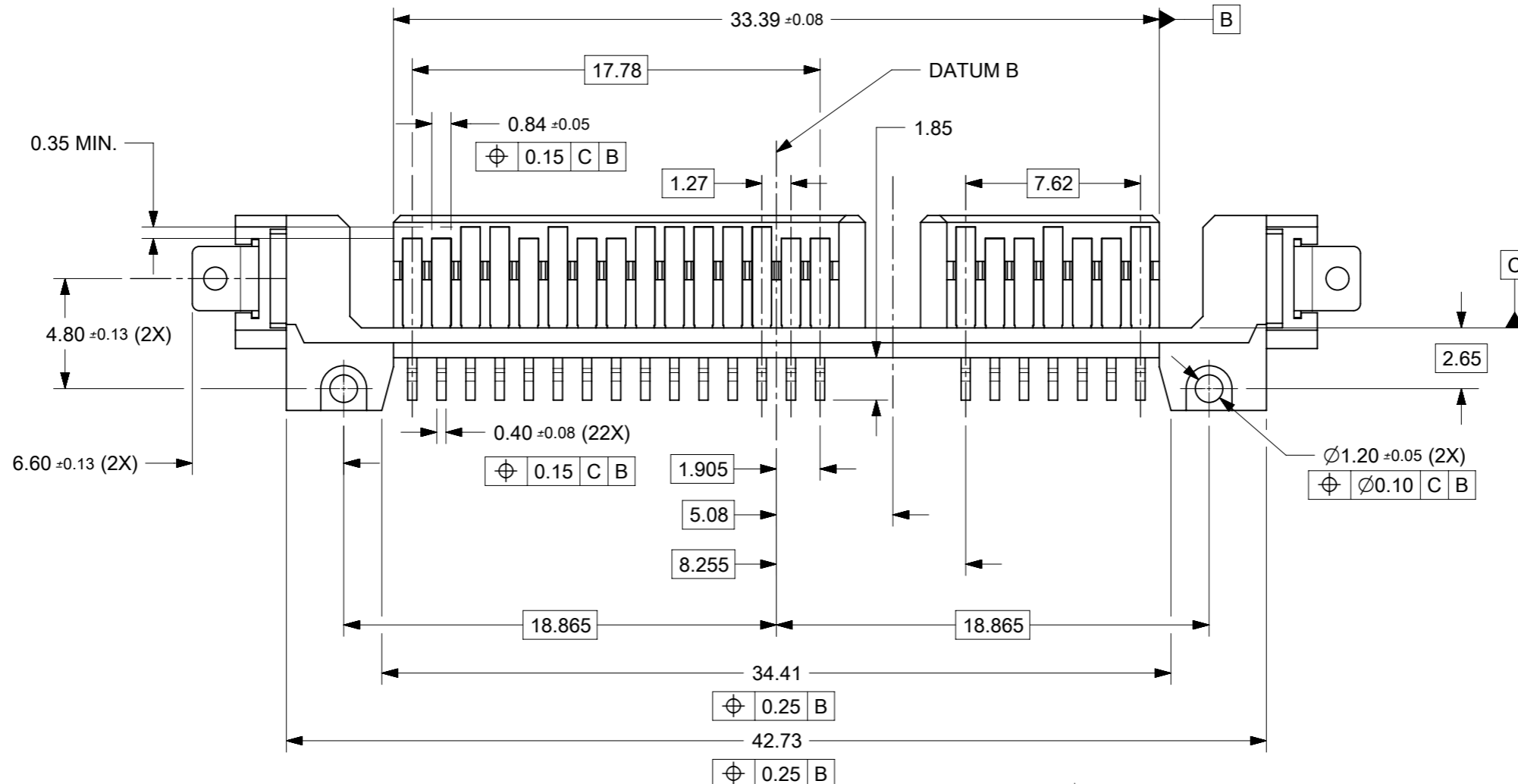
PART NUMBER	PACKAGING
87703-0001	TRAY



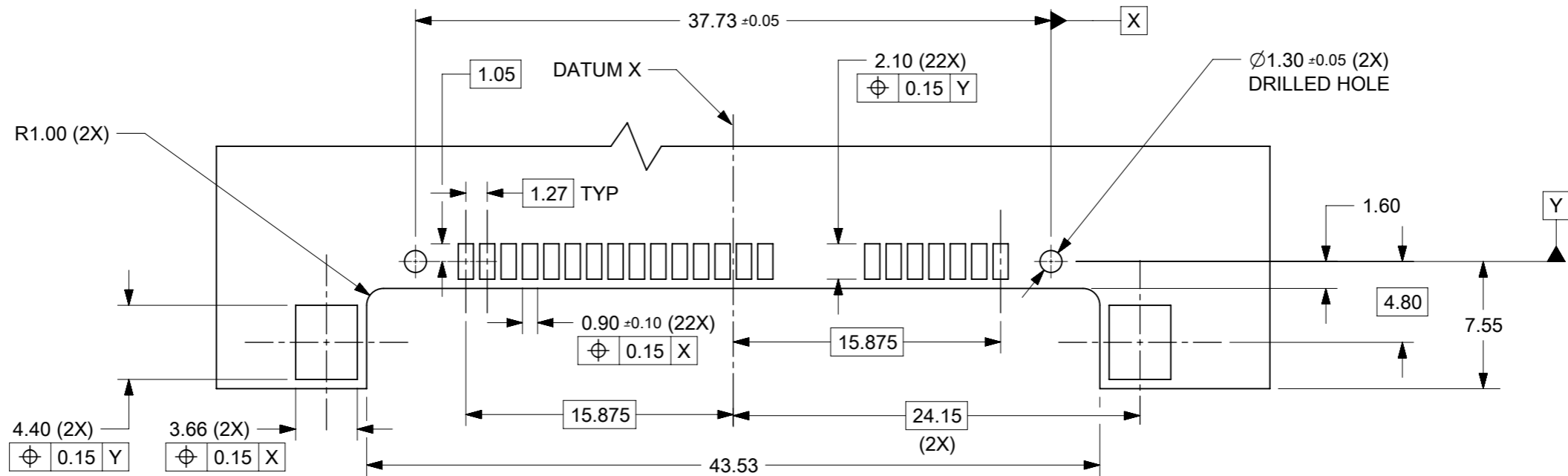
- NOTES:
- MATERIAL:  
HOUSING: LIQUID CRYSTALLINE POLYMER (LCP), GLASS FILLED  
UL 94V-0, COLOR: BLACK  
CONTACTS & SMT NAILS: COPPER ALLOY
  - PLATING FINISH ON CONTACTS AND SOLDER TAILS:  
0.127µm MIN. GOLD FLASH OVER 1.27µm MIN. NICKEL UNDERPLATE
  - PLATING FINISH ON SMT NAILS:  
3.18µm MIN. TIN OVER 1.27µm MIN. NICKEL UNDERPLATE
  - PRODUCT SPECIFICATION: PS-87703-017 APPLIES
  - PRODUCT CONFORMS TO SERIAL ATA SPECIFICATION.
  - PACKAGING: SEE TABLE
  - PRODUCT IS COMPLIANT TO RoHS DIRECTIVE WITH THE FOLLOWING BANNED SUBSTANCES - LEAD, MERCURY, CADMIUM, HEXAVALENT CHROMIUM, POLYBROMINATED BIPHENYLS AND POLYBROMINATED DIPHENYL ETHERS.
  - MATES WITH: SATA RECEPTACLE SERIES: 87678, 87701, 87713, 87779, 87780, 87781  
SFF-8482 RECEPTACLE SERIES: 87824, 87839, 87863, 87970



THIS DRAWING CONTAINS INFORMATION THAT IS PROPRIETARY TO MOLEX ELECTRONIC TECHNOLOGIES, LLC AND SHOULD NOT BE USED WITHOUT WRITTEN PERMISSION									
DIMENSION UNITS		SCALE		CURRENT REV DESC: OBSOLETE PART NO				<b>molex</b>	
mm		4:1							
GENERAL TOLERANCES (UNLESS SPECIFIED)									
		MM		INCH		EC NO: 625872		SERIAL ATA PLUG	
4 PLACES		±		±		DRWN: SKANG 2018/01/18		2.5 INCH HDD	
3 PLACES		±		±		CHK'D: GB 2019/11/06			
2 PLACES		± 0.2		±		APPR: GGA 2019/11/12		PRODUCT CUSTOMER DRAWING	
1 PLACE		±		±		INITIAL REVISION:		DOCUMENT NUMBER	
0 PLACES		±		±		DRWN: RSHAN 2002/11/18		SD-87703-002	
ANGULAR TOL		± 3.0°		±		APPR: SKTOH 2002/12/18		DOC TYPE	
DRAFT WHERE APPLICABLE MUST REMAIN WITHIN DIMENSIONS		THIRD ANGLE PROJECTION		DRAWING		SERIES		MATERIAL NUMBER	
		A3-SIZE		87703		SEE TABLE		CUSTOMER	
								GENERAL MARKET	
								SHEET NUMBER	
								1 OF 5	



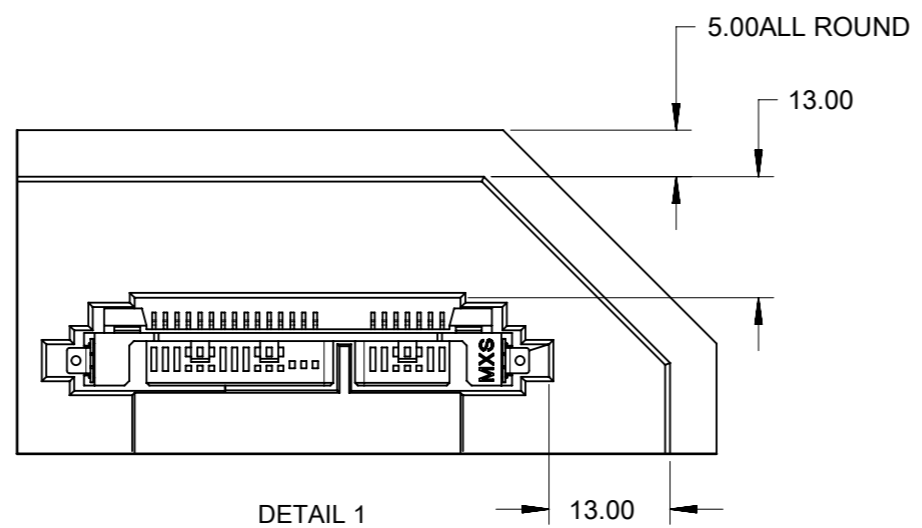
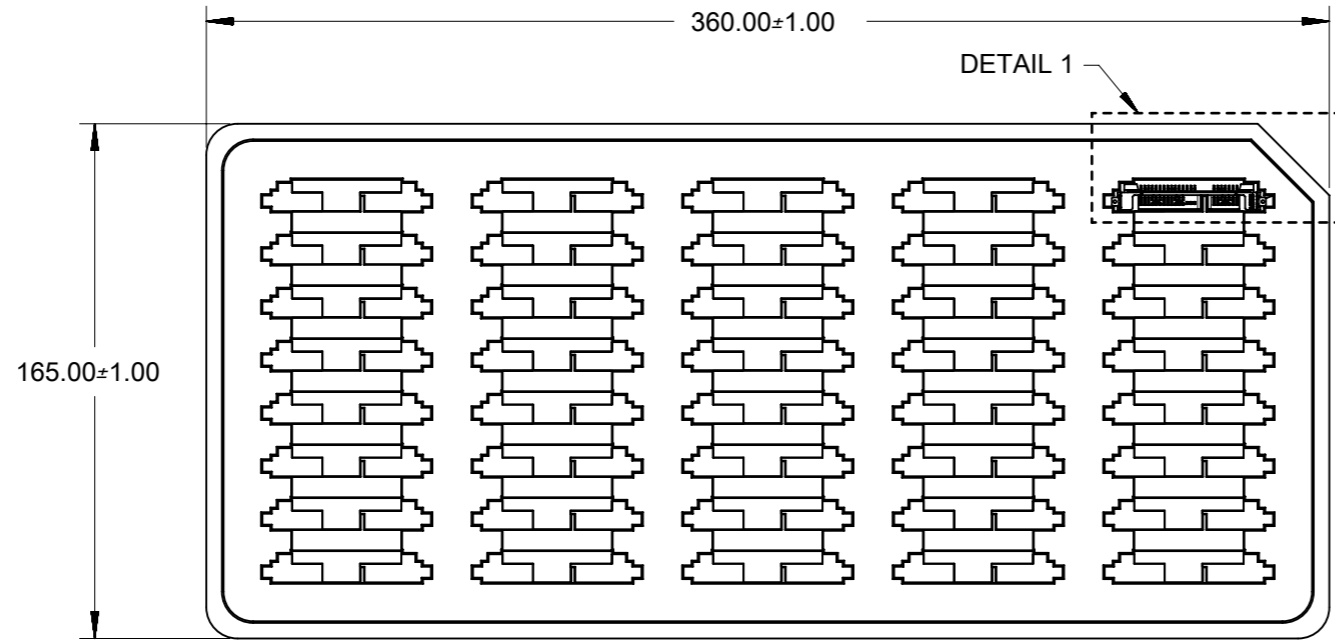
THIS DRAWING CONTAINS INFORMATION THAT IS PROPRIETARY TO MOLEX ELECTRONIC TECHNOLOGIES, LLC AND SHOULD NOT BE USED WITHOUT WRITTEN PERMISSION											
DIMENSION UNITS		SCALE		CURRENT REV DESC: OBSOLETE PART NO						<b>molex</b>	
mm		1:1									
GENERAL TOLERANCES (UNLESS SPECIFIED)				EC NO: 625872		2018/01/18		SERIAL ATA PLUG 2.5 INCH HDD			
				DRWN: SKANG		2019/11/06					
				CHK'D: GB		2019/11/12		PRODUCT CUSTOMER DRAWING			
				APPR: GGA							
				INITIAL REVISION:				DOCUMENT NUMBER		DOC TYPE	
				DRWN: RSHAN		2002/11/18		SD-87703-002		PSD	
				APPR: SKTOH		2002/12/18		001		D	
ANGULAR TOL ± 3.0°				DRAFT WHERE APPLICABLE MUST REMAIN WITHIN DIMENSIONS		THIRD ANGLE PROJECTION		DRAWING		SHEET NUMBER	
						A3-SIZE		87703		2 OF 5	
						MATERIAL NUMBER		CUSTOMER		SHEET NUMBER	
						SEE TABLE		GENERAL MARKET		2 OF 5	



RECOMMENDED PCB LAYOUT  
PCB THICKNESS : 0.50±0.08

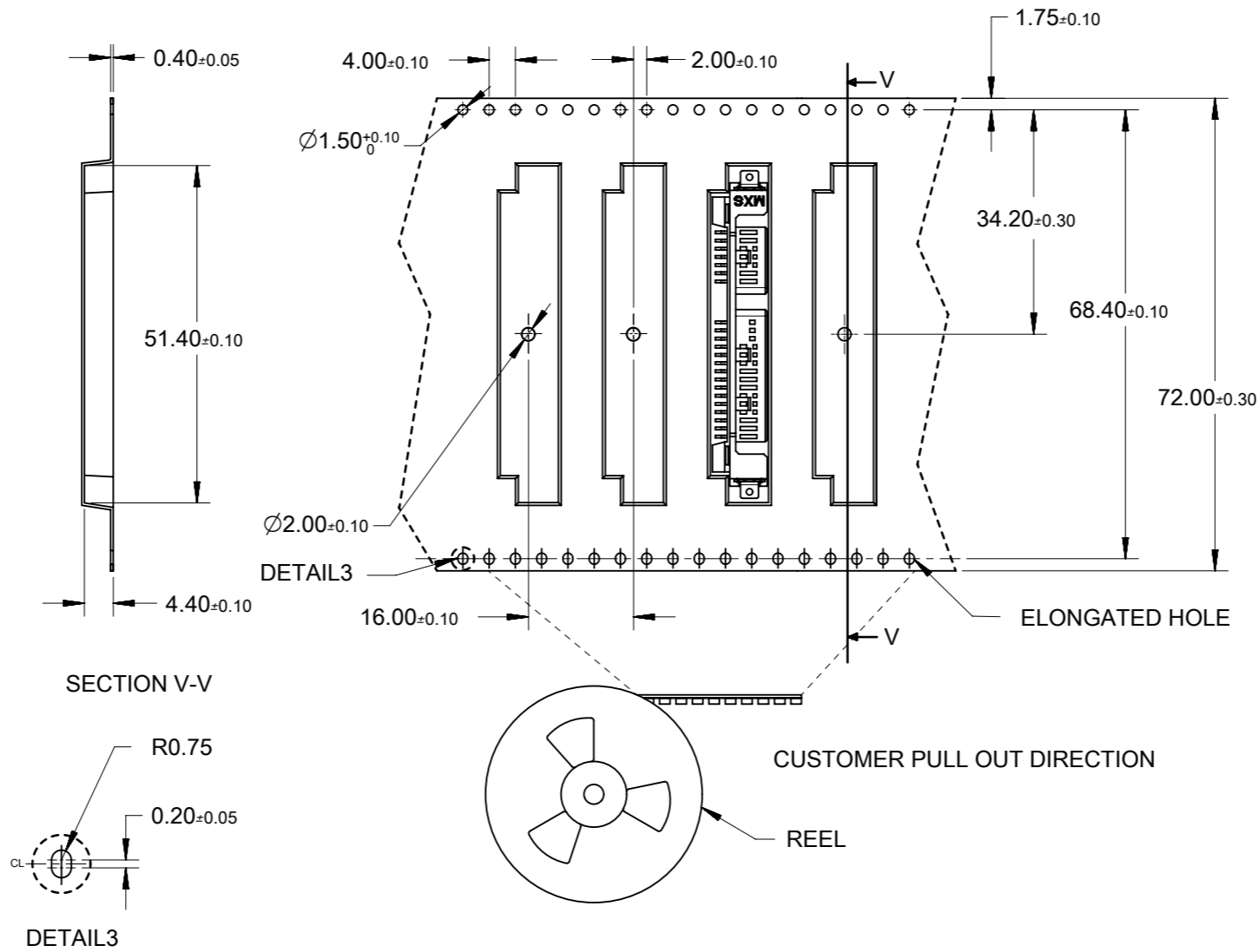
THIS DRAWING CONTAINS INFORMATION THAT IS PROPRIETARY TO MOLEX ELECTRONIC TECHNOLOGIES, LLC AND SHOULD NOT BE USED WITHOUT WRITTEN PERMISSION									
DIMENSION UNITS		SCALE		CURRENT REV DESC: OBSOLETE PART NO				<b>molex</b>	
mm		3:1							
GENERAL TOLERANCES (UNLESS SPECIFIED)				EC NO: 625872		2018/01/18		SERIAL ATA PLUG	
				DRWN: SKANG		2019/11/06		2.5 INCH HDD	
4 PLACES ±				CHK'D: GB		2019/11/12		PRODUCT CUSTOMER DRAWING	
3 PLACES ±				APPR: GGA					
2 PLACES ± 0.2				INITIAL REVISION:					
1 PLACE ±				DRWN: RSHAN		2002/11/18		DOCUMENT NUMBER	
0 PLACES ±				APPR: SKTOH		2002/12/18		SD-87703-002	
ANGULAR TOL ± 3.0°				THIRD ANGLE PROJECTION		DRAWING		DOC TYPE	
DRAFT WHERE APPLICABLE MUST REMAIN WITHIN DIMENSIONS				A3-SIZE		SERIES		DOC PART	
				87703		MATERIAL NUMBER		REVISION	
				SEE TABLE		CUSTOMER		001 D	
				GENERAL MARKET		SHEET NUMBER		3 OF 5	

# TRAY PACKAGING

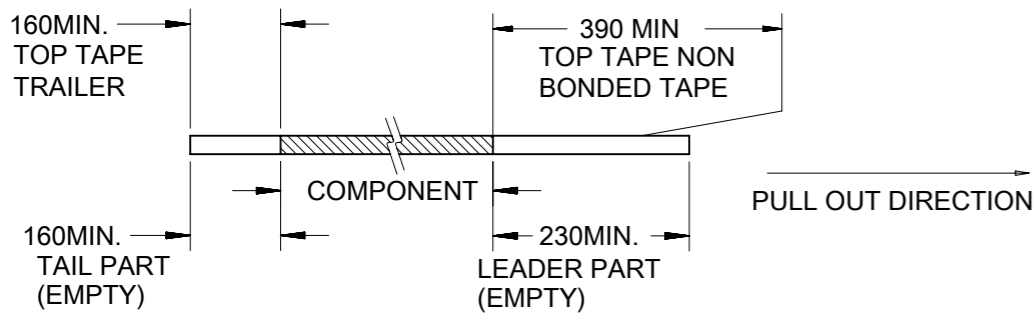


THIS DRAWING CONTAINS INFORMATION THAT IS PROPRIETARY TO MOLEX ELECTRONIC TECHNOLOGIES, LLC AND SHOULD NOT BE USED WITHOUT WRITTEN PERMISSION									
DIMENSION UNITS		SCALE		CURRENT REV DESC: OBSOLETE PART NO				<b>molex</b>	
mm		1:2.5							
GENERAL TOLERANCES (UNLESS SPECIFIED)				EC NO: 625872				SERIAL ATA PLUG	
				DRWN: SKANG				2.5 INCH HDD	
4 PLACES ±				CHK'D: GB				2018/01/18	
3 PLACES ±				APPR: GGA				2019/11/06	
2 PLACES ± 0.2				INITIAL REVISION:				PRODUCT CUSTOMER DRAWING	
1 PLACE ±				DRWN: RSHAN				DOCUMENT NUMBER	
0 PLACES ±				APPR: SKTOH				SD-87703-002	
ANGULAR TOL ± 3.0°				2002/11/18				DOC TYPE	
DRAFT WHERE APPLICABLE MUST REMAIN WITHIN DIMENSIONS				THIRD ANGLE PROJECTION		DRAWING		DOC PART	
				A3-SIZE		SERIES		REVISION	
				87703		MATERIAL NUMBER		001 D	
				SEE TABLE		CUSTOMER		4 OF 5	
				GENERAL MARKET		SHEET NUMBER			

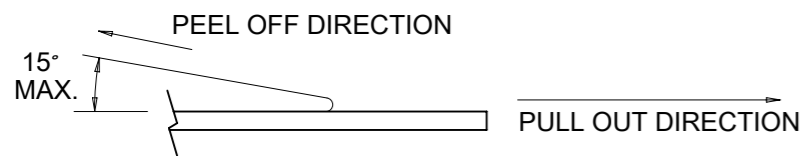
# TAPE & REEL PACKAGING



NOTES:  
1. LEADER AND TRAILER TAPE



2. PEELING OFF FORCE OF THE TOP TAPE: 20 - 60gf.  
(PEELING DIRECTION AS SHOWN IN FOLLOWING FIGURE)



3. TAPE AND REEL SPECIFICATION IS AS PER EIA-481.  
4. TAPE AND REEL QUANTITY : 850 PCS/ REEL.  
5. THE TAPE IS TREATED FOR ANTI-STATIC.

THIS DRAWING CONTAINS INFORMATION THAT IS PROPRIETARY TO MOLEX ELECTRONIC TECHNOLOGIES, LLC AND SHOULD NOT BE USED WITHOUT WRITTEN PERMISSION		CURRENT REV DESC: OBSOLETE PART NO		<b>molex</b>	
GENERAL TOLERANCES (UNLESS SPECIFIED)		EC NO: 625872			
DIMENSION UNITS		SCALE		DRWN: SKANG 2018/01/18	
mm		1:1		CHK'D: GB 2019/11/06	
4 PLACES ±		MM		APPR: GGA 2019/11/12	
3 PLACES ±		INCH		INITIAL REVISION:	
2 PLACES ± 0.2		1 PLACE ±		DRWN: RSHAN 2002/11/18	
1 PLACE ±		0 PLACES ±		APPR: SKTOH 2002/12/18	
ANGULAR TOL ± 3.0°		DRAFT WHERE APPLICABLE MUST REMAIN WITHIN DIMENSIONS		THIRD ANGLE PROJECTION	
DRAWING		SERIES		MATERIAL NUMBER	
A3-SIZE		87703		SEE TABLE	
CUSTOMER		SHEET NUMBER		DOCUMENT NUMBER	
GENERAL MARKET		5 OF 5		SD-87703-002	
PSD		001		D	

## X-ON Electronics

Largest Supplier of Electrical and Electronic Components

*Click to view similar products for [I/O Connectors](#) category:*

*Click to view products by [Molex](#) manufacturer:*

Other Similar products are found below :

[571763P](#) [58098-0628](#) [72.250.1628.2](#) [72.250.2428.2](#) [74720-0505](#) [76.350.0729.0](#) [76871-1403](#) [FCN-244F080-G/1](#) [FCN-260A9920](#) [PCR-E36PM](#) [PCS-XE26MA+](#) [G38A71314B](#) [1571250010](#) [157-22500-3](#) [MS3471L14-19P L/C](#) [192991-0703](#) [172501-4002](#) [172501-6002](#) [FCN-260C008-A/L0](#) [FCN-260C024-AL0](#) [FCN-261Z008](#) [2000314-1](#) [200331-1](#) [PCR-E36FC+](#) [PCS-E28FS+](#) [PCS-XE26SLFD+](#) [PCS-XE26SLFDT+](#) [G730VID08BDC24](#) [U90B2054081210](#) [38113800006](#) [DP3AR020WQ1R200](#) [Z4.102.0680.0](#) [500-1040](#) [500-1052](#) [500-1054](#) [ZP-4008-66L](#) [0709821002](#) [DX40-20P\(55\)](#) [5554841-1](#) [MS3474W18-8P-LC\\*](#) [U90B3054061110](#) [U65-E04-4020](#) [ZPF000000000097891](#) [747360449](#) [10099439-003C-TRLF](#) [10137239-0021LF](#) [E9320-001-01](#) [10137239-0011LF](#) [70289-001LF](#) [70.060.1028.0](#)