

PLEASE CHECK WWW.MOLEX.COM FOR LATEST PART INFORMATION

Part Number: [0877610001](#)
Status: **Active**
Overview: [Milli-Grid Connector System](#)
Description: Milli-Grid Header, Dual Row Dual Body, Through Hole, Vertical, 10 Circuits, 0.38µm Gold (Au) Selective Plating, 22.86mm Stacking Height, Pocket Tray Packaging, Lead-Free

Documents:

Drawing (PDF)	Packaging Specification PK-89990-487-001 (PDF)
Product Specification PS-87761-100-001 (PDF)	Test Summary 877610000-TS-000 (PDF)
Application Specification 503940001-AS-000 (PDF)	RoHS Certificate of Compliance (PDF)
Packaging Specification PK-87761-001-001 (PDF)	

Agency Certification

UL E29179

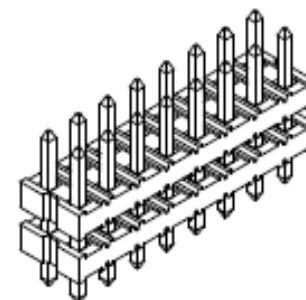
General

Product Family	PCB Headers
Series	87761
Application	Board-to-Board, Signal
Overview	Milli-Grid Connector System
Product Name	Dual Body, Milli-Grid
UPC	756054411322

Physical

Breakaway	Yes
Circuits (Loaded)	10
Circuits (maximum)	10
Color - Resin	Black
First Mate / Last Break	No
Flammability	94V-0
Glow-Wire Capable	No
Guide to Mating Part	No
Keying to Mating Part	None
Lock to Mating Part	None
Mated Height	5.08mm
Material - Metal	Copper Alloy
Material - Plating Mating	Gold
Material - Plating Termination	Nickel
Material - Resin	Nylon
Net Weight	0.862/g
Number of Rows	2
Orientation	Vertical
PCB Locator	No
PCB Retention	None
Packaging Type	Tray
Pitch - Mating Interface	2.00mm
Pitch - Termination Interface	2.00mm
Plating min - Mating	0.381µm
Polarized to Mating Part	No
Polarized to PCB	No
Shrouded	No
Stackable	No
Temperature Range - Operating	-55° to +105°C
Termination Interface: Style	Through Hole

Electrical



Series image - Reference only

EU ELV

Not Relevant

EU RoHS

Compliant

REACH SVHC

Not Contained Per -
D(2021)4569-DC (8
July 2021)

Halogen-Free

Status

Not Low-Halogen

For more information, please visit [Contact US](#)

China ROHS

ELV

RoHS Phthalates

China RoHS

Green Image

Not Relevant

Not Relevant

Search Parts in this Series

[87761](#) Series

Mates With

[79109](#) Board-to-Board Top/Bottom Entry
SMT Receptacle

Current - Maximum per Contact	2.0A
Voltage - Maximum	125V

Solder Process Data

Duration at Max. Process Temperature (seconds)	010
Lead-free Process Capability	WAVE
Max. Cycles at Max. Process Temperature	003
Process Temperature max. C	250

Material Info**Reference - Drawing Numbers**

Application Specification	503940001-AS-000
Packaging Specification	PK-87761-001-001, PK-89990-487-001
Product Specification	PS-87761-100-001
Sales Drawing	SD-87761-052-001
Test Summary	877610000-TS-000

This document was generated on 09/22/2021

PLEASE CHECK WWW.MOLEX.COM FOR LATEST PART INFORMATION

X-ON Electronics

Largest Supplier of Electrical and Electronic Components

Click to view similar products for [Headers & Wire Housings](#) category:

Click to view products by [Molex](#) manufacturer:

Other Similar products are found below :

[892-18-020-10-001101](#) [58102-G61-06LF](#) [582553-1](#) [0009485154](#) [009176003701906](#) [0050291907](#) [LY20-4P-DT1-P1E-BR](#) [02.125.8002.8](#)
[609-3404](#) [61062-3](#) [622-0430](#) [622-3653LF](#) [63453-116](#) [636-1030](#) [636-1427](#) [636-3427](#) [636-4007](#) [641938-9](#) [641991-4](#) [644827-2](#) [65817-010LF](#)
[65817-015LF](#) [65863-015LF](#) [66207-023LF](#) [67095-007LF](#) [67601157](#) [68648-049](#) [70.362.1628.0](#) [70-4210](#) [70-4226B](#) [70-4853B](#) [707-5020](#) [707-5028](#) [71.350.2428.0](#) [71918-208LF](#) [71961-016LF](#) [733-134](#) [733-162](#) [754199-000](#) [760-3052](#) [787-8014-00](#) [79531-3000](#) [FCN-360C032-B](#) [FCN-367T-T012/H](#) [FCN-723D010/2](#) [80.063.4001.1](#) [800-90-001-10-001000](#) [800-90-010-10-002000](#) [801-43-002-10-013000](#) [801-43-006-10-002000](#)