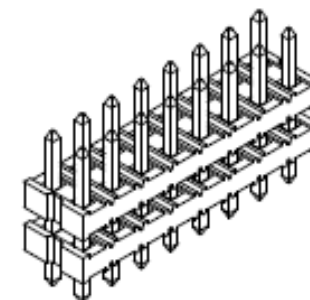


PLEASE CHECK WWW.MOLEX.COM FOR LATEST PART INFORMATION

Part Number: **0877615000**
Status: **Active**
Overview: Milli-Grid Connector System
Description: Milli-Grid Header, Dual Row Dual Body, Through Hole, Vertical, 50 Circuits, 2.50µm Tin (Sn) Plating, 10.00mm Stacking Height, Tray Packaging, Lead-Free

Documents:

| | |
|--|--|
| Drawing (PDF) | Packaging Specification PK-89990-487-001 (PDF) |
| Product Specification PS-87761-100-001 (PDF) | Test Summary 877610000-TS-000 (PDF) |
| Application Specification 503940001-AS-000 (PDF) | RoHS Certificate of Compliance (PDF) |
| Packaging Specification PK-87761-001-001 (PDF) | |



Series image - Reference only

Agency Certification

UL E29179

General

| | |
|----------------|------------------------------------|
| Product Family | PCB Headers |
| Series | <u>87761</u> |
| Application | Board-to-Board, Signal |
| Overview | <u>Milli-Grid Connector System</u> |
| Product Name | Dual Body, Milli-Grid |
| UPC | 822350130684 |

Physical

| | |
|--------------------------------|----------------|
| Breakaway | Yes |
| Circuits (Loaded) | 50 |
| Circuits (maximum) | 50 |
| Color - Resin | Black |
| First Mate / Last Break | No |
| Flammability | 94V-0 |
| Glow-Wire Capable | No |
| Guide to Mating Part | No |
| Keying to Mating Part | None |
| Lock to Mating Part | None |
| Mated Height | 3.50mm |
| Material - Metal | Copper Alloy |
| Material - Plating Mating | Tin |
| Material - Plating Termination | Nickel |
| Material - Resin | Nylon |
| Net Weight | 2.590/g |
| Number of Rows | 2 |
| Orientation | Vertical |
| PCB Locator | No |
| PCB Retention | None |
| Packaging Type | Tray |
| Pitch - Mating Interface | 2.00mm |
| Pitch - Termination Interface | 2.00mm |
| Plating min - Mating | 2.540µm |
| Plating min - Termination | 1.270µm |
| Polarized to Mating Part | No |
| Polarized to PCB | No |
| Shrouded | No |
| Stackable | No |
| Temperature Range - Operating | -55° to +105°C |
| Termination Interface: Style | Through Hole |

Electrical

EU ELV

Not Relevant

EU RoHS

Compliant

REACH SVHC

Not Contained Per -
D(2021)4569-DC (8
July 2021)

Halogen-Free

Status

Not Low-Halogen

For more information, please visit [Contact US](#)

China ROHS

ELV

RoHS Phthalates

China RoHS

Green Image

Not Relevant

Not Contained

Search Parts in this Series

87761 Series

Mates With

79109 Board-to-Board Top/Bottom Entry
SMT Receptacle

| | |
|-------------------------------|------|
| Current - Maximum per Contact | 2.0A |
| Voltage - Maximum | 125V |

Solder Process Data

| | |
|--|------|
| Duration at Max. Process Temperature (seconds) | 010 |
| Lead-free Process Capability | WAVE |
| Max. Cycles at Max. Process Temperature | 003 |
| Process Temperature max. C | 250 |

Material Info**Reference - Drawing Numbers**

| | |
|---------------------------|------------------------------------|
| Application Specification | 503940001-AS-000 |
| Packaging Specification | PK-87761-001-001, PK-89990-487-001 |
| Product Specification | PS-87761-100-001 |
| Sales Drawing | SD-87761-052-001 |
| Test Summary | 877610000-TS-000 |

This document was generated on 09/13/2021

PLEASE CHECK WWW.MOLEX.COM FOR LATEST PART INFORMATION

X-ON Electronics

Largest Supplier of Electrical and Electronic Components

Click to view similar products for [Headers & Wire Housings](#) category:

Click to view products by [Molex](#) manufacturer:

Other Similar products are found below :

[892-18-020-10-001101](#) [58102-G61-06LF](#) [582553-1](#) [0009485154](#) [009176003701906](#) [0050291907](#) [LY20-4P-DT1-P1E-BR](#) [02.125.8002.8](#)
[609-3404](#) [61062-3](#) [622-0430](#) [622-3653LF](#) [63453-116](#) [636-1030](#) [636-1427](#) [636-3427](#) [636-4007](#) [641938-9](#) [641991-4](#) [644827-2](#) [65817-010LF](#)
[65817-015LF](#) [65863-015LF](#) [66207-023LF](#) [67095-007LF](#) [67601157](#) [68648-049](#) [70.362.1628.0](#) [70-4210](#) [70-4226B](#) [70-4853B](#) [707-5020](#) [707-5028](#) [71.350.2428.0](#) [71918-208LF](#) [71961-016LF](#) [733-134](#) [733-162](#) [754199-000](#) [760-3052](#) [787-8014-00](#) [79531-3000](#) [FCN-360C032-B](#) [FCN-367T-T012/H](#) [FCN-723D010/2](#) [80.063.4001.1](#) [800-90-001-10-001000](#) [800-90-010-10-002000](#) [801-43-002-10-013000](#) [801-43-006-10-002000](#)