

PLEASE CHECK WWW.MOLEX.COM FOR LATEST PART INFORMATION

Part Number: [0878240015](#)

Status: **Active**

Overview: Serial Attached SCSI (SAS) Connectors

Description: 1.27mm Signal Pitch, 0.80mm SCSI Pitch, 1.27mm Power Pitch SAS-2 Receptacle, Vertical, Surface Mount, with Surface Mount Solder Tab, 2.54mm PCB Thickness, 29 Circuits, with Cap, Embossed Tape on Reel, Lead-Free

Documents:

3D Model	Product Specification PS-87824-029-001 (PDF)
Drawing (PDF)	Packaging Specification PK-87824-001-001 (PDF)
3D Model (PDF)	RoHS Certificate of Compliance (PDF)

Agency Certification

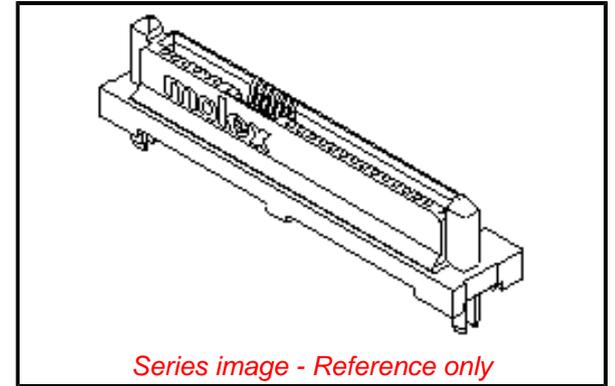
CSA	LR19980
UL	E29179

General

Product Family	I/O Connectors
Series	87824
Application	Board-to-Board
Comments	With Pick-and-Place Cap
Component Type	Receptacle
Electrical Model	Yes
Overview	<u>Serial Attached SCSI (SAS) Connectors</u>
Product Name	SAS 6G, SAS-2
Type	N/A
UPC	800756687339

Physical

Boot Color	N/A
Circuits (Loaded)	29
Circuits (maximum)	29
Circuits Detail	Signal 14, Power 15
Color - Resin	Black
Durability (mating cycles max)	500
Flammability	94V-0
Gender	Female
Keying to Mating Part	Yes
Lock to Mating Part	None
Material - Metal	Brass, Phosphor Bronze
Material - Plating Mating	Gold
Material - Plating Termination	Tin
Material - Resin	High Temperature Thermoplastic
Net Weight	2.446/g
Number of Rows	2
Orientation	Vertical
PCB Locator	Yes
PCB Retention	Yes
PCB Thickness - Recommended	2.54mm
Packaging Type	Embossed Tape on Reel
Panel Mount	Yes
Pitch - Mating Interface	0.80mm, 1.27mm
Pitch - Termination Interface	0.80mm, 1.27mm
Plating min - Mating	0.762µm
Plating min - Termination	2.540µm
Polarized to Mating Part	Yes
Polarized to PCB	Yes



EU ELV

Not Relevant

EU RoHS

Compliant

REACH SVHC

Not Contained Per -
D(2021)4569-DC (8
July 2021)

Halogen-Free

Status

Low-Halogen

For more information, please visit [Contact US](#)

China ROHS

ELV

RoHS Phthalates

China RoHS

Green Image

Not Relevant

Not Contained

Search Parts in this Series

[87824 Series](#)

Mates With

SFF-8482 Hard Disk Drive and Backplane Plug. [87679](#) Serial ATA Device Plug with Latch. [87703](#) Serial ATA Device Plug without Jumper. [87799](#) Serial ATA Device Plug with Jumper

Surface Mount Compatible (SMC)	Yes
Temperature Range - Operating	0° to +55°C
Termination Interface: Style	Surface Mount
Waterproof / Dustproof	No
Wire Size AWG	N/A

Electrical

Current - Maximum per Contact	1.5A
Shielded	No
Voltage - Maximum	30V

Solder Process Data

Duration at Max. Process Temperature (seconds)	010
Lead-free Process Capability	REFLOW
Max. Cycles at Max. Process Temperature	001
Process Temperature max. C	260

Material Info**Reference - Drawing Numbers**

Electrical Model Document	EE-78012-002-001, EE-78164-001-001, EE-78695-002-001, EE-87824-002-001, EE-87824-003-001
Packaging Specification	PK-87824-001-001
Product Specification	PS-87824-029-001
S-Parameter Model	SP-78012-002-001, SP-78164-001-001, SP-87824-003-001
Sales Drawing	SD-87824-031-001

This document was generated on 09/01/2021

PLEASE CHECK WWW.MOLEX.COM FOR LATEST PART INFORMATION

X-ON Electronics

Largest Supplier of Electrical and Electronic Components

Click to view similar products for [I/O Connectors](#) category:

Click to view products by [Molex](#) manufacturer:

Other Similar products are found below :

[571763P](#) [58098-0628](#) [72.250.1628.2](#) [72.250.2428.2](#) [74720-0505](#) [76.350.0729.0](#) [76871-1403](#) [FCN-244F080-G/1](#) [FCN-260A9920](#) [PCR-E36PM](#) [PCS-XE26MA+](#) [G38A71314B](#) [1571250010](#) [157-22500-3](#) [MS3471L14-19P L/C](#) [192991-0703](#) [172501-4002](#) [172501-6002](#) [FCN-260C008-A/L0](#) [FCN-260C024-AL0](#) [FCN-261Z008](#) [2000314-1](#) [200331-1](#) [PCR-E36FC+](#) [PCS-E28FS+](#) [PCS-XE26SLFD+](#) [PCS-XE26SLFDT+](#) [G730VID08BDC24](#) [U90B2054081210](#) [38113800006](#) [DP3AR020WQ1R200](#) [Z4.102.0680.0](#) [500-1040](#) [500-1052](#) [500-1054](#) [ZP-4008-66L](#) [0709821002](#) [DX40-20P\(55\)](#) [5554841-1](#) [MS3474W18-8P-LC*](#) [SM3106F14S-7S-LC](#) [U90B3054061110](#) [U65-E04-4020](#) [ZPF00000000097891](#) [747360449](#) [10099439-003C-TRLF](#) [10137239-0021LF](#) [E9320-001-01](#) [10137239-0011LF](#) [70289-001LF](#)