

PLEASE CHECK WWW.MOLEX.COM FOR LATEST PART INFORMATION

Part Number: [0878630015](#)
Status: **Active**
Overview: Serial Attached SCSI (SAS) Connectors
Description: 1.27mm Signal Pitch, 0.80mm SCSI Pitch, 1.27mm Power Pitch SAS-2 Receptacle, Vertical, Press fit, 2.70mm Tail Length, 29 Circuits, Lead-Free

Documents:

| | |
|--------------------------------|--|
| 3D Model | Product Specification PS-87863-060-001 (PDF) |
| Drawing (PDF) | Packaging Specification PK-87863-001-001 (PDF) |
| 3D Model (PDF) | RoHS Certificate of Compliance (PDF) |

Agency Certification

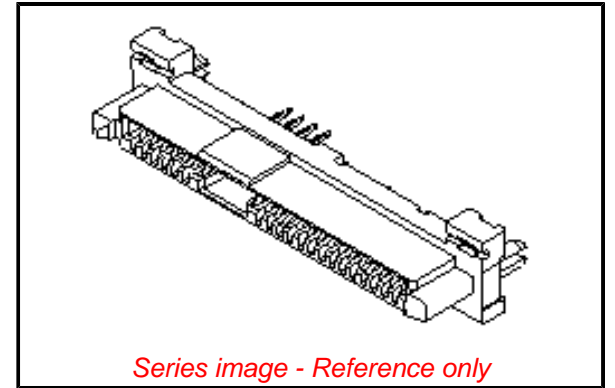
| | |
|-----|---------|
| CSA | LR19980 |
| UL | E29179 |

General

| | |
|----------------|--|
| Product Family | I/O Connectors |
| Series | 87863 |
| Application | Board-to-Board |
| Comments | No pick and place cap |
| Component Type | Receptacle |
| Overview | <u>Serial Attached SCSI (SAS) Connectors</u> |
| Product Name | SAS 6G, SAS-2 |
| Type | N/A |
| UPC | 822348828012 |

Physical

| | |
|--------------------------------|--------------------------------|
| Boot Color | N/A |
| Circuits (Loaded) | 29 |
| Circuits (maximum) | 29 |
| Circuits Detail | Signal 14, Power 15 |
| Color - Resin | Black |
| Durability (mating cycles max) | 500 |
| Flammability | 94V-0 |
| Gender | Female |
| Keying to Mating Part | Yes |
| Lock to Mating Part | None |
| Material - Metal | Phosphor Bronze |
| Material - Plating Mating | Gold |
| Material - Plating Termination | Tin |
| Material - Resin | High Temperature Thermoplastic |
| Net Weight | 1.589/g |
| Number of Rows | 2 |
| Orientation | Vertical |
| PC Tail Length | 2.20mm, 2.70mm |
| PCB Locator | Yes |
| PCB Retention | Yes |
| PCB Thickness - Recommended | 2.29mm, 3.18mm |
| Packaging Type | Tray |
| Panel Mount | Yes |
| Pitch - Mating Interface | 0.80mm, 1.27mm |
| Pitch - Termination Interface | 0.80mm, 1.27mm |
| Plating min - Mating | 0.762µm |
| Plating min - Termination | 2.540µm |
| Polarized to Mating Part | Yes |
| Polarized to PCB | Yes |
| Surface Mount Compatible (SMC) | N/A |



EU ELV

Not Relevant

EU RoHS

Compliant

REACH SVHC

Not Contained Per -
D(2021)4569-DC (8
July 2021)

Halogen-Free

Status

Low-Halogen

For more information, please visit [Contact US](#)

China ROHS

ELV

RoHS Phthalates

China RoHS

Green Image

Not Relevant

Not Contained

Search Parts in this Series

[87863 Series](#)

Mates With

[87679](#) , [87799](#) , [87703](#) , SFF 8482 Hard
Disk Drive and Backplane Plug

| | |
|-------------------------------|------------------------------|
| Temperature Range - Operating | 0° to +55°C |
| Termination Interface: Style | Through Hole - Compliant Pin |
| Waterproof / Dustproof | No |
| Wire Size AWG | N/A |

Electrical

| | |
|-------------------------------|------|
| Current - Maximum per Contact | 1.5A |
| Shielded | No |
| Voltage - Maximum | 30V |

Solder Process Data

| | |
|------------------------------|-----|
| Lead-free Process Capability | N/A |
|------------------------------|-----|

Material Info**Reference - Drawing Numbers**

| | |
|---------------------------|---|
| Electrical Model Document | EE-87863-001-001, EE-87863-002-001, EE-87863-003-001, EE-87863-004-001, EE-87863-005-001, EE-87863-006-001, EE-87863-007-001, EE-87863-008-001 |
| Packaging Specification | PK-87863-001-001 |
| Product Specification | PS-87863-060-001 |
| Sales Drawing | SD-87863-059-001 |

This document was generated on 01/28/2022

PLEASE CHECK WWW.MOLEX.COM FOR LATEST PART INFORMATION

X-ON Electronics

Largest Supplier of Electrical and Electronic Components

Click to view similar products for [I/O Connectors](#) category:

Click to view products by [Molex](#) manufacturer:

Other Similar products are found below :

[571763P](#) [58098-0628](#) [72.250.1628.2](#) [72.250.2428.2](#) [74720-0505](#) [76.350.0729.0](#) [76871-1403](#) [FCN-244F080-G/1](#) [FCN-260A9920](#) [PCR-E36PM](#) [PCS-XE26MA+](#) [G38A71314B](#) [1571250010](#) [157-22500-3](#) [MS3471L14-19P L/C](#) [192991-0703](#) [172501-4002](#) [172501-6002](#) [FCN-260C008-A/L0](#) [FCN-260C024-AL0](#) [FCN-261Z008](#) [2000314-1](#) [200331-1](#) [PCR-E36FC+](#) [PCS-E28FS+](#) [PCS-XE26SLFD+](#) [PCS-XE26SLFDT+](#) [G730VID08BDC24](#) [U90B2054081210](#) [UE86K842720321](#) [38113800006](#) [DP3AR020WQ1R200](#) [Z4.102.0680.0](#) [500-1040](#) [500-1052](#) [500-1054](#) [ZP-4008-66L](#) [0709821002](#) [DX40-20P\(55\)](#) [5554841-1](#) [MS3474W18-8P-LC*](#) [U90B3054061110](#) [U65-E04-4020](#) [ZPF00000000097891](#) [747360449](#) [10099439-003C-TRLF](#) [10137239-0021LF](#) [E9320-001-01](#) [10137239-0011LF](#) [70289-001LF](#)