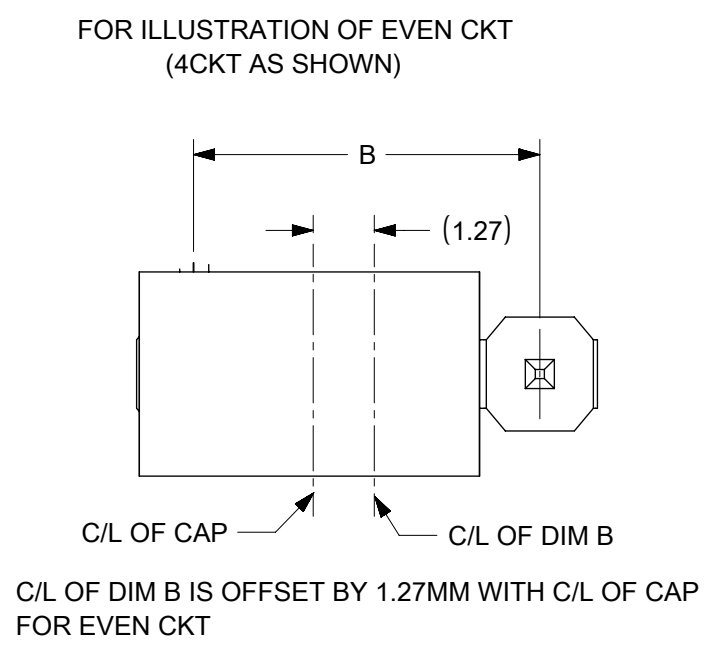
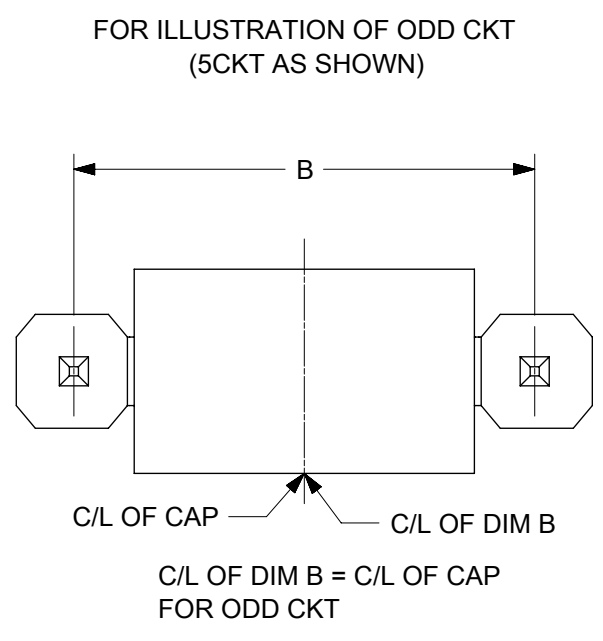
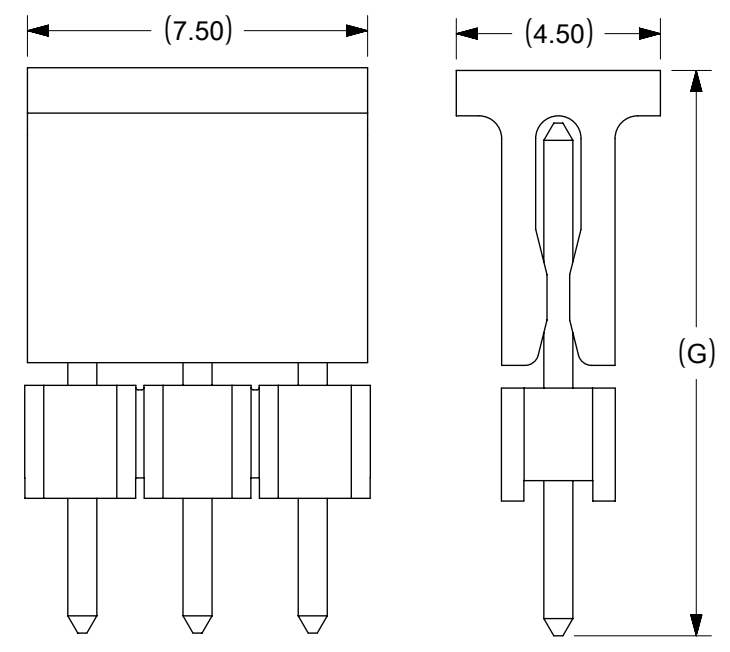


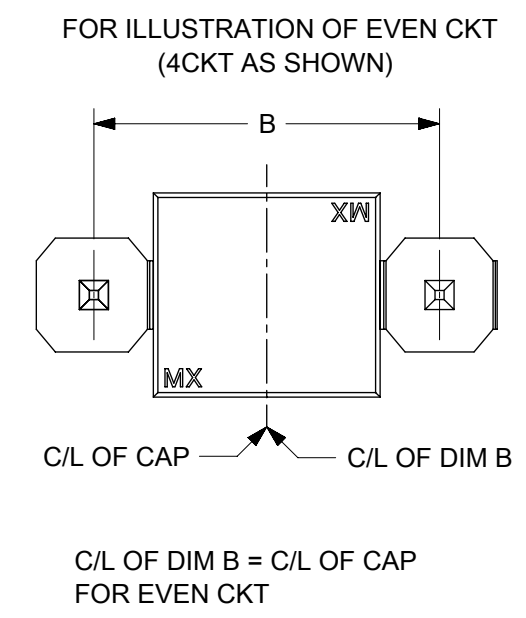
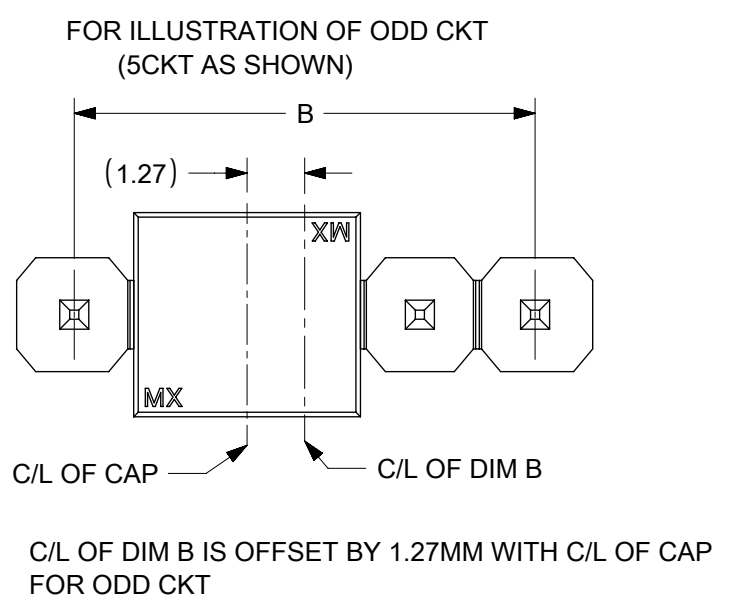
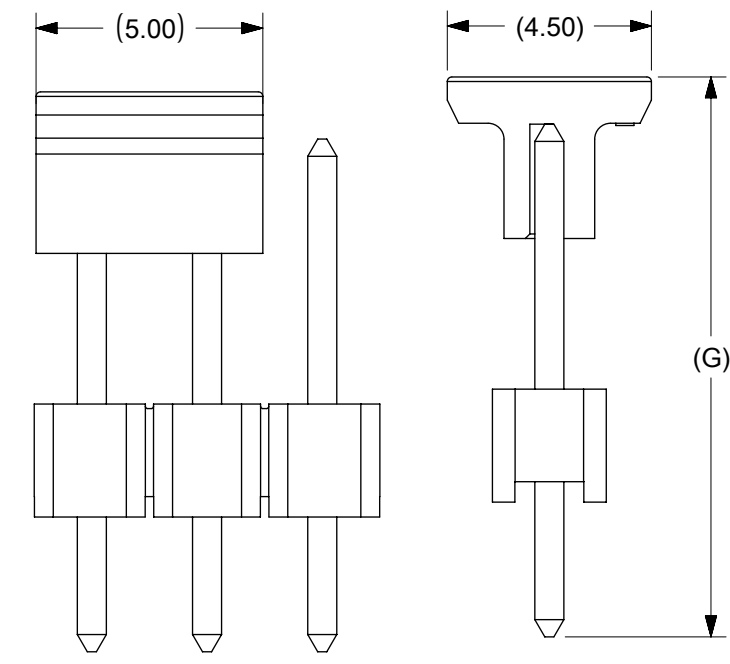
- NOTES
- MATERIAL:
HSG: NYLON, GLASS-FILLED, UL94V-0 COLOR: BLACK
PIN: 0.64MM SQ, COPPER ALLOY
 - PLATING TYPE:
 - GOLD FLASH OVER
1.25µm MIN. NICKEL OVERALL.
 - GOLD FLASH ON CONTACT AND
2.50µm MIN. TIN ON SOLDER TAIL OVER
1.25µm MIN. NICKEL OVERALL.
 - 0.38µm MIN. GOLD PLATE ON CONTACT AND
2.00µm MIN. TIN ON SOLDER TAIL OVER
1.25µm MIN. NICKEL OVERALL.
 - 0.75µm MIN. GOLD PLATE ON CONTACT AND
2.00µm MIN. TIN ON SOLDER TAIL OVER
1.25µm MIN. NICKEL OVERALL.
 - 2.50µm MIN TIN OVERALL
1.25µm MIN NICKEL OVERALL
 - PRODUCT SPECIFICATION: PS-87920-019
 - PACKAGING TYPE: SEE TABLE
 - WAFER TO BE FLAT WITHIN 0.003 mm/mm
 - RECOMMENDED PCB THICKNESS IS 1.60mm ± 0.10
 ⚠ IRREGULAR CIRCUIT CUTOFF WITHIN BREAKAWAY SECTION IS PERMISSIBLE. CUTTING OR CHIPPING OF THE MAIN BODY IS NOT ACCEPTABLE
 - THE ABOVE CKT 6 IS FOR ILLUSTRATION PURPOSE ONLY
 - PACKAGING SPECIFICATION:
 - TRAY: PK-89990-489
 - BULK: PK-89990-491
 - T&R : PK-87898-400
 - TUBE: PK-89990-934
 - REFER SHEET 2 FOR CAP LOCATION.

FUNCTIONAL SYMBOLS FA = 0 FE = 0 FP = 0	THIS DRAWING CONTAINS INFORMATION THAT IS PROPRIETARY TO MOLEX ELECTRONIC TECHNOLOGIES, LLC AND SHOULD NOT BE USED WITHOUT WRITTEN PERMISSION		CURRENT REV DESC: PIN ADDED IN TABLE			
	DIMENSION UNITS: mm		SCALE: NTS			CUSTOM HEADER 2.54MM PITCH, SINGLE ROW SINGLE WAFER, T/H HEADER
	GENERAL TOLERANCES (UNLESS SPECIFIED)					
	DIVISIONAL SYMBOLS		EC NO: 670360			PRODUCT CUSTOMER DRAWING DOCUMENT NUMBER: SD-87891-001 DOC TYPE: PSD DOC PART: 000 REVISION: D17
4 PLACES ±		DRWN: VIJAYS4 2021/07/07				
3 PLACES ±		CHK'D: ABABUPS 2021/07/15		MATERIAL NUMBER: SEE TABLE CUSTOMER: GENERAL MARKET SHEET NUMBER: 1 OF 4		
2 PLACES ± 0.2		APPR: MRAMAKRISHNA 2021/07/15				
1 PLACE ±		INITIAL REVISION:				
0 PLACES ±		DRWN: KCHO 2004/03/24				
ANGULAR TOL ± 3.0°		APPR: SLOW 2004/04/08				
DRAFT WHERE APPLICABLE MUST REMAIN WITHIN DIMENSIONS		THIRD ANGLE PROJECTION	DRAWING: A3-SIZE	SERIES: 87891		

CAP INFORMATION- CAP OPTION A



CAP INFORMATION- CAP OPTION B



FUNCTIONAL SYMBOLS	THIS DRAWING CONTAINS INFORMATION THAT IS PROPRIETARY TO MOLEX ELECTRONIC TECHNOLOGIES, LLC AND SHOULD NOT BE USED WITHOUT WRITTEN PERMISSION		CURRENT REV DESC: PIN ADDED IN TABLE		
	$\nabla_A = 0$ $\nabla_F = 0$ $\nabla_P = 0$	DIMENSION UNITS: mm SCALE: NTS	GENERAL TOLERANCES (UNLESS SPECIFIED)		
DIVISIONAL SYMBOLS	4 PLACES ± ± 3 PLACES ± ± 2 PLACES ± 0.2 ± 1 PLACE ± ± 0 PLACES ± ±		EC NO: 670360 DRWN: VIJAYS4 CHK'D: ABABUPS APPR: MRAMAKRISHNA		PRODUCT CUSTOMER DRAWING
	ANGULAR TOL ± 3.0° DRAFT WHERE APPLICABLE MUST REMAIN WITHIN DIMENSIONS		INITIAL REVISION: DRWN: KCHO APPR: SLOW		DOCUMENT NUMBER: SD-87891-001 DOC TYPE: PSD DOC PART: 000 REVISION: D17
		THIRD ANGLE PROJECTION	DRAWING: A3-SIZE	SERIES: 87891	MATERIAL NUMBER: SEE TABLE
			CUSTOMER: GENERAL MARKET		SHEET NUMBER: 2 OF 4

CKT SIZE	DIMENSION		ASSY W/CAP IN T&R	ASSY W/O CAP IN T&R	ASSY W/O CAP IN TUBE	ASSY W/CAP IN TUBE	PART NO. W/O CAP IN TRAY PACKAGING	PART NO. IN BULK PACKAGING	CKT SIZE	VOID PIN	KINK PIN	(G)	DIMENSION			PLATING TYPE	CAP OPTION	REMARKS
	A	B											OAL	MATING END	SOLDIER TAIL			
01	2.54	---											(F)	M	P			
02	5.08	2.54					87891-0108	-	01	-	-	-	10.80	5.08	3.23	5	-	-
03	7.62	5.08					87891-1017	-	01	-	-	-	12.29	6.80	3.00	3	-	-
04	10.16	7.62					87891-0200	-	02	-	-	-	11.76	6.09	3.18	5	-	-
05	12.70	10.16					87891-0205	-	02	-	-	-	11.30	5.84	2.97	4	-	-
06	15.24	12.70					87891-0206	-	02	-	-	-	11.30	5.84	2.97	5	-	-
07	17.78	15.24					87891-0211	-	02	-	-	-	11.30	5.84	2.97	5	-	-
08	20.32	17.78					87891-0207	-	02	-	-	-	9.80	4.00	3.31	5	-	-
09	22.86	20.32					87891-0208	-	02	-	-	-	7.49	4.00	1.00	2	-	-
10	25.40	22.86					87891-0209	-	02	-	-	-	10.80	5.08	3.23	5	-	-
11	27.94	25.40					87891-0210	-	02	-	-	-	31.00	25.54	2.97	5	-	-
12	30.48	27.94					87891-0216	-	02	-	-	-	7.29	2.40	2.40	5	-	-
13	33.02	30.48					87891-0212	-	02	-	-	-	18.37	12.68	3.20	5	-	-
14	35.56	33.02					87891-0211	-	02	-	-	-	26.49	20.80	3.20	5	-	-
15	38.10	35.56					87891-0214	-	02	-	-	-	19.49	13.00	4.00	5	-	-
16	40.64	38.10					87891-0215	-	02	-	-	14.98	13.98	7.49	4.00	5	A	-
17	43.18	40.64					87891-0213	-	02	-	-	-	12.14	5.84	3.81	4	-	-
18	45.72	43.18					87891-0306	-	03	-	-	-	11.30	5.84	2.97	5	-	-
19	48.26	45.72					87891-0308	-	03	-	-	-	11.30	5.84	2.97	5	-	-
20	50.80	48.26					87891-0307	-	03	-	-	-	22.73	18.74	1.50	5	-	-
21	53.34	50.80					87891-0003	-	03	2	-	-	13.72	9.65	1.78	6	-	-
22	55.88	53.34					87891-0312	-	03	-	-	-	11.30	5.84	2.97	4	-	-
23	58.42	55.88					87891-0311	-	03	-	-	12.34	11.30	5.84	2.97	5	B	REFER RPK-87891-0311 (FOR 87891-0311)
24	60.96	58.42					87891-0313	-	03	-	-	12.34	11.30	5.84	2.97	5	B	-
25	63.50	60.96					-	-	03	-	-	-	6.49	2.00	2.00	5	-	-
26	66.04	63.50					87891-0402	-	04	2	-	-	10.80	5.89	2.41	5	-	-
27	68.58	66.04					87891-0004	-	04	-	-	-	35.10	29.71	3.10	6	-	-
28	71.12	68.58					87891-0411	-	04	-	-	-	10.09	4.00	3.60	5	-	-
29	73.66	71.12					87891-0407	-	04	-	-	-	9.80	4.00	3.31	5	-	-
30	76.20	73.66					87891-0408	-	04	-	-	-	31.00	25.54	2.97	5	-	-
31	78.74	76.20					87891-0418	-	04	-	-	-	12.14	6.75	2.90	5	-	REFER 878910418-RPK (FOR 87891-0418)
32	81.28	78.74					87891-0417	-	04	-	-	16.31	15.11	9.01	3.61	5	A	-
33	83.82	81.28					87891-0432	-	04	-	-	-	18.03	13.54	2.00	5	-	-
34	86.36	83.82					87891-0430	-	04	-	-	-	13.09	8.00	2.80	5	A	-
35	88.90	86.36					87891-0500	-	05	-	-	-	11.94	6.10	3.30	5	-	-
36	91.44	88.90					87891-0505	-	05	-	-	-	11.94	6.10	3.30	5	-	-
37	93.98	91.44																
38	96.52	93.98																
39	99.06	96.52																
40	101.60	99.06																

DOCUMENT STATUS | P1 | RELEASE DATE | 2021/07/15 | 10:39:19

FUNCTIONAL SYMBOLS	THIS DRAWING CONTAINS INFORMATION THAT IS PROPRIETARY TO MOLEX ELECTRONIC TECHNOLOGIES, LLC AND SHOULD NOT BE USED WITHOUT WRITTEN PERMISSION	CURRENT REV DESC: PIN ADDED IN TABLE		molex									
	FUNCTIONAL DIMENSION UNITS	SCALE	GENERAL TOLERANCES (UNLESS SPECIFIED)					CUSTOM HEADER 2.54MM PITCH, SINGLE ROW SINGLE WAFER, T/H HEADER					
	$\nabla_A = 0$	mm	NTS	MM		INCH		PRODUCT CUSTOMER DRAWING					
	$\nabla_F = 0$	4 PLACES ±	3 PLACES ±	2 PLACES ±	0.2	1 PLACE ±	0 PLACES ±	INITIAL REVISION:		DOCUMENT NUMBER	DOC TYPE	DOC PART	REVISION
	$\nabla_P = 0$	ANGULAR TOL ± 3.0°	DRAFT WHERE APPLICABLE MUST REMAIN WITHIN DIMENSIONS		THIRD ANGLE PROJECTION		DRAWING	SERIES	MATERIAL NUMBER	CUSTOMER	SHEET NUMBER		

SD-87891-001 | PSD | 000 | D17

SEE TABLE | GENERAL MARKET | 3 OF 4

F	ASSY W/CAP IN T&R	ASSY W/O CAP IN T&R	ASSY W/O CAP IN TUBE	ASSY W/CAP IN TUBE	PART NO. W/O CAP IN TRAY PACKAGING	PART NO. IN BULK PACKAGING	CKT SIZE	VOID PIN	KINK PIN	(G)			PLATING TYPE	CAP OPTION	REMARKS	
											OAL	MATING END				
											(F)	M				
-	-	-	-	-	87891-0501	-	05	-	-	-	13.62	8.08	3.05	5	-	-
-	-	-	-	-	87891-0502	-	05	2	-	-	10.80	5.89	2.41	5	-	-
-	-	-	-	-	87891-0503	-	05	2	-	-	45.00	13.51	29.00	5	-	-
-	-	-	-	-	87891-0504	-	05	2	-	-	45.00	13.51	29.00	3	-	-
-	-	-	-	-	87891-0507	-	05	4	-	-	10.92	5.84	2.59	3	-	-
-	-	-	-	-	-	87891-0508	05	2,4	-	-	11.38	5.84	3.05	5	-	-
-	-	-	-	-	87891-0522	-	05	2&4	-	-	19.49	13.00	4.00	5	-	-
-	-	-	-	-	87891-0516	-	05	-	-	-	32.49	16.00	14.00	4	-	-
-	-	-	-	-	87891-0517	-	05	-	-	-	23.62	17.32	3.81	5	-	-
-	-	-	-	-	87891-0523	-	05	-	-	-	7.29	2.40	2.40	5	-	-
-	87891-0521	-	-	-	-	-	05	-	-	10.10	9.89	2.80	4.60	5	A	-
-	-	-	-	-	87891-0601	-	06	-	-	-	11.30	5.84	2.97	1	-	-
-	-	-	-	-	87891-0602	-	06	-	-	-	12.80	8.00	2.31	5	-	-
-	-	-	-	-	87891-0606	-	06	-	-	-	11.30	5.84	2.97	5	-	-
-	-	-	-	-	87891-0610	-	06	-	-	-	11.30	5.84	2.97	5	-	-
-	-	-	-	-	87891-0607	-	06	-	-	-	13.75	8.08	3.18	5	-	-
-	-	-	-	-	87891-0608	-	06	-	-	-	18.03	13.54	2.00	5	-	-
-	-	-	-	-	87891-0609	-	06	-	-	-	28.30	22.16	3.65	5	-	-
-	-	-	-	-	87891-0611	-	06	-	-	-	28.30	22.16	3.65	5	-	-
87891-0613	-	-	-	-	-	-	06	-	-	22.99	21.99	16.00	3.50	5	A	-
-	-	-	-	-	87891-0615	-	06	-	-	-	14.49	10.00	2.00	1	-	-
-	-	-	-	-	87891-0624	-	06	-	-	-	26.10	19.81	3.80	5	-	-
-	-	-	-	-	87891-0700	-	07	-	-	-	11.94	6.10	3.30	5	-	-
-	-	-	-	-	87891-0702	-	07	-	-	-	11.94	6.10	3.30	5	-	-
-	-	-	-	-	87891-0751	-	07	-	-	-	13.74	8.00	3.25	5	-	-
87891-0007	-	-	-	-	-	-	07	-	-	-	13.72	9.65	1.78	6	-	-
-	-	-	-	-	87891-0851	-	08	-	-	-	13.74	8.00	3.25	5	-	-
87891-0807	-	-	-	-	-	-	08	-	-	13.59	12.59	7.90	2.20	5	A	-
-	-	-	-	-	87891-0808	-	08	-	-	-	20.53	13.72	4.32	3	-	-
-	-	-	-	-	87891-0809	-	08	-	-	-	11.30	5.84	2.97	5	-	-
-	-	-	-	-	-	87891-2601	26	4,7,17	-	-	11.13	5.59	3.05	3	-	-
87891-1817	-	-	-	-	-	-	18	-	-	18.36	17.20	13.21	1.50	5	A	-
87891-1819	-	-	-	-	-	-	18	-	-	18.36	17.20	13.21	1.50	5	A	-
87891-1818	-	-	-	-	-	-	18	-	-	18.36	17.20	13.21	1.50	3	A	-
-	-	-	-	-	87891-2007	-	20	-	-	-	21.49	9.50	9.50	1	-	-
87891-2817	-	-	-	-	-	-	28	-	-	18.36	17.20	13.21	1.50	5	A	-
87891-2819	-	-	-	-	-	-	28	-	-	18.36	17.20	13.21	1.50	5	A	-
87891-2818	-	-	-	-	-	-	28	-	-	18.36	17.20	13.21	1.50	3	A	-
-	-	-	-	-	-	87891-3007	30	-	-	-	11.30	5.84	2.97	5	-	-
-	-	-	-	-	-	87891-3600	36	-	-	-	11.56	6.09	3.18	2	-	-
-	-	-	-	-	-	87891-4008	40	-	-	-	11.30	5.84	2.97	5	-	-
-	-	87891-4007	-	-	-	-	40	-	-	-	12.14	5.84	3.81	3	-	-

D17

D17

D17

D17

D17

D17

FUNCTIONAL SYMBOLS										THIS DRAWING CONTAINS INFORMATION THAT IS PROPRIETARY TO MOLEX ELECTRONIC TECHNOLOGIES, LLC AND SHOULD NOT BE USED WITHOUT WRITTEN PERMISSION									
$\nabla_A = 0$ $\nabla_F = 0$ $\nabla_P = 0$					DIMENSION UNITS: mm SCALE: NTS GENERAL TOLERANCES (UNLESS SPECIFIED): 4 PLACES: ± 3 PLACES: ± 2 PLACES: ± 0.2 1 PLACE: ± 0 PLACES: ± ANGULAR TOL: ± 3.0°					CURRENT REV DESC: PIN ADDED IN TABLE EC NO: 670360 DRWN: VIJAYS4 CHK'D: ABABUPS APPR: MRAMAKRISHNA INITIAL REVISION: DRWN: KCHO APPR: SLOW					2021/07/07 2021/07/15 2021/07/15 2004/03/24 2004/04/08				
DIVISIONAL SYMBOLS										CUSTOMER: GENERAL MARKET PRODUCT CUSTOMER DRAWING DOCUMENT NUMBER: SD-87891-001 DOC TYPE: PSD DOC PART: 000 REVISION: D17 SHEET NUMBER: 4 OF 4									
DRAFT WHERE APPLICABLE MUST REMAIN WITHIN DIMENSIONS										THIRD ANGLE PROJECTION DRAWING: A3-SIZE SERIES: 87891 MATERIAL NUMBER: SEE TABLE									
DOCUMENT STATUS: P1 RELEASE DATE: 2021/07/15 10:39:19																			

X-ON Electronics

Largest Supplier of Electrical and Electronic Components

Click to view similar products for [Headers & Wire Housings](#) category:

Click to view products by [Molex](#) manufacturer:

Other Similar products are found below :

[892-18-020-10-001101](#) [58102-G61-06LF](#) [582553-1](#) [0009485154](#) [009176003701906](#) [0050291907](#) [LY20-4P-DT1-P1E-BR](#) [02.125.8002.8](#)
[609-3404](#) [61062-3](#) [622-0430](#) [622-3653LF](#) [63453-116](#) [636-1030](#) [636-1427](#) [636-3427](#) [636-4007](#) [641938-9](#) [641991-4](#) [644827-2](#) [65817-010LF](#)
[65817-015LF](#) [65863-015LF](#) [66207-023LF](#) [67095-007LF](#) [67601157](#) [68648-049](#) [70.362.1628.0](#) [70-4210](#) [70-4226B](#) [70-4853B](#) [707-5020](#) [707-](#)
[5028](#) [71.350.2428.0](#) [71918-208LF](#) [71961-016LF](#) [733-134](#) [733-162](#) [754199-000](#) [760-3052](#) [787-8014-00](#) [79531-3000](#) [FCN-360C032-B](#) [FCN-](#)
[367T-T012/H](#) [FCN-723D010/2](#) [80.063.4001.1](#) [800-90-001-10-001000](#) [800-90-010-10-002000](#) [801-43-002-10-013000](#) [801-43-006-10-002000](#)