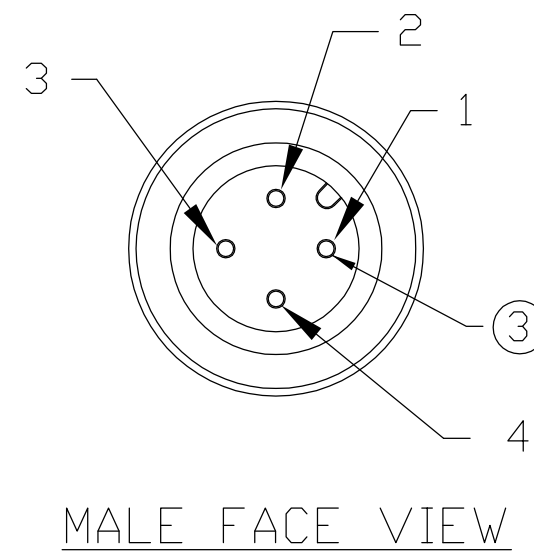
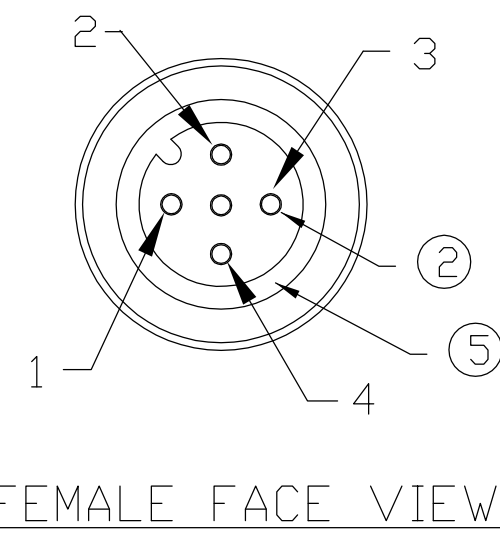
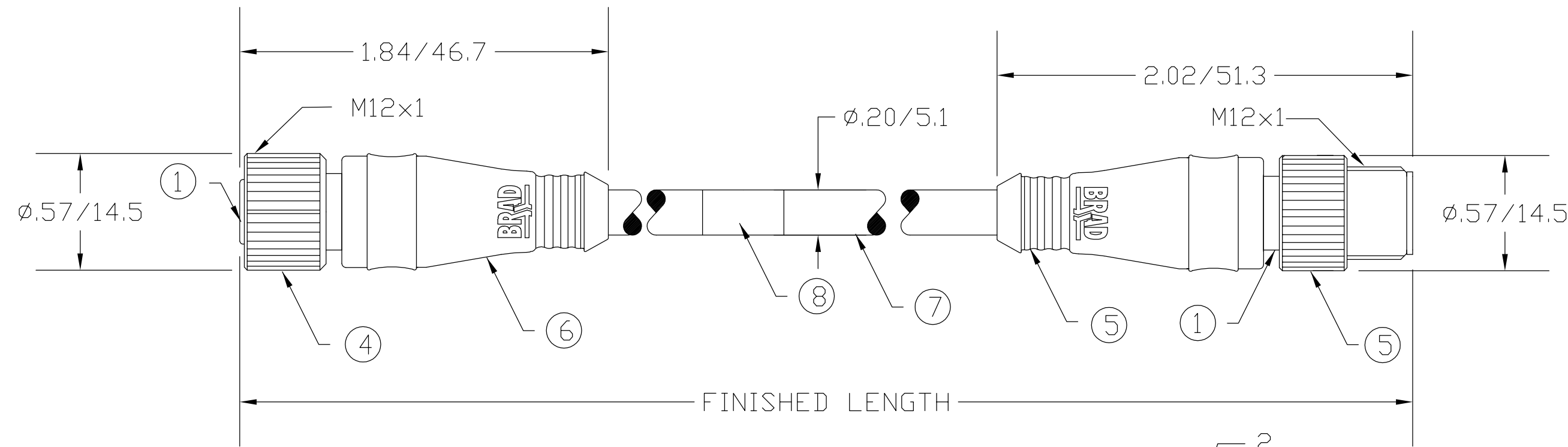
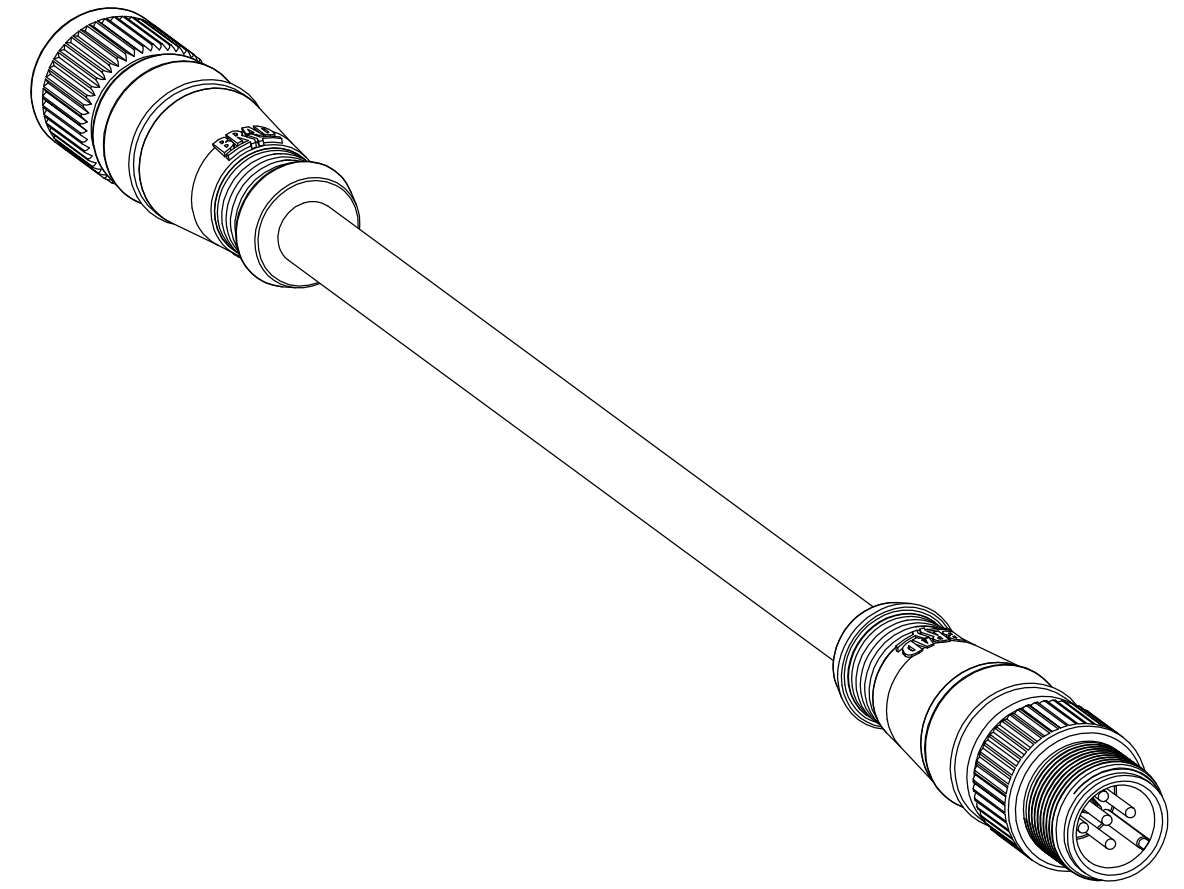


MATERIAL NUMBER	OLD PART NUMBER	FINISHED LENGTH
120066-0259	884030A09M003	.98' +.75" -0 [1.3M +19.1 -0]
120066-0262	884030A09M006	1.97' +1.75" -0 [1.6M +44.5 -0]
120066-0266	884030A09M010	3.27' +2.19" -0 [1.0M +55.6 -0]
120066-0271	884030A09M020	6.56' +3.50" -0 [2.0M +88.9 -0]
120066-0277	884030A09M030	9.84' +3.50" -0 [3.0M +88.9 -0]
120066-0279	884030A09M040	13.12' +6.50" -0 [4.0M +165.1 -0]
120066-0284	884030A09M050	16.40' +6.50" -0 [5.0M +165.1 -0]
120066-0297	884030A09M100	32.81' +12.50" -0 [10.0M +317.5 -0]
120066-0313	884030A09M200	65.62' +24.50" -0 [20.0M +622.3 -0]



1	BROWN	1
2	WHITE	2
3	BLUE	3
4	BLACK	4

WIRING DIAGRAM

VOLTAGE RATING	250 VAC/VDC
AMPERAGE RATING	4 AMPS
PROTECTION	IP67
OPERATING TEMPERATURE	-20°C TO 105°C
UL CERTIFICATIONS	UL RECOGNIZED, FILE NO. E152210
CSA CERTIFICATIONS	CSA CERTIFIED, FILE NO. LR6837

ITEM	COMPONENT	MATERIAL	FINISH
1	INSERT	PUR	BLACK
2	CONTACT SOCKET	COPPER ALLOY	GOLD OVER NICKEL
3	CONTACT PIN	COPPER ALLOY	GOLD OVER NICKEL
4	COUPLING NUT	BRASS	NICKEL PLATED
5	O-RING	VITON	RED
6	OVERMOLD	PUR	YELLOW
7	CABLE-22 AWG, 26 x #36 COPPER STRANDING, 4 CONDUCTOR, 300V	PVC	YELLOW
8	LABEL	MYLAR	BLACK/YELLOW

RLSO DRAWING EC NO: WNA2009-0631 DRWN: BWOODMAN 3/27/09 CH'KD: JM APPR: JFMURPHY 2009/04/01	QUALITY SYMBOL ▽=0 ▽C=0	GENERAL TOLERANCES (UNLESS SPECIFIED) <table border="1"> <tr> <td></td> <td>mm</td> <td>INCH</td> </tr> <tr> <td>4 PLACES</td> <td>±---</td> <td>±---</td> </tr> <tr> <td>3 PLACES</td> <td>±---</td> <td>±---</td> </tr> <tr> <td>2 PLACES</td> <td>±---</td> <td>±.01</td> </tr> <tr> <td>1 PLACE</td> <td>±0.3</td> <td>±---</td> </tr> </table>		mm	INCH	4 PLACES	±---	±---	3 PLACES	±---	±---	2 PLACES	±---	±.01	1 PLACE	±0.3	±---	DIMENSION STYLE IN/MM DRAWN BY: BW DATE: 2009/03/27 CHECKED BY: TW DATE: 2009/03/27 APPROVED BY: DATE:	SCALE: --- DESIGN UNITS: --- THIRD ANGLE PROJECTION
		mm	INCH																
	4 PLACES	±---	±---																
	3 PLACES	±---	±---																
2 PLACES	±---	±.01																	
1 PLACE	±0.3	±---																	
DRAFT WHERE APPLICABLE MUST REMAIN WITHIN DIMENSIONS		MATERIAL NO. SEE CHART SIZE C	TITLE: MICRO-CHANGE CORDSET 4 POLE MALE/FEMALE PVC CABLE MOLEX INCORPORATED DOCUMENT NO. SD-120066-005 SHEET NO. 1 OF 1																
THIS DRAWING CONTAINS INFORMATION THAT IS PROPRIETARY TO MOLEX INCORPORATED AND SHOULD NOT BE USED WITHOUT WRITTEN PERMISSION																			

X-ON Electronics

Largest Supplier of Electrical and Electronic Components

Click to view similar products for [Molex manufacturer:](#)

Other Similar products are found below :

[1201140065](#) [90814-0008](#) [38210-0105](#) [60506-C-50](#) [69008-0971](#) [73108](#) [79516-1043](#) [72903](#) [2002181200](#) [0982660216](#) [68301-1017](#)
[03-12-1016](#) [71506-C](#) [90835-0003](#) [02-09-8104](#) [880504](#) [67490-3220](#) [53254-0710](#) [85071-0017](#) [70984-4008](#) [03-12-2022](#) [89674-0805](#)
[514412093](#) [0151340501](#) [54596-1010](#) [0191310031](#) [503308-4410](#) [02-09-6102](#) [0039000218](#) [89762-1582](#) [0011404526](#) [00136](#) [0022173102](#)
[0026615060](#) [CR4006A30M003](#) [0039532085](#) [58098-0628](#) [0003092041](#) [0008520123](#) [0011030025](#) [0011184017](#) [0022162060](#) [0039302050](#)
[0194180018](#) [01312](#) [M15730061](#) [61432](#) [6150300002](#) [CS63W64](#) [CS8264N](#)