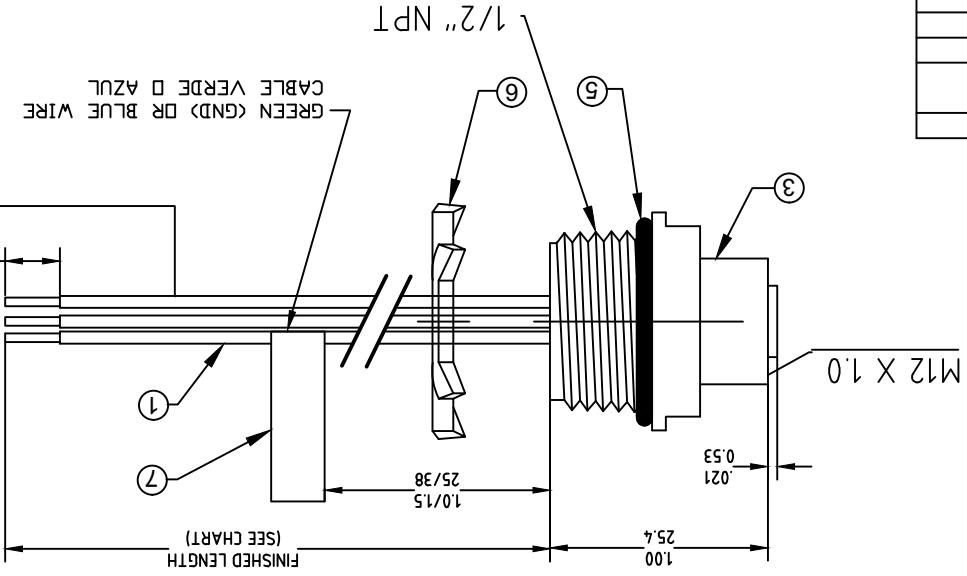
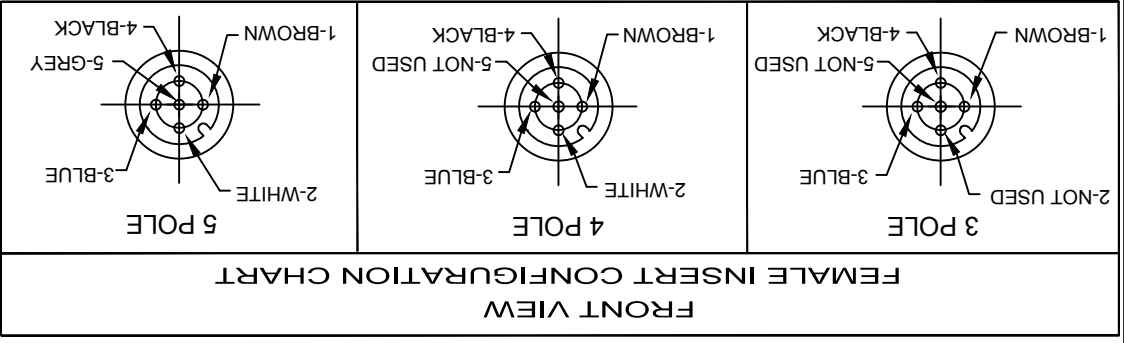
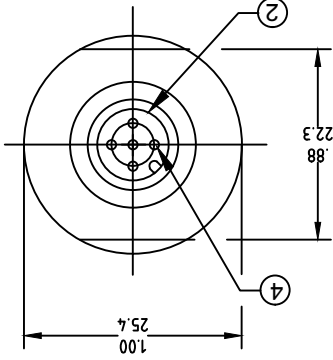


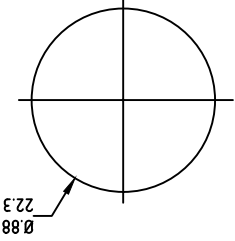
ITEM	COMPONENT	MATERIAL	FINISH
1	CONDUCTOR - 18 AWG	PVC	SEE WIRING DIAGRAM
2	MALE INSERT	NYLON	BLACK
3	SHELL FM M2X1	DIE CAST ZINC	NICKEL PLATED
4	CONTACT SOCKET	COPPER ALLOY	GOLD OVER NICKEL
5	O-RING	VITON	BLACK
6	LOCKNUT	STEEL	ZINC PLATED
7	LABEL	MYLAR	BLACK/YELLOW

VOLTAGE RATING 3 - 4 PIN	250V per IEC 60664
VOLTAGE RATING 5 PIN	60V per IEC 60664
AMPERAGE RATING	4 AMPS
PROTECTION	IP67
OPERATING TEMPERATURE	-20°C TO 80°C
UL CERTIFICATIONS	UL LISTED, FILE NO. E152210
CSA CERTIFICATIONS	CSA CERTIFIED, FILE NO. LR6837

CONNECTOR SPECIFICATION:



PVC WIRE, 0.34mm (SEE TABLE FOR COLOURS)



KNOCKOUT HOLE

QUALITY	SYMBOLS	GENERAL TOLERANCES (UNLESS SPECIFIED)	DIMENSION STYLE	SCALE	DESIGN UNITS	THIRD ANGLE PROJECTION
QUALITY	SYMBOLS	GENERAL TOLERANCES (UNLESS SPECIFIED)	DIMENSION STYLE	SCALE	DESIGN UNITS	THIRD ANGLE PROJECTION
1 PLACES	±0.3	±0.3	INCH	4:1	INCH	
2 PLACES	±0.1	±0.1	INCH/MM			
3 PLACES	±---	±---				
4 PLACES	±---	±---				

REVISION	DESCRIPTION	DATE	BY
A2	NEW SALES DOC	2016/09/21	BBRAUCH
	EG NO: IPG2017-0318	2016/09/21	
	DRWN: BBRAUCH	2016/09/21	
	CHKD: RSILLER	2016/09/21	
	APPR: RSILLER	2016/09/21	

DATE	BY	DESCRIPTION
2012/11/05	RSTONE	CHECKED BY
2012/11/28	KJOWIK	CHECKED BY
2013/02/07	JFMURPHY	APPROVED BY

DOCUMENT NO.	SEE CHART
SD-120070-043	SEE CHART

ENGINEERING NO.	MATERIAL NO.	FINISHED LENGTH
8R3000A16A120	8R3000A16A120	12.0" +.75"-0 (.3M +19mm-0)
8R4000A16M020	8R4000A16M020	6.7"+3.50"-0 (2M +88.9mm-0)
8R5000A16M010	8R5000A16M010	3.3"+2.19"-0 (1M +55.6mm-0)

POLE	MATERIAL NO.	FINISHED LENGTH
3	8R3000A16A120	12.0" +.75"-0 (.3M +19mm-0)
4	8R4000A16M020	6.7"+3.50"-0 (2M +88.9mm-0)
5	8R5000A16M010	3.3"+2.19"-0 (1M +55.6mm-0)

POLE	MATERIAL NO.	FINISHED LENGTH
3	8R3000A16A120	12.0" +.75"-0 (.3M +19mm-0)
4	8R4000A16M020	6.7"+3.50"-0 (2M +88.9mm-0)
5	8R5000A16M010	3.3"+2.19"-0 (1M +55.6mm-0)

POLE	MATERIAL NO.	FINISHED LENGTH
3	8R3000A16A120	12.0" +.75"-0 (.3M +19mm-0)
4	8R4000A16M020	6.7"+3.50"-0 (2M +88.9mm-0)
5	8R5000A16M010	3.3"+2.19"-0 (1M +55.6mm-0)

POLE	MATERIAL NO.	FINISHED LENGTH
3	8R3000A16A120	12.0" +.75"-0 (.3M +19mm-0)
4	8R4000A16M020	6.7"+3.50"-0 (2M +88.9mm-0)
5	8R5000A16M010	3.3"+2.19"-0 (1M +55.6mm-0)

POLE	MATERIAL NO.	FINISHED LENGTH
3	8R3000A16A120	12.0" +.75"-0 (.3M +19mm-0)
4	8R4000A16M020	6.7"+3.50"-0 (2M +88.9mm-0)
5	8R5000A16M010	3.3"+2.19"-0 (1M +55.6mm-0)

POLE	MATERIAL NO.	FINISHED LENGTH
3	8R3000A16A120	12.0" +.75"-0 (.3M +19mm-0)
4	8R4000A16M020	6.7"+3.50"-0 (2M +88.9mm-0)
5	8R5000A16M010	3.3"+2.19"-0 (1M +55.6mm-0)

POLE	MATERIAL NO.	FINISHED LENGTH
3	8R3000A16A120	12.0" +.75"-0 (.3M +19mm-0)
4	8R4000A16M020	6.7"+3.50"-0 (2M +88.9mm-0)
5	8R5000A16M010	3.3"+2.19"-0 (1M +55.6mm-0)

POLE	MATERIAL NO.	FINISHED LENGTH
3	8R3000A16A120	12.0" +.75"-0 (.3M +19mm-0)
4	8R4000A16M020	6.7"+3.50"-0 (2M +88.9mm-0)
5	8R5000A16M010	3.3"+2.19"-0 (1M +55.6mm-0)

POLE	MATERIAL NO.	FINISHED LENGTH
3	8R3000A16A120	12.0" +.75"-0 (.3M +19mm-0)
4	8R4000A16M020	6.7"+3.50"-0 (2M +88.9mm-0)
5	8R5000A16M010	3.3"+2.19"-0 (1M +55.6mm-0)

POLE	MATERIAL NO.	FINISHED LENGTH
3	8R3000A16A120	12.0" +.75"-0 (.3M +19mm-0)
4	8R4000A16M020	6.7"+3.50"-0 (2M +88.9mm-0)
5	8R5000A16M010	3.3"+2.19"-0 (1M +55.6mm-0)

POLE	MATERIAL NO.	FINISHED LENGTH
3	8R3000A16A120	12.0" +.75"-0 (.3M +19mm-0)
4	8R4000A16M020	6.7"+3.50"-0 (2M +88.9mm-0)
5	8R5000A16M010	3.3"+2.19"-0 (1M +55.6mm-0)

POLE	MATERIAL NO.	FINISHED LENGTH
3	8R3000A16A120	12.0" +.75"-0 (.3M +19mm-0)
4	8R4000A16M020	6.7"+3.50"-0 (2M +88.9mm-0)
5	8R5000A16M010	3.3"+2.19"-0 (1M +55.6mm-0)

POLE	MATERIAL NO.	FINISHED LENGTH
3	8R3000A16A120	12.0" +.75"-0 (.3M +19mm-0)
4	8R4000A16M020	6.7"+3.50"-0 (2M +88.9mm-0)
5	8R5000A16M010	3.3"+2.19"-0 (1M +55.6mm-0)

POLE	MATERIAL NO.	FINISHED LENGTH
3	8R3000A16A120	12.0" +.75"-0 (.3M +19mm-0)
4	8R4000A16M020	6.7"+3.50"-0 (2M +88.9mm-0)
5	8R5000A16M010	3.3"+2.19"-0 (1M +55.6mm-0)

POLE	MATERIAL NO.	FINISHED LENGTH
3	8R3000A16A120	12.0" +.75"-0 (.3M +19mm-0)
4	8R4000A16M020	6.7"+3.50"-0 (2M +88.9mm-0)
5	8R5000A16M010	3.3"+2.19"-0 (1M +55.6mm-0)

POLE	MATERIAL NO.	FINISHED LENGTH
3	8R3000A16A120	12.0" +.75"-0 (.3M +19mm-0)
4	8R4000A16M020	6.7"+3.50"-0 (2M +88.9mm-0)
5	8R5000A16M010	3.3"+2.19"-0 (1M +55.6mm-0)

POLE	MATERIAL NO.	FINISHED LENGTH
3	8R3000A16A120	12.0" +.75"-0 (.3M +19mm-0)
4	8R4000A16M020	6.7"+3.50"-0 (2M +88.9mm-0)
5	8R5000A16M010	3.3"+2.19"-0 (1M +55.6mm-0)

POLE	MATERIAL NO.	FINISHED LENGTH
3	8R3000A16A120	12.0" +.75"-0 (.3M +19mm-0)
4	8R4000A16M020	6.7"+3.50"-0 (2M +88.9mm-0)
5	8R5000A16M010	3.3"+2.19"-0 (1M +55.6mm-0)

POLE	MATERIAL NO.	FINISHED LENGTH
3	8R3000A16A120	12.0" +.75"-0 (.3M +19mm-0)
4	8R4000A16M020	6.7"+3.50"-0 (2M +88.9mm-0)
5	8R5000A16M010	3.3"+2.19"-0 (1M +55.6mm-0)

POLE	MATERIAL NO.	FINISHED LENGTH
3	8R3000A16A120	12.0" +.75"-0 (.3M +19mm-0)
4	8R4000A16M020	6.7"+3.50"-0 (2M +88.9mm-0)
5	8R5000A16M010	3.3"+2.19"-0 (1M +55.6mm-0)

POLE	MATERIAL NO.	FINISHED LENGTH
3	8R3000A16A120	12.0" +.75"-0 (.3M +19mm-0)
4	8R4000A16M020	6.7"+3.50"-0 (2M +88.9mm-0)
5	8R5000A16M010	3.3"+2.19"-0 (1M +55.6mm-0)

POLE	MATERIAL NO.	FINISHED LENGTH
3	8R3000A16A120	12.0" +.75"-0 (.3M +19mm-0)
4	8R4000A16M020	6.7"+3.50"-0 (2M +88.9mm-0)
5	8R5000A16M010	3.3"+2.19"-0 (1M +55.6mm-0)

POLE	MATERIAL NO.	FINISHED LENGTH
3	8R3000A16A120	12.0" +.75"-0 (.3M +19mm-0)
4	8R4000A16M020	6.7"+3.50"-0 (2M +88.9mm-0)
5	8R5000A16M010	3.3"+2.19"-0 (1M +55.6mm-0)

POLE	MATERIAL NO.	FINISHED LENGTH
3	8R3000A16A120	12.0" +.75"-0 (.3M +19mm-0)
4	8R4000A16M020	6.7"+3.50"-0 (2M +88.9mm-0)
5	8R5000A16M010	3.3"+2.19"-0 (1M +55.6mm-0)

POLE	MATERIAL NO.	FINISHED LENGTH
3	8R3000A16A120	12.0" +.75"-0 (.3M +19mm-0)
4	8R4000A16M020	6.7"+3.50"-0 (2M +88.9mm-0)
5	8R5000A16M010	3.3"+2.19"-0 (1M +55.6mm-0)

POLE	MATERIAL NO.	FINISHED LENGTH
3	8R3000A16A120	12.0" +.75"-0 (.3M +19mm-0)
4	8R4000A16M020	6.7"+3.50"-0 (2M +88.9mm-0)
5	8R5000A16M010	3.3"+2.19"-0 (1M +55.6mm-0)

POLE	MATERIAL NO.	FINISHED LENGTH
3	8R3000A16A120	12.0" +.75"-0 (.3M +19mm-0)
4	8R4000A16M020	6.7"+3.50"-0 (2M +88.9mm-0)
5	8R5000A16M010	3.3"+2.19"-0 (1M +55.6mm-0)

POLE	MATERIAL NO.	FINISHED LENGTH
3	8R3000A16A120	12.0" +.75"-0 (.3M +19mm-0)
4	8R4000A16M020	6.7"+3.50"-0 (2M +88.9mm-0)
5	8R5000A16M010	3.3"+2.19"-0 (1M +55.6mm-0)

POLE	MATERIAL NO.	FINISHED LENGTH
3	8R3000A16A120	12.0" +.75"-0 (.3M +19mm-0)
4	8R4000A16M020	6.7"+3.50"-0 (2M +88.9mm-0)
5	8R5000A16M010	3.3"+2.19"-0 (1M +55.6mm-0)

POLE	MATERIAL NO.	FINISHED LENGTH
3	8R3000A16A120	12.0" +.75"-0 (.3M +19mm-0)
4	8R4000A16M020	6.7"+3.50"-0 (2M +88.9mm-0)
5	8R5000A16M010	3.3"+2.19"-0 (1M +55.6mm-0)

POLE	MATERIAL NO.	FINISHED LENGTH
3	8R3000A16A120	12.0" +.75"-0 (.3M +19mm-0)
4	8R4000A16M020	6.7"+3.50"-0 (2M +88.9mm-0)
5	8R5000A16M010	3.3"+2.19"-0 (1M +55.6mm-0)

POLE	MATERIAL NO.	FINISHED LENGTH
3	8R3000A16A120	12.0" +.75"-0 (.3M +19mm-0)
4	8R4000A16M020	6.7"+3.50"-0 (2M +88.9mm-0)
5	8R5000A16M010	3.3"+2.19"-0 (1M +55.6mm-0)

POLE	MATERIAL NO.	FINISHED LENGTH
3	8R3000A16A120	12.0" +.75"-0 (.3M +19mm-0)
4	8R4000A16M020	6.7"+3.50"-0 (2M +88.9mm-0)
5	8R5000A16M010	3.3"+2.19"-0 (1M +55.6mm-0)

POLE	MATERIAL NO.	FINISHED LENGTH
3	8R3000A16A120	12.0" +.75"-0 (.3M +19mm-0)
4	8R4000A16M020	6.7"+3.50"-0 (2M +88.9mm-0)
5	8R5000A16M010	3.3"+2.19"-0 (1M +55.6mm-0)

POLE	MATERIAL NO.	FINISHED LENGTH
3	8R3000A16A120	12.0" +.75"-0 (.3M +19mm-0)
4	8R4000A16M020	6.7"+3.50"-0 (2M +88.9mm-0)
5	8R5000A16M010	3.3"+2.19"-0 (1M +55.6mm-0)

POLE	MATERIAL NO.	FINISHED LENGTH
3	8R3000A16A120	12.0" +.75"-0 (.3M +19mm-0)
4	8R4000A16M020	6.7"+3.50"-0 (2M +88.9mm-0)
5	8R5000A16M010	3.3"+2.19"-0 (1M +55.6mm-0)

POLE	MATERIAL NO.	FINISHED LENGTH
3	8R3000A16A	

X-ON Electronics

Largest Supplier of Electrical and Electronic Components

Click to view similar products for [Gate Drivers](#) category:

Click to view products by [Molex](#) manufacturer:

Other Similar products are found below :

[00028](#) [00053P0231](#) [8967380000](#) [56956](#) [CR7E-30DB-3.96E\(72\)](#) [57.404.7355.5](#) [LT4936](#) [57.904.0755.0](#) [5801-0903](#) [5803-0901](#) [5811-0902](#)
[5813-0901](#) [58410](#) [00576P0030](#) [00581P0070](#) [5882900001](#) [00103P0020](#) [00600P0005](#) [00-9050-LRPP](#) [00-9090-RDPP](#) [5951900000](#) [01-](#)
[1003W-10/32-15](#) [LTI LA6E-1S-WH-RC-FN12VXCR1](#) [0131700000](#) [00-2240](#) [LTP70N06](#) [LVP640](#) [0158-624-00](#) [5J0-1000LG-SIL](#) [020017-13](#)
[LY1D-2-5S-AC120](#) [LY2-0-US-AC120](#) [LY2-US-AC240](#) [LY3-UA-DC24](#) [00-5150](#) [00576P0020](#) [00600P0010](#) [LZNQ2M-US-DC5](#) [LZNQ2-](#)
[US-DC12](#) [LZP40N10](#) [00-8196-RDPP](#) [00-8274-RDPP](#) [00-8275-RDNP](#) [00-8609-RDPP](#) [00-8722-RDPP](#) [00-8728-WHPP](#) [00-8869-RDPP](#) [00-](#)
[9051-RDPP](#) [00-9091-LRPP](#) [00-9291-RDPP](#)