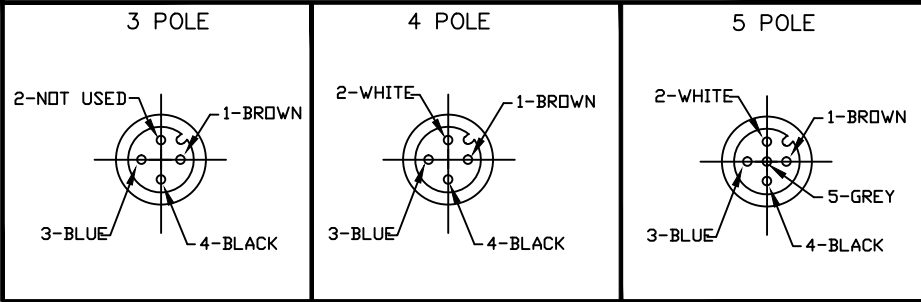


10 9 8 7 6 5 4 3 2 1

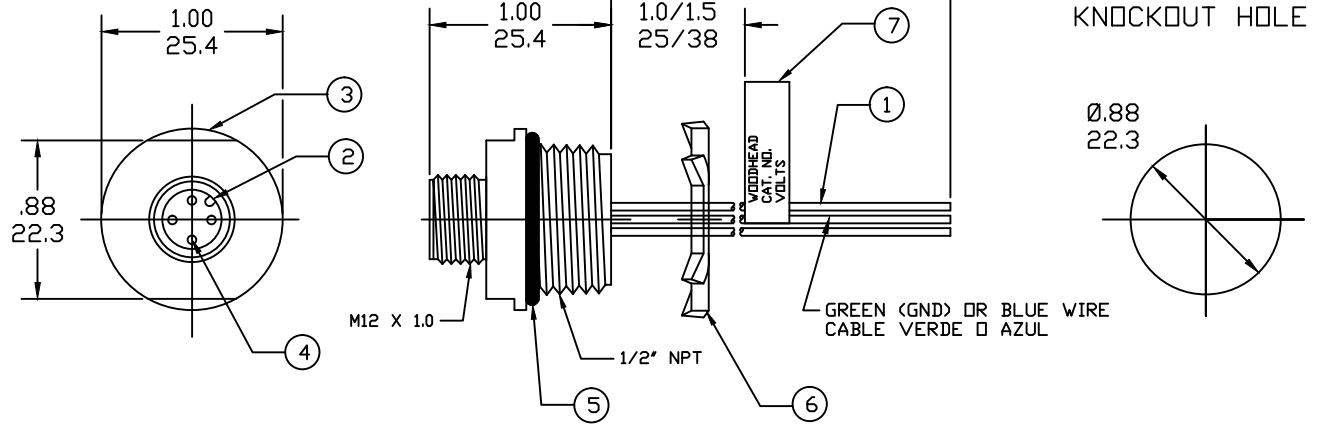
FRONT VIEW - MALE INSERT CONFIGURATION CHART



POLE	MATERIAL NO.	ENGINEERING NO.	FINISHED LENGTH
3	1200700090	8R3006A16M010	3'3" +2.19-0 (1M +55.6mm-0)
4	1200700175	8R4006A16A120	12.0" +.75-0 (.3M +19mm-0)
5	1200700250	8R5006A16M020	6'7" +3.50-0 (2M +88.9mm-0)

CONNECTOR SPECIFICATION:

VOLTAGE RATING 3 - 4 PIN	250V per IEC 60664
VOLTAGE RATING 5 PIN	60V per IEC 60664 250V per UL 2238
AMPERAGE RATING	4 AMPS
PROTECTION	IP67
OPERATING TEMPERATURE	-20°C TO 80°C
UL CERTIFICATIONS	UL LISTED, FILE NO. E152210
CSA CERTIFICATIONS	CSA CERTIFIED, FILE NO. LR6837



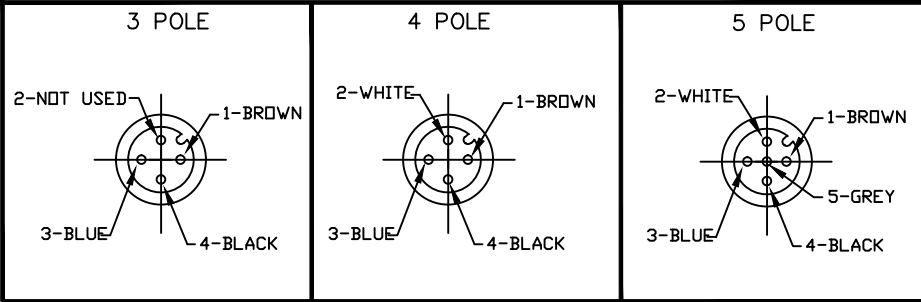
ITEM	COMPONENT	MATERIAL	FINISH
7	LABEL	MYLAR	BLACK/YELLOW
6	LOCKNUT	STEEL	ZINC PLATED
5	O-RING	VITON	BLACK
4	CONTACT SOCKET	COPPER ALLOY	GOLD OVER NICKEL
3	SHELL FEMALE M12x1	ALUMINUM	BLACK ANODIZED
2	MALE INSERT	NYLON	BLACK
1	CONDUCTOR- 18 AWG 3-5 CONDUCTOR 300V	PVC	SEE WIRING DIAGRAMM

NEW SALES DOC EC NO: IPG2017-0318 DRWN: BBRAUCH 2016/09/21 CHKD: RSILLER 2016/09/21 APPR: RSILLER 2013/02/07	DESCRIPTION REV	QUALITY SYMBOLS $\nabla=0$ $\nabla=0$	GENERAL TOLERANCES (UNLESS SPECIFIED)	DIMENSION STYLE INCH/MM	SCALE ---	DESIGN UNITS INCH	THIRD ANGLE PROJECTION
		4 PLACES ±--- ±---	mm INCH	DRAWN BY DATE RSTONE 2012/11/07	TITLE MICRO-CHANGE RECEPTACLE 3-5 POLE MALE #18/3-5 AWG PVC WIRE		
		3 PLACES ±--- ±---	±--- ±01	CHECKED BY DATE K JOZWIK 2012/11/28	MOLEX INCORPORATED SD-120070-044		
		2 PLACES ±--- ±0.3 ±---	ANGULAR ±2°	APPROVED BY DATE JFMURPHY 2013/02/07		SHEET NO. 1 OF 1	
DRAFT WHERE APPLICABLE MUST REMAIN WITHIN DIMENSIONS			SEE CHART	THIS DRAWING CONTAINS INFORMATION THAT IS PROPRIETARY TO MOLEX INCORPORATED AND SHOULD NOT BE USED WITHOUT WRITTEN PERMISSION			

10 9 8 7 6 5 4 3 2 1

10 9 8 7 6 5 4 3 2 1

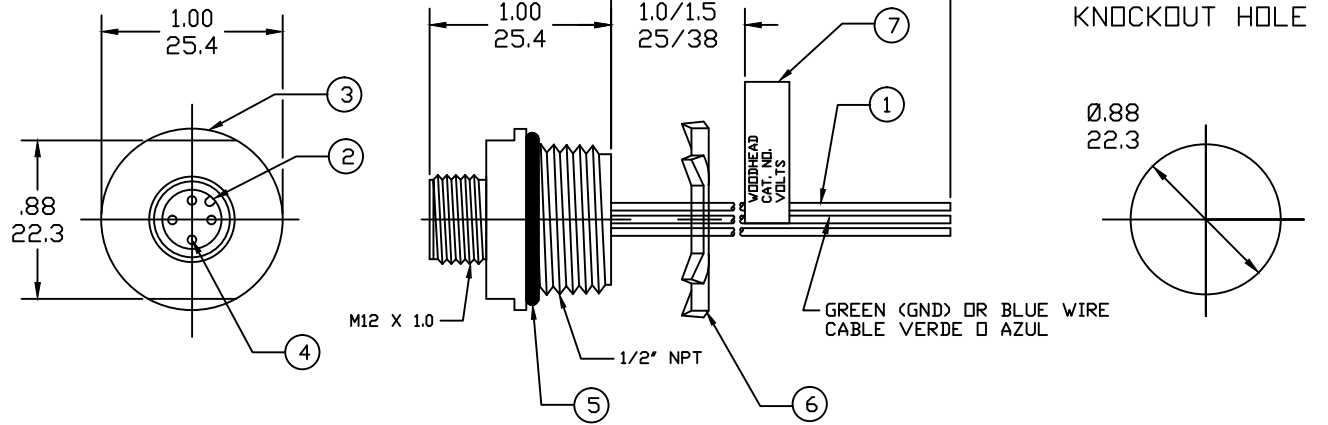
FRONT VIEW - MALE INSERT CONFIGURATION CHART



POLE	MATERIAL NO.	ENGINEERING NO.	FINISHED LENGTH
3	1200700090	8R3006A16M010	3'3" +2.19-0 (1M +55.6mm-0)
4	1200700175	8R4006A16A120	12.0" +.75-0 (.3M +19mm-0)
5	1200700250	8R5006A16M020	6'7" +3.50-0 (2M +88.9mm-0)

CONNECTOR SPECIFICATION:

VOLTAGE RATING 3 - 4 PIN	250V per IEC 60664
VOLTAGE RATING 5 PIN	60V per IEC 60664 250V per UL 2238
AMPERAGE RATING	4 AMPS
PROTECTION	IP67
OPERATING TEMPERATURE	-20°C TO 80°C
UL CERTIFICATIONS	UL LISTED, FILE NO. E152210
CSA CERTIFICATIONS	CSA CERTIFIED, FILE NO. LR6837



ITEM	COMPONENT	MATERIAL	FINISH
7	LABEL	MYLAR	BLACK/YELLOW
6	LOCKNUT	STEEL	ZINC PLATED
5	O-RING	VITON	BLACK
4	CONTACT SOCKET	COPPER ALLOY	GOLD OVER NICKEL
3	SHELL FEMALE M12x1	ALUMINUM	BLACK ANODIZED
2	MALE INSERT	NYLON	BLACK
1	CONDUCTOR- 18 AWG 3-5 CONDUCTOR 300V	PVC	SEE WIRING DIAGRAMM

NEW SALES DOC EC NO: IPG2017-0318 DRWN: BBRAUCH 2016/09/21 CHKD: RSILLER 2016/09/21 APPR: RSILLER 2013/02/07	DESCRIPTION REV	QUALITY SYMBOLS	GENERAL TOLERANCES (UNLESS SPECIFIED)	DIMENSION STYLE	SCALE	DESIGN UNITS	THIRD ANGLE PROJECTION																															
		$\nabla=0$ $\sphericalangle=0$	<table border="1"> <thead> <tr> <th></th> <th>mm</th> <th>INCH</th> </tr> </thead> <tbody> <tr> <td>4 PLACES</td> <td>±---</td> <td>±---</td> </tr> <tr> <td>3 PLACES</td> <td>±---</td> <td>±---</td> </tr> <tr> <td>2 PLACES</td> <td>±---</td> <td>±.01</td> </tr> <tr> <td>1 PLACE</td> <td>±0.3</td> <td>±---</td> </tr> </tbody> </table>		mm	INCH	4 PLACES	±---	±---	3 PLACES	±---	±---	2 PLACES	±---	±.01	1 PLACE	±0.3	±---	INCH/MM	---	INCH	<table border="1"> <tr> <td>DRAWN BY</td> <td>DATE</td> <td rowspan="2">TITLE</td> </tr> <tr> <td>RSTONE</td> <td>2012/11/07</td> </tr> <tr> <td>CHECKED BY</td> <td>DATE</td> <td rowspan="2"> MICRO-CHANGE RECEPTACLE 3-5 POLE MALE #18/3-5 AWG PVC WIRE MOLEX INCORPORATED </td> </tr> <tr> <td>K JOZWIK</td> <td>2012/11/28</td> </tr> <tr> <td>APPROVED BY</td> <td>DATE</td> <td> MATERIAL NO. SEE CHART DOCUMENT NO. SD-120070-044 SHEET NO. 1 OF 1 </td> </tr> <tr> <td>JFMURPHY</td> <td>2013/02/07</td> <td> THIS DRAWING CONTAINS INFORMATION THAT IS PROPRIETARY TO MOLEX INCORPORATED AND SHOULD NOT BE USED WITHOUT WRITTEN PERMISSION </td> </tr> </table>	DRAWN BY	DATE	TITLE	RSTONE	2012/11/07	CHECKED BY	DATE	MICRO-CHANGE RECEPTACLE 3-5 POLE MALE #18/3-5 AWG PVC WIRE MOLEX INCORPORATED	K JOZWIK	2012/11/28	APPROVED BY	DATE	MATERIAL NO. SEE CHART DOCUMENT NO. SD-120070-044 SHEET NO. 1 OF 1	JFMURPHY	2013/02/07	THIS DRAWING CONTAINS INFORMATION THAT IS PROPRIETARY TO MOLEX INCORPORATED AND SHOULD NOT BE USED WITHOUT WRITTEN PERMISSION
			mm	INCH																																		
		4 PLACES	±---	±---																																		
3 PLACES	±---	±---																																				
2 PLACES	±---	±.01																																				
1 PLACE	±0.3	±---																																				
DRAWN BY	DATE	TITLE																																				
RSTONE	2012/11/07																																					
CHECKED BY	DATE	MICRO-CHANGE RECEPTACLE 3-5 POLE MALE #18/3-5 AWG PVC WIRE MOLEX INCORPORATED																																				
K JOZWIK	2012/11/28																																					
APPROVED BY	DATE	MATERIAL NO. SEE CHART DOCUMENT NO. SD-120070-044 SHEET NO. 1 OF 1																																				
JFMURPHY	2013/02/07	THIS DRAWING CONTAINS INFORMATION THAT IS PROPRIETARY TO MOLEX INCORPORATED AND SHOULD NOT BE USED WITHOUT WRITTEN PERMISSION																																				

X-ON Electronics

Largest Supplier of Electrical and Electronic Components

Click to view similar products for [Gate Drivers](#) category:

Click to view products by [Molex](#) manufacturer:

Other Similar products are found below :

[00028](#) [00053P0231](#) [8967380000](#) [56956](#) [CR7E-30DB-3.96E\(72\)](#) [57.404.7355.5](#) [LT4936](#) [57.904.0755.0](#) [5801-0903](#) [5803-0901](#) [5811-0902](#)
[5813-0901](#) [58410](#) [00576P0030](#) [00581P0070](#) [5882900001](#) [00103P0020](#) [00600P0005](#) [00-9050-LRPP](#) [00-9090-RDPP](#) [5951900000](#) [01-](#)
[1003W-10/32-15](#) [LTI LA6E-1S-WH-RC-FN12VXCR1](#) [0131700000](#) [00-2240](#) [LTP70N06](#) [LVP640](#) [0158-624-00](#) [5J0-1000LG-SIL](#) [020017-13](#)
[LY1D-2-5S-AC120](#) [LY2-0-US-AC120](#) [LY2-US-AC240](#) [LY3-UA-DC24](#) [00-5150](#) [00576P0020](#) [00600P0010](#) [LZNQ2M-US-DC5](#) [LZNQ2-](#)
[US-DC12](#) [LZP40N10](#) [00-8196-RDPP](#) [00-8274-RDPP](#) [00-8275-RDNP](#) [00-8609-RDPP](#) [00-8722-RDPP](#) [00-8728-WHPP](#) [00-8869-RDPP](#) [00-](#)
[9051-RDPP](#) [00-9091-LRPP](#) [00-9291-RDPP](#)