

NOTES:

1. CONTACT-PLATED PHOSPHOR BRONZE.
(SEE SHEET 2)
2. HOUSING
POLYESTER (PBT), 15% GLASS FILL, UL94-V0.
COLOR: BLACK.
ALSO
POLYAMIDE (PA4/6), 30% GLASS FILL, UL94V-0.
COLOR: NATURAL.
3. FOR 0.635/[0.025] SQ. MALE PINS THE
LENGTH MUST BE 5.65/[0.222] MIN. &
7.00/[0.276] MAX. TO ENSURE GOOD
CONNECTION WITH CONTACT.
4. PRODUCT SPECIFICATION: PS-99020-0001
5. PCB THICKNESS 1.6MM

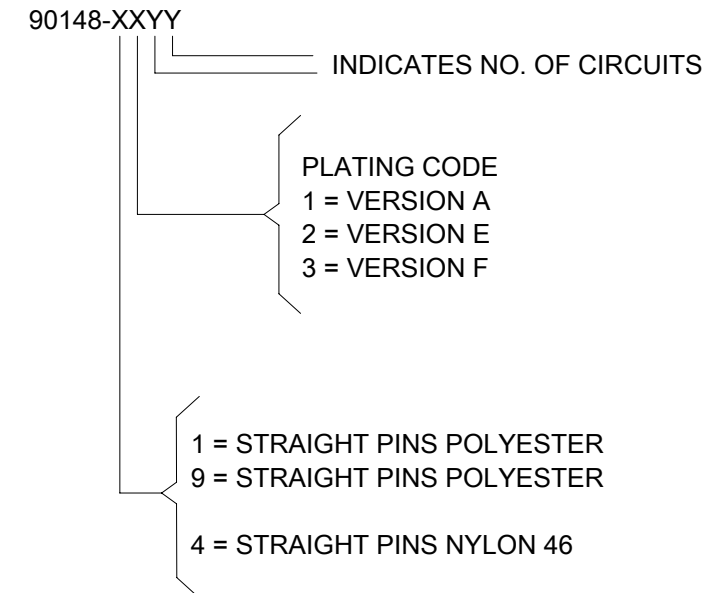
THIS DRAWING CONTAINS INFORMATION THAT IS PROPRIETARY TO MOLEX ELECTRONIC TECHNOLOGIES, LLC AND SHOULD NOT BE USED WITHOUT WRITTEN PERMISSION																																																																																																				
DIMENSION UNITS		SCALE		CURRENT REV DESC: MIGRATED TO NX																																																																																																
MM/INCH		NTS		<table border="1"> <tr> <td colspan="2">GENERAL TOLERANCES (UNLESS SPECIFIED)</td> <td colspan="2">EC NO: 613447</td> <td colspan="2">C7-GRID III SINGLE ROW HORIZONTAL P.C BOARD CONN.</td> </tr> <tr> <td>4 PLACES</td> <td>±</td> <td>±</td> <td>DRWN: ABABU01</td> <td colspan="2">2019/03/04</td> </tr> <tr> <td>3 PLACES</td> <td>±</td> <td>±</td> <td>CHK'D: NMANE02</td> <td colspan="2">2019/03/11</td> </tr> <tr> <td>2 PLACES</td> <td>±</td> <td>0.15</td> <td>APPR: MRAMAKRISHNA</td> <td colspan="2">2019/03/11</td> </tr> <tr> <td>1 PLACE</td> <td>±</td> <td>±</td> <td colspan="3">INITIAL REVISION:</td> </tr> <tr> <td>0 PLACES</td> <td>±</td> <td>±</td> <td>DRWN: DB</td> <td colspan="2">1987/07/14</td> </tr> <tr> <td colspan="2">ANGULAR TOL</td> <td colspan="2">± 2.0 °</td> <td>APPR: J.DENNEHY</td> <td colspan="2">2010/06/04</td> </tr> <tr> <td colspan="2">DRAFT WHERE APPLICABLE MUST REMAIN WITHIN DIMENSIONS</td> <td colspan="2">THIRD ANGLE PROJECTION</td> <td>DRAWING</td> <td>SERIES</td> <td>MATERIAL NUMBER</td> <td>CUSTOMER</td> <td>DOCUMENT NUMBER</td> <td>DOC TYPE</td> <td>DOC PART</td> <td>REVISION</td> </tr> <tr> <td colspan="2"></td> <td colspan="2"> </td> <td>B-SIZE</td> <td>90148</td> <td>SEE TABLE</td> <td>GENERAL MARKET</td> <td>SDA-90148</td> <td>PSD</td> <td>001</td> <td>AK1</td> </tr> <tr> <td colspan="2"></td> <td colspan="2"></td> <td></td> <td></td> <td></td> <td></td> <td></td> <td></td> <td></td> <td>SHEET NUMBER</td> </tr> <tr> <td colspan="2"></td> <td colspan="2"></td> <td></td> <td></td> <td></td> <td></td> <td></td> <td></td> <td></td> <td>1 OF 3</td> </tr> </table>						GENERAL TOLERANCES (UNLESS SPECIFIED)		EC NO: 613447		C7-GRID III SINGLE ROW HORIZONTAL P.C BOARD CONN.		4 PLACES	±	±	DRWN: ABABU01	2019/03/04		3 PLACES	±	±	CHK'D: NMANE02	2019/03/11		2 PLACES	±	0.15	APPR: MRAMAKRISHNA	2019/03/11		1 PLACE	±	±	INITIAL REVISION:			0 PLACES	±	±	DRWN: DB	1987/07/14		ANGULAR TOL		± 2.0 °		APPR: J.DENNEHY	2010/06/04		DRAFT WHERE APPLICABLE MUST REMAIN WITHIN DIMENSIONS		THIRD ANGLE PROJECTION		DRAWING	SERIES	MATERIAL NUMBER	CUSTOMER	DOCUMENT NUMBER	DOC TYPE	DOC PART	REVISION					B-SIZE	90148	SEE TABLE	GENERAL MARKET	SDA-90148	PSD	001	AK1												SHEET NUMBER												1 OF 3
GENERAL TOLERANCES (UNLESS SPECIFIED)		EC NO: 613447								C7-GRID III SINGLE ROW HORIZONTAL P.C BOARD CONN.																																																																																										
4 PLACES	±	±	DRWN: ABABU01							2019/03/04																																																																																										
3 PLACES	±	±	CHK'D: NMANE02							2019/03/11																																																																																										
2 PLACES	±	0.15	APPR: MRAMAKRISHNA							2019/03/11																																																																																										
1 PLACE	±	±	INITIAL REVISION:																																																																																																	
0 PLACES	±	±	DRWN: DB	1987/07/14																																																																																																
ANGULAR TOL		± 2.0 °		APPR: J.DENNEHY	2010/06/04																																																																																															
DRAFT WHERE APPLICABLE MUST REMAIN WITHIN DIMENSIONS		THIRD ANGLE PROJECTION		DRAWING	SERIES	MATERIAL NUMBER	CUSTOMER	DOCUMENT NUMBER	DOC TYPE	DOC PART	REVISION																																																																																									
				B-SIZE	90148	SEE TABLE	GENERAL MARKET	SDA-90148	PSD	001	AK1																																																																																									
											SHEET NUMBER																																																																																									
											1 OF 3																																																																																									
DOCUMENT STATUS		P1		RELEASE DATE		2019/03/11		07:13:21																																																																																												

PART NO's - STRAIGHT PINS		PART NO.	NO. OF CKTS.	A	B ⁺⁰ -0.30 [B ⁺⁰ -.012]	NO. PER TUBE
STANDARD	CUSTOMER SPECIFIC					
90148-1X02	_____	90148-4X02	2	2.54/[.100]	5.08/[.200]	105
90148-1X03	_____	90148-4X03	3	5.08/[.200]	7.62/[.300]	72
90148-1X04	_____	90148-4X04	4	7.62/[.300]	10.16/[.400]	52
90148-1X05	_____	90148-4X05	5	10.16/[.400]	12.70/[.500]	44
90148-1X06	90148-9X06	90148-4X06	6	12.70/[.500]	15.24/[.600]	36
90148-1X07	_____	90148-4X07	7	15.24/[.600]	17.78/[.700]	30
90148-1X08	_____	90148-4X08	8	17.78/[.700]	20.32/[.800]	26
90148-1X09	_____	90148-4X09	9	20.32/[.800]	22.86/[.900]	24
90148-1X10	_____	90148-4X10	10	22.86/[.900]	25.40/[1.000]	22
90148-1X11	_____	90148-4X11	11	25.40/[1.000]	27.94/[1.100]	18
90148-1X12	_____	90148-4X12	12	27.94/[1.100]	30.48/[1.200]	18
90148-1X13	_____	90148-4X13	13	_____	_____	16
90148-1X14	_____	90148-4X14	14	33.02/[1.300]	35.56/[1.400]	14
90148-1X15	_____	90148-4X15	15	35.56/[1.400]	38.10/[1.500]	14
90148-1X16	_____	90148-4X16	16	_____	_____	13
90148-1X17	_____	90148-4X17	17	_____	_____	12
90148-1X18	_____	90148-4X18	18	43.18/[1.700]	45.72/[1.800]	12
90148-1X19	_____	90148-4X19	19	45.72/[1.800]	48.26/[1.900]	12
90148-1X20	_____	90148-4X20	20	48.26/[1.900]	50.80/[2.000]	11
90148-1X21	_____	90148-4X21	21	_____	_____	10
90148-1X22	_____	90148-4X22	22	_____	_____	10
90148-1X23	_____	90148-4X23	23	_____	_____	10
90148-1X24	_____	90148-4X24	24	_____	_____	9
90148-1X25	_____	90148-4X25	25	60.96/[2.400]	63.50/[2.500]	8
90148-1X26	_____	90148-4X26	26	63.50/[2.500]	66.04/[2.600]	8
90148-1X27	_____	90148-4X27	27	_____	_____	8
90148-1X28	_____	90148-4X28	28	_____	_____	7
90148-1X29	_____	90148-4X29	29	_____	_____	7
90148-1X30	_____	90148-4X30	30	73.66/[2.900]	76.20/[3.000]	7
90148-1X31	_____	90148-4X31	31	_____	_____	7
90148-1X32	_____	90148-4X32	32	78.74/[3.100]	81.28/[3.200]	6

PLATING VERSION A
PRE-PLATED HOT DIP TIN
1.0 TO 2.5 MICRONS [.00004" TO .00010"].

PLATING VERSION E
1.27 TO 1.78 MICRONS [.00005" TO .00007"] NICKEL
OVERALL, 0.38 TO 0.64 MICRONS [.000015" TO .000025"]
GOLD ON CONTACT AREA (OVER NICKEL).
3 TO 5 MICRONS [.00012" TO .00020"] TIN
ON SOLDER TAILS (OVER NICKEL).

PLATING VERSION F.
1.27 TO 1.78 MICRONS [.00005" TO .00007"] NICKEL
OVERALL, 0.76 TO 1.0 MICRONS [.00003" TO .00004"]
GOLD ON CONTACT AREA (OVER NICKEL).
3 TO 5 MICRONS [.00012" TO .00020"] TIN
ON SOLDER TAILS (OVER NICKEL).

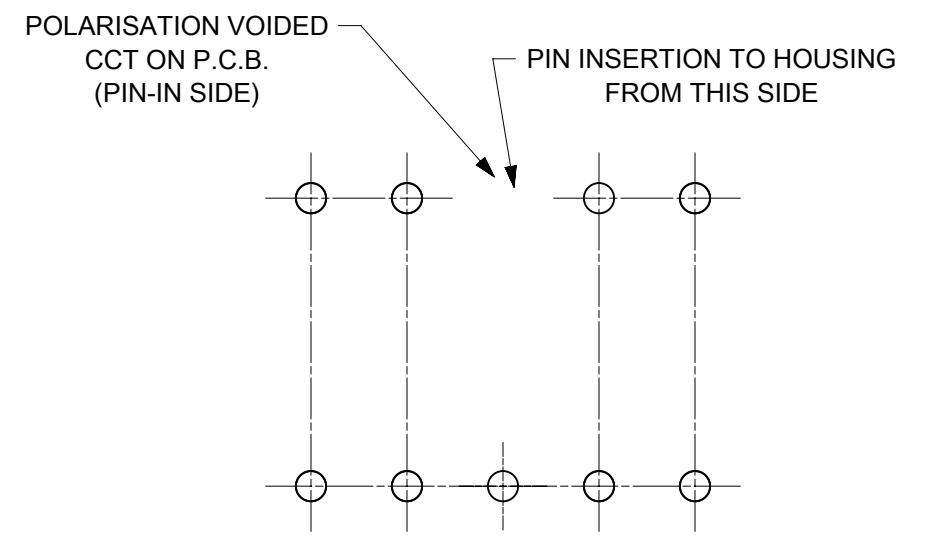
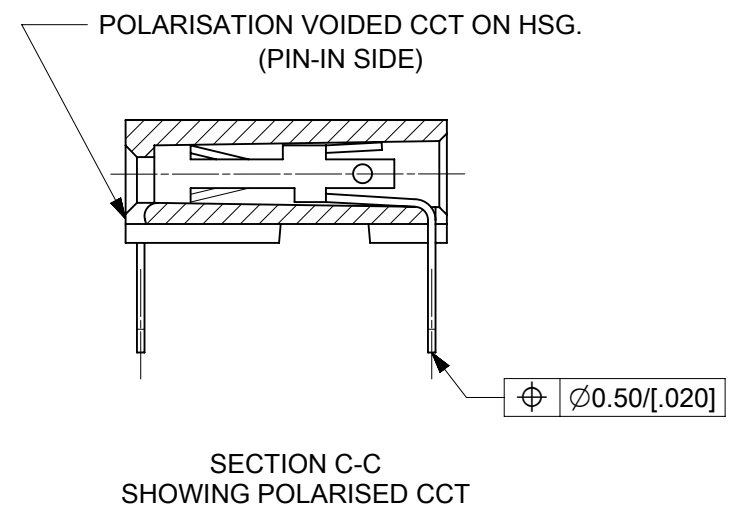
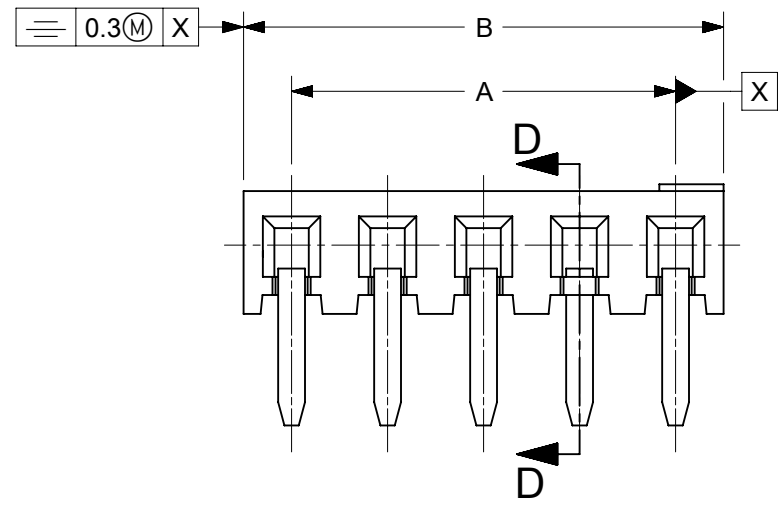


THIS DRAWING CONTAINS INFORMATION THAT IS PROPRIETARY TO MOLEX ELECTRONIC TECHNOLOGIES, LLC AND SHOULD NOT BE USED WITHOUT WRITTEN PERMISSION										
DIMENSION UNITS mm	SCALE NTS	CURRENT REV DESC: MIGRATED TO NX								
GENERAL TOLERANCES (UNLESS SPECIFIED)		EC NO: 613447								
ANGULAR TOL ± 2.0°	4 PLACES ±	DRWN: ABABU01 2019/03/04			C-GRID III SINGLE ROW HORIZONTAL P.C BOARD CONN.					
3 PLACES ±	2 PLACES ± 0.15	CHK'D: NMANE02 2019/03/11								
1 PLACE ±	0 PLACES ±	APPR: MRAMAKRISHNA 2019/03/11			PRODUCT CUSTOMER DRAWING					
INITIAL REVISION:		DRWN: RFC_PLMIMP 2018/10/05								
DRAFT WHERE APPLICABLE MUST REMAIN WITHIN DIMENSIONS		THIRD ANGLE PROJECTION	DRAWING	SERIES	MATERIAL NUMBER	CUSTOMER	DOCUMENT NUMBER	DOC TYPE	DOC PART	REVISION
			B-SIZE	90148	SEE TABLE	GENERAL MARKET	SDA-90148	PSD	001	AK1
										SHEET NUMBER 2 OF 3

PART NO.	POLARISED CCT NO.	NO. OF CKTS.	A	B ⁺⁰ / _{-0.30} [B ⁺⁰ / _{-0.12}]	NO. PER TUBE
90148-3X01	2	3	5.08/[.200]	7.62/[.300]	72

NON-STANDARD PRODUCTS

90148 -XXYY
 OPTION NUMBER
 (NOT RELATING TO CCT SIZE OR OTHERWISE)
 PLATING CODE (SEE SHEET 2)
 3 = STRAIGHT PINS POLYESTER, POLARISED



NOTES:
 1. SEE SHEET 1 FOR ALL UNSPECIFIED DIMENSIONS AND NOTES.
 2. PARTS NOT STACKABLE.

THIS DRAWING CONTAINS INFORMATION THAT IS PROPRIETARY TO MOLEX ELECTRONIC TECHNOLOGIES, LLC AND SHOULD NOT BE USED WITHOUT WRITTEN PERMISSION

DIMENSION UNITS mm	SCALE NTS	CURRENT REV DESC: MIGRATED TO NX		molex		
GENERAL TOLERANCES (UNLESS SPECIFIED)		EC NO: 613447				
ANGULAR TOL ± 2.0°	4 PLACES ±	DRWN: ABABU01	2019/03/04	PRODUCT CUSTOMER DRAWING		
3 PLACES ±	2 PLACES ± 0.15	CHK'D: NMANE02	2019/03/11	DOCUMENT NUMBER		DOC TYPE
1 PLACE ±	0 PLACES ±	APPR: MRAMAKRISHNA	2019/03/11	SDA-90148		PSD
DRAFT WHERE APPLICABLE MUST REMAIN WITHIN DIMENSIONS	THIRD ANGLE PROJECTION	INITIAL REVISION:	DRWN: RFC_PLMIMP	2018/10/05	DOC PART	REVISION
		APPR: MWILHITE	2002/03/19	MATERIAL NUMBER	CUSTOMER	SHEET NUMBER
				SEE TABLE	GENERAL MARKET	3 OF 3

X-ON Electronics

Largest Supplier of Electrical and Electronic Components

Click to view similar products for [Headers & Wire Housings](#) category:

Click to view products by [Molex](#) manufacturer:

Other Similar products are found below :

[892-18-020-10-001101](#) [58102-G61-06LF](#) [582553-1](#) [0009485154](#) [009176003701906](#) [0050291907](#) [LY20-4P-DT1-P1E-BR](#) [02.125.8002.8](#)
[609-3404](#) [61062-3](#) [622-0430](#) [622-3653LF](#) [63453-116](#) [636-1030](#) [636-1427](#) [636-3427](#) [636-4007](#) [641938-9](#) [641991-4](#) [644827-2](#) [65817-010LF](#)
[65817-015LF](#) [65863-015LF](#) [66207-023LF](#) [67095-007LF](#) [67601157](#) [68648-049](#) [70.362.1628.0](#) [70-4210](#) [70-4226B](#) [70-4853B](#) [707-5020](#) [707-](#)
[5028](#) [71.350.2428.0](#) [71918-208LF](#) [71961-016LF](#) [733-134](#) [733-162](#) [754199-000](#) [760-3052](#) [787-8014-00](#) [79531-3000](#) [FCN-360C032-B](#) [FCN-](#)
[367T-T012/H](#) [FCN-723D010/2](#) [80.063.4001.1](#) [800-90-001-10-001000](#) [800-90-010-10-002000](#) [801-43-002-10-013000](#) [801-43-006-10-002000](#)