

PLEASE CHECK WWW.MOLEX.COM FOR LATEST PART INFORMATION

Part Number: [0901700034](#)
Status: **Active**
Overview: [QF-50™](#)
Description: 2.54mm Pitch QF-50 Strain Relief, DIN 41651, Standard Low Profile, 34 Circuits

Documents:

[3D Model](#) [Packaging Specification PK-90170-001-001 \(PDF\)](#)
[Drawing \(PDF\)](#) [RoHS Certificate of Compliance \(PDF\)](#)
[Product Specification PS-99020-0015-001 \(PDF\)](#)

General

| | |
|-------------------|-------------------------------------|
| Product Family | Ribbon Cable / Wire Trap Connectors |
| Series | 90170 |
| Component Type | Strain Relief |
| Glow-Wire Capable | No |
| Overview | QF-50™ |
| Product Name | QF-50 |
| UPC | 800753533226 |

Physical

| | |
|-------------------------------|---------------|
| Circuits (Loaded) | N/A |
| Circuits (maximum) | 34 |
| Color - Resin | Black |
| Entry Angle | N/A |
| Lock to Mating Part | Yes |
| Material - Plating Mating | N/A |
| Material - Resin | Polyester |
| Net Weight | 0.838/g |
| Number of Rows | 2 |
| PCB Locator | No |
| PCB Retention | None |
| Packaging Type | Bag |
| Pitch - Mating Interface | 1.27mm |
| Polarized to Mating Part | No |
| Stackable | No |
| Temperature Range - Operating | -25° to +85°C |
| Wire Insulation Diameter | N/A |
| Wire Size AWG | N/A |
| Wire/Cable Type | Ribbon Cable |

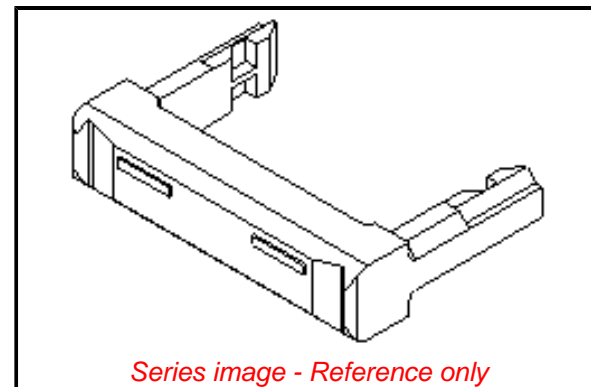
Electrical

| | |
|-------------------------------|------------|
| Current - Maximum per Contact | 1.0A |
| Voltage - Maximum | 250V AC/DC |

Material Info

Reference - Drawing Numbers

| | |
|-------------------------|-------------------|
| Packaging Specification | PK-90170-001-001 |
| Product Specification | PS-99020-0015-001 |
| Sales Drawing | SD-90170 |



EU ELV

Not Relevant

EU RoHS

Compliant

REACH SVHC

Not Contained Per -
ED/71/2019 (16 July
2019)

Halogen-Free

Status

Not Low-Halogen

For more information, please visit [Contact US](#)

China ROHS

ELV

RoHS Phthalates

China RoHS

Green Image

Not Relevant

Not Contained

Search Parts in this Series

[90170 Series](#)

Use With

[5320](#) , [90635](#)

X-ON Electronics

Largest Supplier of Electrical and Electronic Components

Click to view similar products for [Headers & Wire Housings](#) category:

Click to view products by [Molex](#) manufacturer:

Other Similar products are found below :

[892-18-020-10-001101](#) [58102-G61-06LF](#) [582553-1](#) [0009485154](#) [009176003701906](#) [0050291907](#) [LY20-4P-DT1-P1E-BR](#) [02.125.8002.8](#)
[609-3404](#) [61062-3](#) [622-0430](#) [622-3653LF](#) [63453-116](#) [636-1030](#) [636-1427](#) [636-3427](#) [636-4007](#) [641938-9](#) [641991-4](#) [644827-2](#) [65817-010LF](#)
[65817-015LF](#) [65863-015LF](#) [66207-023LF](#) [67095-007LF](#) [67601157](#) [68648-049](#) [70.362.1628.0](#) [70-4210](#) [70-4226B](#) [70-4853B](#) [707-5020](#) [707-5028](#) [71.350.2428.0](#) [71918-208LF](#) [71961-016LF](#) [733-134](#) [733-162](#) [754199-000](#) [760-3052](#) [787-8014-00](#) [79531-3000](#) [FCN-360C032-B](#) [FCN-367T-T012/H](#) [FCN-723D010/2](#) [80.063.4001.1](#) [800-90-001-10-001000](#) [800-90-010-10-002000](#) [801-43-002-10-013000](#) [801-43-006-10-002000](#)