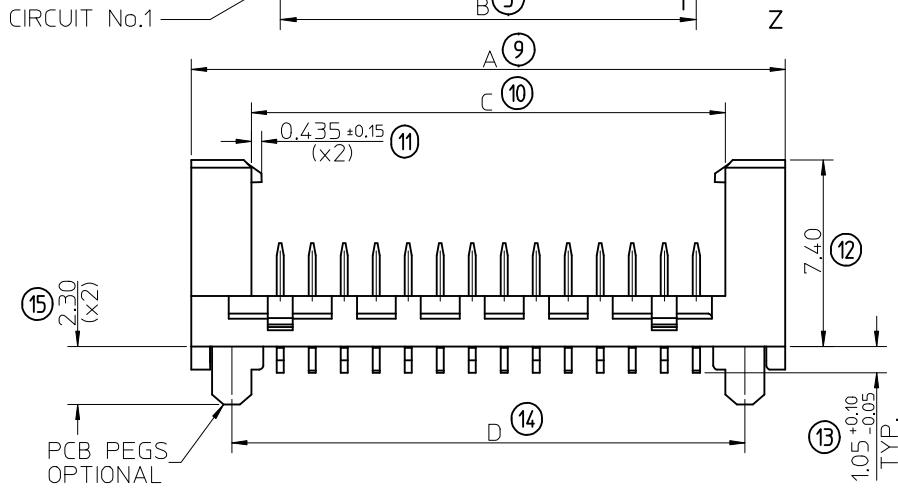


PART NO.	NUMBER OF CKTS	DIMN. A	DIMN. B	DIMN. C	DIMN. D	
90816-**-04	4	10.86	3.81	6.11	7.66	NOTE 7
90816-**-06	6	13.40	6.35	8.65	10.20	
90816-**-08	8	15.94	8.89	11.19	12.74	
90816-**-10	10	18.48	11.43	13.73	15.28	
90816-**-12	12	21.02	13.97	16.27	17.82	
90816-**-14	14	23.56	16.51	18.81	20.36	
90816-**-16	16	26.10	19.05	21.35	22.90	
90816-**-18	18	28.64	21.59	23.89	25.44	
90816-**-20	20	31.18	24.13	26.43	27.98	
90816-**-22	22	33.72	26.67	28.97	30.52	
90816-**-24	24	36.26	29.21	31.51	33.06	
90816-**-26	26	38.80	31.75	34.05	35.60	



14 CIRCUIT SHOWN FOR ILLUSTRATION ONLY.

90816 - * * * *

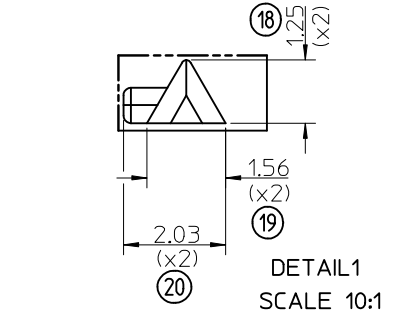
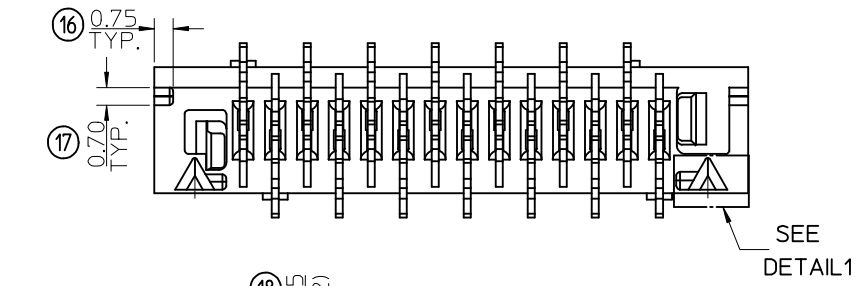
CIRCUIT SIZE.

	PCB PEGS	TUBE PACKED	TAPE & REEL PACKED
0	YES	YES	NO
2	YES	NO	YES
3	NO	YES	NO
5	NO	NO	YES

0 = TIN VERSION
3 = PALLADIUM NICKEL VERSION

NOTES:

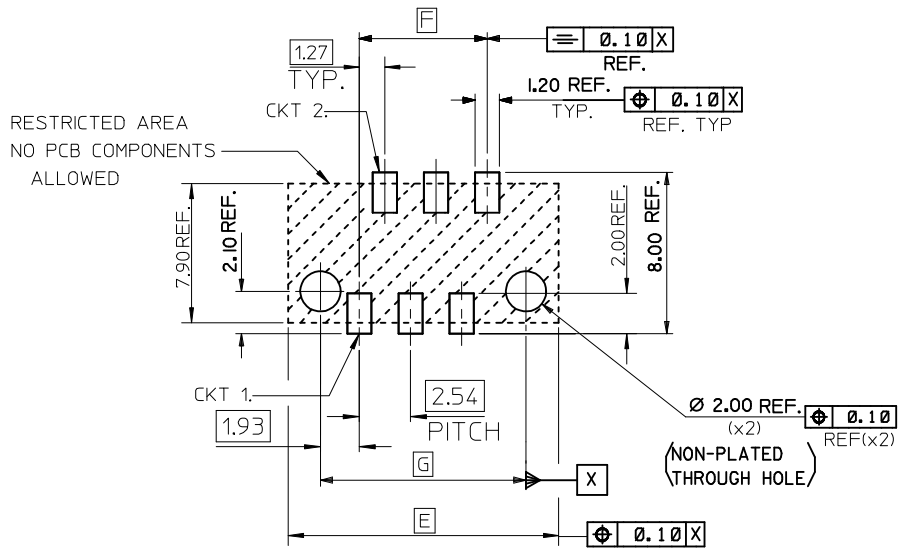
- MATERIAL HOUSING: PPA, GLASS-FILLED, COLOUR: BLACK, UL 94-HB. TERMINAL: BRASS
 - FINISHES: TERMINAL PALLADIUM NICKEL (PdNi); CONTACT AREA: SELECTIVE PdNi; 0.6 MICROMETRE MINIMUM UNDER 0.05 MICROMETRE MINIMUM GOLD FLASH SMT TAILS: TIN (Sn), 3 MICROMETRE MIN OVER NICKEL UNDERPLATE. TIN: 3 MICROMETRE MINIMUM OVER NICKEL UNDERPLATE.
 - PRODUCT SPECIFICATION: PS-99020-0011
 - PACKAGING SPECIFICATION: FOR TAPE AND REEL SEE: PK-90816-006 FOR TUBE SEE: PK-90816-007
 - MATES WITH MOLEX 90327 PART SERIES.
 - ALL SMT TAILS TO LIE WITHIN A COPLANARITY BAND OF 0 - 0.10 MICROMETRE REF. FROM EACH OTHER.
 - 4 CIRCUIT PART NOT AVAILABLE IN TAPE AND REEL.
- LAST INSPECTION NUMBER USED: 20



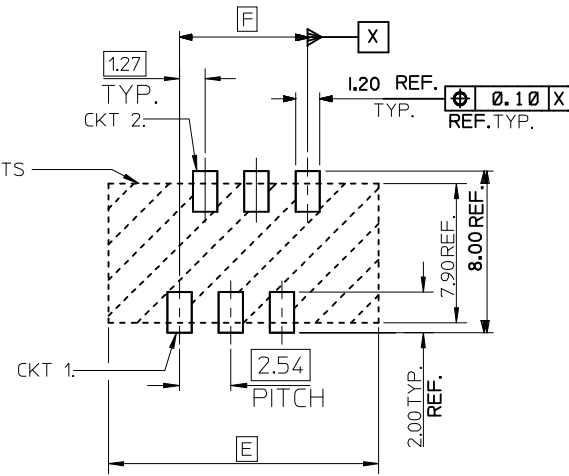
REV	DESCRIPTION
T	DRW:DBYRNES 2012/07/25
	CHKD:DMAHER 2013/01/22
	APPR:STGRIFFIN 2013/01/23

QUALITY SYMBOLS	GENERAL TOLERANCES (UNLESS SPECIFIED)
▽=0	mm
▽=0	INCH
	4 PLACES ± --- ± ---
	3 PLACES ± --- ± ---
	2 PLACES ± 0.25 ± ---
	1 PLACE ± 0.35 ± ---
	ANGULAR ± 2 °

DIMENSION STYLE		SCALE	DESIGN UNITS	THIRD ANGLE PROJECTION
MM ONLY		5:1	METRIC	☉
DRAWN BY	DATE	TITLE		
D.BYRNES	2008/08/16	PICOFLEX SMT LATCHED HEADER		
CHECKED BY	DATE	MOLEX INCORPORATED		
JDWALLACE	2008/08/26	DOCUMENT NO. SD-90816-001		
APPROVED BY	DATE	SHEET NO. 1 OF 2		
EFO LAN	2010/11/04			
MATERIAL NO.	SEE CHART	THIS DRAWING CONTAINS INFORMATION THAT IS PROPRIETARY TO MOLEX INCORPORATED AND SHOULD NOT BE USED WITHOUT WRITTEN PERMISSION		
SIZE	A3			



RECOMMENDED PCB THICKNESS 1.60±0.14
 PCB LAYOUT FOR CLEARANCE FIT WITH PCB PEGS
 HEADER VERSIONS 90816-*0**/*2**
 VIEWED FROM COMPONENT SIDE
 6CKT PART SHOWN FOR REFERENCE



PCB LAYOUT WITHOUT PCB PEGS
 HEADER VERSIONS 90816-*3**/*5**
 VIEWED FROM COMPONENT SIDE
 6CKT PART SHOWN FOR REFERENCE

90816-***26	26	38.80	31.75	35.60
90816-***24	24	36.26	29.21	33.06
90816-***22	22	33.72	26.67	30.52
90816-***20	20	31.18	24.13	27.98
90816-***18	18	28.64	21.59	25.44
90816-***16	16	26.10	19.05	22.90
90816-***14	14	23.56	16.51	20.36
90816-***12	12	21.02	13.97	17.82
90816-***10	10	18.48	11.43	15.28
90816-***08	8	15.94	8.89	12.74
90816-***06	6	13.40	6.35	10.20
90816-***04	4	10.86	3.81	7.66
PART NO.	NUMBER OF CKTS	DIM. E	DIM. F	DIM. G

SEE SHEET 1 EC NO: IPG2013-0901 TDR:DBBYRNES 2012/07/25 CHKD:DMAHER 2013/01/22 APPR:ST.GRIFFIN 2013/01/23	QUALITY SYMBOLS	GENERAL TOLERANCES (UNLESS SPECIFIED)	DIMENSION STYLE	SCALE	DESIGN UNITS	THIRD ANGLE PROJECTION	
	▽=0 ∇=0	mm INCH 4 PLACES ± --- ± --- 3 PLACES ± --- ± --- 2 PLACES ± 0.25 ± --- 1 PLACE ± 0.35 ± --- ANGULAR ± 2 °	MM ONLY	5:1	METRIC		
			DRAWN BY: D.BYRNES CHECKED BY: JDWALLACE APPROVED BY: EFOLAN DATE: 2008/08/16 DATE: 2008/08/26 DATE: 2010/11/04	TITLE	PICO FLEX SMT LATCHED HEADER		
		DRAFT WHERE APPLICABLE MUST REMAIN WITHIN DIMENSIONS	SEE SHEET 1	MATERIAL NO. DOCUMENT NO.	MOLEX INCORPORATED	SHEET NO. 2 OF 2	

THIS DRAWING CONTAINS INFORMATION THAT IS PROPRIETARY TO MOLEX INCORPORATED AND SHOULD NOT BE USED WITHOUT WRITTEN PERMISSION

X-ON Electronics

Largest Supplier of Electrical and Electronic Components

Click to view similar products for [Headers & Wire Housings](#) category:

Click to view products by [Molex](#) manufacturer:

Other Similar products are found below :

[95000-104TRLF](#) [10135584-644402LF](#) [DF62W-EP2022PCA](#) [95000-106TRLF](#) [DF62W-2022SCA](#) [DF62W-EP2022PC](#) [2203348](#) [DF62W-2022SC](#) [1084018](#) [1029039](#) [1084017](#) [802-10-012-10-002000](#) [1112640](#) [1112639](#) [891-007-9SS-BST1T](#) [000-34000](#) [0008550134](#) [0009482033](#) [0009507031](#) [57102-F02-18ULF](#) [57102-S06-03LF](#) [57202-S52-04LF](#) [PCN6-15S-2.5E](#) [0039019024](#) [58102-G61-06LF](#) [582553-1](#) [0009485154](#) [0009508121](#) [0022285053](#) [0050291907](#) [018731A](#) [LY20-4P-DT1-P1E-BR](#) [02.125.8002.8](#) [60101931](#) [60598-1 \(Cut Strip\)](#) [M1625-3R/100](#) [61062-3](#) [61082-181009](#) [CSU011177004](#) [636-1427](#) [638009-1](#) [641938-9](#) [641991-4](#) [644168-1](#) [644827-2](#) [647662-1](#) [65039-019ELF](#) [65692-001LF](#) [65781-018](#) [65781-047](#)